

iMedia FlipTop Computer & Video Center



- > Flush-mount tabletop multimedia interface
- > Streamlined user controls for foolproof operation
- > iMedia Transport for fast and easy single-cable installation
- > Supports XGA resolution up to 84 feet, UXGA maximum up to 34 feet
- > Supports composite video signals
- > Easy pull-out cables and AC power outlet
- > Complete system setup in minutes using iMedia Wizard Software

Crestron's iMedia provides an extremely simple and affordable multimedia presentation solution for small conference rooms and training rooms. No comparable solution comes close to matching iMedia's speed and ease of installation, intuitive operation, and incredibly low cost.

The iMedia Transport—The iMedia transport utilizes a single CAT5e+ type cable to transmit computer RGB, video, and stereo audio signals to a single projector or plasma display. A typical XGA signal (1024 X 768 pixels at 60Hz) can be transmitted up to 84 feet using iMedia, while higher resolutions up to 1600 x 1200 can be handled over shorter distances. Audio is transmitted digitally at 20-bit, 48 kHz resolution. Control and power signals are also contained on the same wire, eliminating the need for separate control or power cables.

FlipTop Multimedia Interface—The IM-FTCCV-B is an iMedia (IM) transmitter designed to install flush in a tabletop surface to provide a convenient and low-profile interface solution. Beneath the "FlipTop" lid, a recessed compartment contains easy pull-out RGB, composite video, and stereo audio cables to facilitate the connection of a computer or AV source. The cables stow neatly within the compartment when not in use. Excess cable simply drops out-of-sight below the box through grommets provided in the bottom plate. An additional hole is available to accommodate a third-party LAN cable if needed.

For complete connectivity, the IM-FTCCV-B also includes an AC power receptacle. Installing wiring for the IM-FTCCV-B is extremely simple requiring just a single CresCAT-IM cable. Up to three IM-FTCCV-B's, or other IM transmitters, may be installed as part of a complete system to provide multiple input locations within the room.

Foolproof Operation—Every iMedia system is easy and intuitive to use. A single press of the VIDEO or PC buttons inside the compartment selects the appropriate input, turns on the projector (or plasma, etc.), lowers the screen or lift, and routes all the signals where they need to go. The front panel volume control affords easy adjustment of the audio level, and the entire system can be turned off at any time by simply holding down either button for 5 seconds.

For systems having more than one IM transmitter, selecting an input at a given input location overrides the previously selected input at any other location. The audio level for each input location is controlled individually by its respective volume control.

SPECIFICATIONS

RGB

Gain: 0dB (75 ohm termination)

Formats: RGBHV, RGBS, or RG_SB

Resolution: 1024 x 768 @ 60Hz with maximum cable length of 84 feet, 1600 x 1200 @ 60Hz with maximum cable length of 34 feet; see manual for other resolutions

Video

Gain: 0dB (75 ohm termination)

Formats: 480i (NTSC), 576i (PAL)

Audio

A-D Conversion: 20-bit, 48 kHz

Frequency Response: 20Hz to 20kHz ±1dB

Connectors - Front Panel

125V: (1) 3-prong grounded AC socket, AC power pass-thru outlet
Maximum Load: 10 Amps @ 125 Volts AC, 50/60 Hz

Connectors - Bottom Panel

VIDEO: (1) RCA female, composite video input
Input Impedance: 75 ohms

Maximum Input: 1 V_{P-P}

Connects to 6 ft RCA video patch cable (included)

AUDIO R & L: (2) RCA female

Unbalanced stereo line-level audio input (linked with VIDEO)

Maximum Input Level: 2 V_{RMS}

Input Impedance: 10k ohms

Connects to 6 ft RCA stereo audio patch cable (included)

PC: (1) DB15HD female, RGB(VGA) input

Formats: RGBHV, RGBS, RG_SB

Input Impedance: 75 ohms

Sync Impedance: 1k ohms

Maximum Input Level: 1 V_{P-P}

Maximum Sync Level: 5 V_{P-P}

Connects to 6 ft VGA patch cable (included)

AUDIO: (1) 3.5mm TRS mini phone jack

Unbalanced stereo line-level audio input (linked with PC)

Maximum Input Level: 2 V_{RMS}

Input Impedance: 10k ohms

Connects to 6 ft mini-TRS audio patch cable (included)

IM: (1) 8-wire RJ45 female, iMedia output port

Connects to IM input port of an iMedia receiver via CresCAT-IM cable*

G: (1) 6-32 screw, chassis ground lug

125V: (1) 6 ft grounded AC line cord, passes through to front panel AC power outlet

Controls & LED Indicators

PC: (1) Momentary pushbutton with green LED

Momentary press initiates "system power on" command and selects local PC input; press and hold for 5 seconds or more initiates "system power off"

VIDEO: (1) Momentary pushbutton with green LED

Momentary press initiates "system power on" command and selects local VIDEO input; press and hold for 5 seconds or more initiates "system power off"

VOLUME: (1) Rotary knob, adjusts audio level for local input

Power Requirements

Power is provided by the IM receiver via the IM transport

Environmental

Temperature: 41° to 104°F (5° to 40°C)

Humidity: 10% to 90% RH (non-condensing)

Enclosure

Black metal; flush tabletop mountable

Dimensions

Height: 4.63 in (11.76 cm) – with lid closed

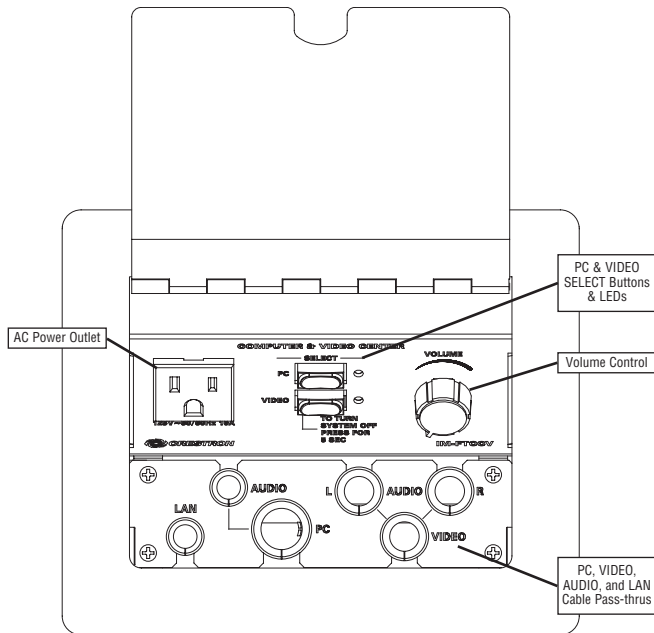
Width: 6.84 in (17.38 cm)

Depth: 5.62 in (14.28 cm) – without mounting brackets

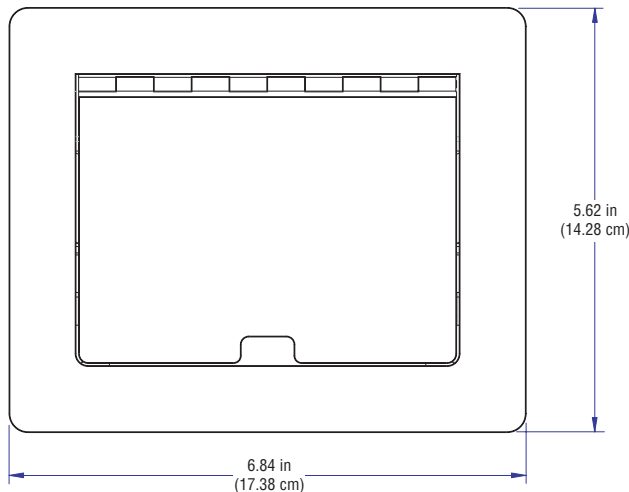
Weight

3.65 lbs (1.66 kg) – with cables

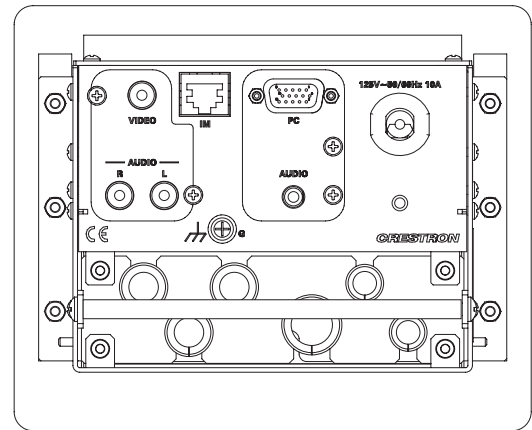
* For iMedia use CresCAT-IM cable, or quality CAT5e/CAT6 cable having a maximum delay skew of 15ns per 100m.



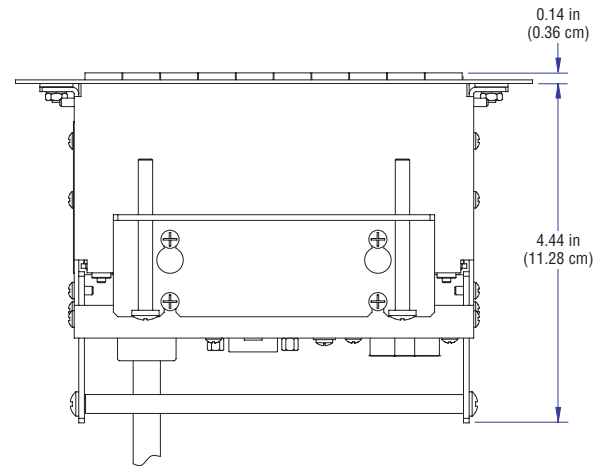
Top View – Lid Open



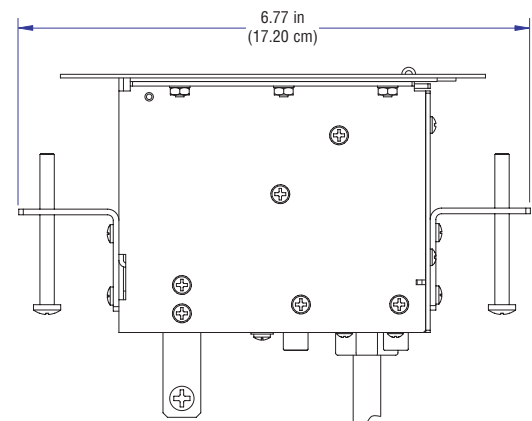
Top View – Lid Closed



Bottom View



Front View – with Mounting Brackets



Right Side View – with Mounting Brackets