

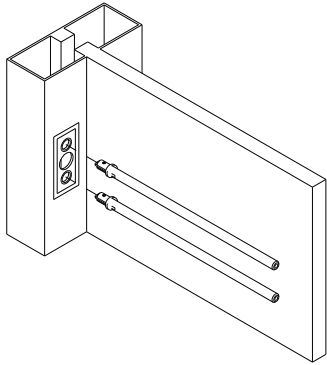
TSS-752-MUMK

Mullion Mount Kit for TSS-752

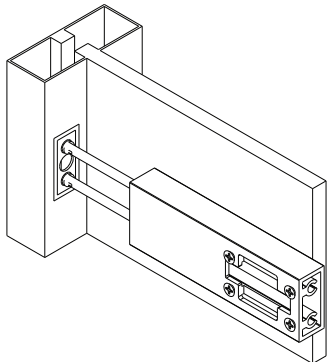
DO Install the Device

To install the Crestron® TSS-752-MUMK Mullion Mount Kit for the TSS-752 Touch Screen, use the following procedure:

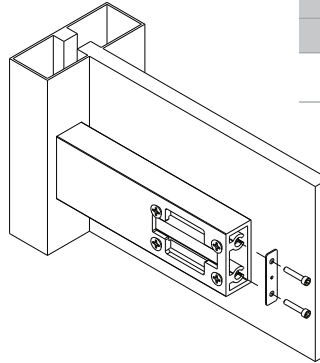
1. Use the included cutout template to drill the three required holes in the desired location on the mullion. Then, route the LAN cable through the mullion so it exits the center hole.
2. Insert the included toggle bolt rods into the top and bottom holes. Rotate the rods to ensure the toggles engage the mullion so the rods cannot be pulled out.



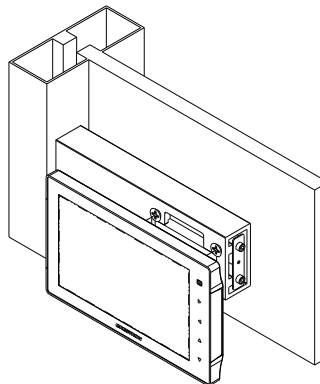
3. Place two of the included O-rings onto each of the toggle rods and slide the O-rings up against the mullion.
4. Thread the LAN cable from the center hole into the mullion mount and out through the opening where the touch screen will be mounted. Then, slide the mullion mount fully onto the toggle rods so it is in contact with the mullion.



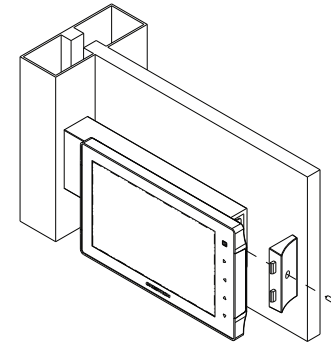
5. Use the included metal locking plate and the two included 08-32 x 5/8" screws to secure the mullion mount. (These screws require a #8 socket.)



6. Connect the LAN cable to the touch screen. Then, attach the TSS-752 to the mullion mount by carefully positioning it over the four screws protruding from the front of the mullion mount. Slide the TSS-752 toward the mullion until the touch screen clicks into place.



7. Use the included plastic end cap and 06-32 x 3/8" screw to secure the TSS-752 to the mullion mount. (This screw requires a #6 socket.)



DO Check the Box

QTY	PRODUCT	COLOR	PART NUM.
2	Toggle Bolt Rods		4519421
1	Metal Locking Plate		2039515
1	Plastic End Cap ¹	Black	4520157
1	Plastic End Cap ²	White	4520156
2	Screws, 08-32 x 5/8", Socket Head		2042086
1	Screw, 06-32 x 3/8", Socket Head ¹	Black	2007226
1	Screw, 06-32 x 3/8", Socket Head ²	Zinc	2007230
4	Rubber O-Rings		2040538
1	Allen Wrench, 7/64"		2021068
1	Overlay Template		4520158

1. This part ships with the TSS-752-MUMK-B-S.
2. This part ships with the TSS-752-MUMK-W-S.

DO Learn More

Visit the website for additional information and the latest firmware updates.

Crestron Electronics
15 Volvo Drive, Rockleigh, NJ 07647
888.CRESTRON | www.crestron.com



The specific patents that cover Crestron products are listed at patents.crestron.com.

The product warranty can be found at www.crestron.com/warranty.

Crestron and the Crestron logo are either trademarks or registered trademarks of Crestron Electronics, Inc. in the United States and/or other countries. Other trademarks, registered trademarks, and trade names may be used in this document to refer to either the entities claiming the marks and names or their products. Crestron disclaims any proprietary interest in the marks and names of others. Crestron is not responsible for errors in typography or photography.

This document was written by the Technical Publications department at Crestron.

©2015 Crestron Electronics, Inc.