

ULTIMATE ASUB10-B-T-EACH

Ultimate 10 in. Active Subwoofer, Black Textured, Single



- *Audiophile quality active subwoofer*
- *Wall mount or floorstanding installation options*
- *Low profile (as low as 4.6 in. without grille) - fits under or behind furniture*
- *200 W program (400 W peak) built-in power amplifier*
- *10 in. carbon fiber woofer*
- *35 Hz to 175 Hz (± 3 dB) frequency response*
- *Built-in adjustable low pass filter with a bypass switch*
- *Auto On/Trigger switch allows the amplifier wake-up to be driven by audio or an external voltage trigger*
- *Wireless signal extender ([SPKA-EXT-WIRELESS](#) - sold separately) allows greater placement flexibility*

The Crestron® Ultimate subwoofer made by Origin Acoustics delivers the pinnacle of performance for demanding residential installations.

The [ULTIMATE ASUB10-B-T-EACH](#) is an active subwoofer with a built-in 200 W (program output) amplifier, designed to produce deep, gratifying bass as a complement to Crestron Ultimate and Reference residential speakers. An internal, adjustable low pass filter with a bypass switch allows the subwoofer to be connected to a broad range of A/V sources. The Auto On/Trigger Switch on the subwoofer allows the built-in amplifier to either turn on based off audio signal detection or an external +12V trigger signal. A polarity switch also reduces phase coherence issues between the subwoofer and satellite speakers.

Designed for unobtrusive installation, the [ULTIMATE ASUB10-B-T-EACH](#) can be hidden behind furniture - a total depth as low as 4.6 in. makes installation extremely flexible. Wall mounting hardware, an optional rectangular grille, and rubber feet are included to cover all supported installation methods. Each rubber foot has a carved out channel for either the AC power cord or the RCA input cable, allowing for improved cable management.

The [SPKA-EXT-WIRELESS](#) wireless signal extender kit is available (sold separately) for applications where running a line-level cable is not practical. The wireless receiver is shallow enough to fit under the subwoofer grille and is powered by the subwoofer's built-in +5V USB power supply. The transmitter

can be placed up to 131 ft. (40 m) away from the receiver, with a transmission latency of less than 16 ms.

Specifications

Features and Performance

Woofer	10 in. Carbon Fiber
Frequency Response	35 to 175 Hz (± 3 dB)
Power RMS	200 W
Power Peak	400 W
Enclosure	Aluminum Cabinet

Connections

Line In (LFE/NAX)	(1) RCA connector, female; Stereo line-level input; Maximum Input Level: 2Vrms
Line Out	(1) RCA connector, female; Stereo line-level output; Maximum Output Level: 2Vrms
Trigger In	+12V signal; From external source; Wakes internal amplifier from standby mode if Auto On/Trigger switch is set to Trigger
AC Power Connection	100-240V, 50/60 Hz; 200 W
Power Supply (USB)	(1) USB 2.0 Type A connector, female; Provides up to 5V 500mA power for the optional SPKA-EXT-WIRELESS kit.

Controls and Indicators

Power LED	(1) LED; White indicates subwoofer is switched on; Red indicates subwoofer is in standby mode; No light indicates subwoofer is off, either from lack of AC power or from power switch being set to OFF
Power Switch	(1) Two-position switch; ON sets internal amplifier to either on or standby mode, depending on signal detection; OFF turns off internal amplifier
LFE/NAX and Crossover Switch	(1) Two-position switch; LFE/NAX mode bypasses internal low pass filter; Crossover mode enables internal low pass filter at the crossover point set by the Crossover knob

ULTIMATE ASUB10-B-T-EACH

Ultimate 10 in. Active Subwoofer, Black Textured, Single

Auto On/Trigger Switch	(1) Two-position switch; Auto mode turns the subwoofer's internal amplifier on automatically when an audio signal is detected at the Line In input; When no signal is detected for 23 min, the amplifier enters standby mode Trigger mode turns the internal amplifier on only if a +12V signal is detected from the Trigger In input
Polarity Switch	(1) Two-position switch; Either maintains (0°) or inverts (180°) the polarity of the incoming audio signal
Volume Knob	(1) Rotary knob; Adjusts subwoofer volume; Full clockwise position is full volume, full counterclockwise position is full attenuation
Crossover Knob	(1) Rotary knob; Adjusts low pass center frequency point from 50 to 175 Hz; Only functional with LFE/NAX and Crossover switch set to Crossover

Environmental

Temperature	4° to 176° F (-15.5° to 80° C)
Humidity	10% to 95% RH (non-condensing)

Construction

Baffle	ABS
Grille	Powder coated steel
Mounting	Wall mount or floorstanding (mounting hardware and feet included)
Wall Mount	Powder coated steel
Mounting Feet	Rubber

Subwoofer Dimensions

Height without feet	14.57 in. (370 mm)
Height with feet	15.20 in. (386 mm)
Width	15.75 in. (400 mm)
Depth without Grille	3.54 in. (90 mm)
Depth without Grille (with Wall Mount)	4.60 in. (117 mm)
Depth with Grille	4.69 in. (119 mm)

Grille Dimensions

Length	14.57 in. (370 mm)
Width	15.75 in. (400 mm)

Weight

21.21 lb (9.6 kg)

Compliance

Regulatory Model: M202046010
FCC-Class-B, IC-Class-B, CE, WEEE

To search for product certificates, refer to support.crestron.com/app/certificates.

Model

ULTIMATE ASUB10-B-T-EACH

Ultimate 10 in. Active Subwoofer, Black Textured, Single

Available Accessories

For a list of available accessories, visit the [ULTIMATE ASUB10-B-T-EACH](#) product page.

This product may be purchased from select authorized Crestron dealers and distributors. To find a dealer or distributor, please contact the Crestron sales representative for your area. A list of sales representatives is available online at www.crestron.com/How-To-Buy/Find-a-Representative or contact us for additional information by visiting www.crestron.com/contact/our-locations for your local contact.

The original language version of this document is U.S. English. All other languages are a translation of the original document.

The product warranty can be found at www.crestron.com/warranty.

The specific patents that cover Crestron products are listed online at www.crestron.com/legal/patents.

Certain Crestron products contain open source software. For specific information, please visit www.crestron.com/opensource.

Crestron, and the Crestron logo are either trademarks or registered trademarks of Crestron Electronics, Inc. in the United States and/or other countries. Other trademarks, registered trademarks, and trade names may be used in this document to refer to either the entities claiming the marks and names or their products. Crestron disclaims any proprietary interest in the marks and names of others. Crestron is not responsible for errors in typography or photography.

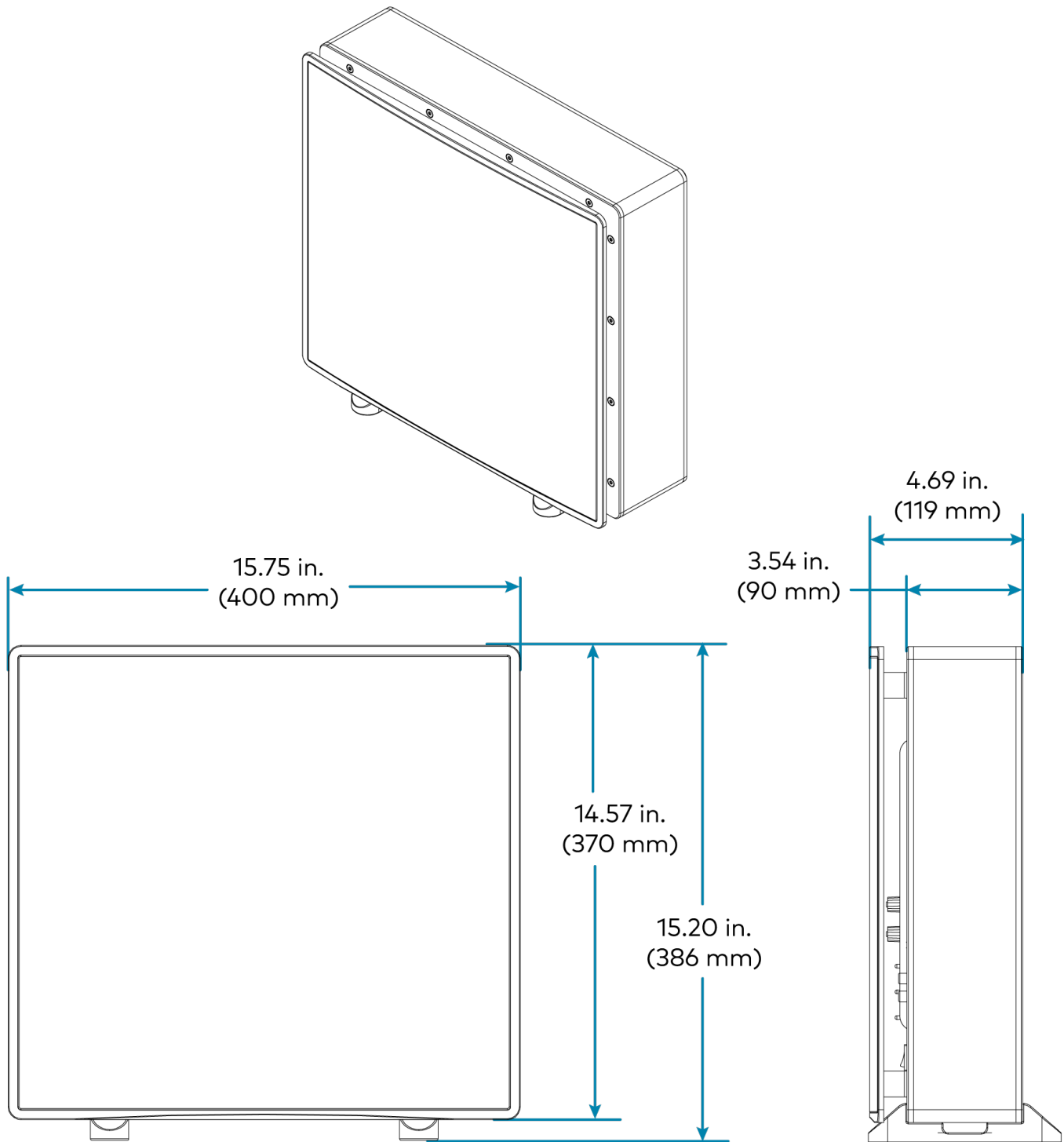
Specifications are subject to change without notice.

©2024 Crestron Electronics, Inc.

Rev 06/21/24

ULTIMATE ASUB10-B-T-EACH

Ultimate 10 in. Active Subwoofer, Black Textured, Single



ULTIMATE ASUB10-B-T-EACH

Ultimate 10 in. Active Subwoofer, Black Textured, Single

