

UC-MX50-NC-Z

Crestron Flex Advanced Tabletop Medium Room Conference System for Zoom Rooms® Software



- *Tabletop conferencing solution for Zoom Rooms® software*
- *Present, call, conference, and collaborate using your own device's UC conference platform (BYOD) or the native Zoom Rooms® platform*
- *Native Zoom Rooms® touch screen UI provides a consistent, simple user experience with one-touch meeting joins*
- *Complete kit contains a Crestron Flex tabletop conference device, UC bracket assembly, power supply, and cables — just add a display and mount*
- *Easy to specify and install — no custom design, programming, or software installation required*
- *Network management and provisioning and system alerts through the XiO Cloud® service*
- *Premium-level support with Crestron Flex Care (optional)*
- *Enterprise-grade security — connects and communicates securely over any enterprise or SMB (Server Message Block) network*
- *Supports single or dual video displays (not included)*

The UC-MX50-NC-Z Crestron Flex advanced tabletop conferencing system provides a medium room conference solution for use with Zoom Rooms® software. It supports single or dual video displays¹ (not included) and features a Crestron Flex tabletop conference device, UC bracket assembly, power supply, and cables.

Native Zoom Rooms® Software Experience

The UC-MX50-NC-Z system features Zoom Rooms conferencing software that enables audio and video connectivity for easy collaboration and content sharing.

Intuitive User Interface with Impressive Audio

With a large 7 in. HD color touch screen and an integrated AEC-enabled USB speakerphone that affords full-duplex wideband audio performance, the Crestron Flex Tabletop Conference device (CCS-UC-1-X) provides a superior conferencing and collaboration experience for meeting rooms, huddle spaces, and executive offices.

Simplified Deployment

To simplify installation, the UC Bracket Assembly provides preassembled components on one ready-to-mount bracket. The assembly can be mounted on a wall, or it can be attached to the rear of the display device.

High-Definition Video Conferencing

High-definition video conferencing is supported by using the following Crestron 1 Beyond cameras: [IV-CAMHK-12-SLVR-1B](#), [IV-CAM-P12](#) and [IV-CAM-P20](#). Zoom Rooms software certified third-party cameras are also compatible with the system.

Bring Your Own Device (BYOD)

Conference room visitors can connect their laptop to the Crestron Flex system to use their own UC conference platform. The system's built-in content ingest device switches to the connected laptop's UC platform and returns to the native platform when disconnected.

Enterprise-Grade Security

Crestron Flex is an enterprise-grade solution that is equipped for mass deployment throughout any sized corporate, university, medical, military, or government facility.

Easy Provisioning and Device Management

The XiO Cloud® service is an IoT cloud-based provisioning service (available separately) that enables installers and IT managers to easily deploy and manage thousands of devices. The XiO Cloud service provides system alerts, network management and provisioning, and the pairing of a control device to the system's UC Engine. System updates are controlled by Windows® software update.

Visit www.crestron.com/xiocloud for additional information.

Premium-Level Support

Crestron Flex Care is an optional subscription service that automatically renews annually, providing 24/7 live remote technical support, an extended five year warranty on Crestron® branded hardware, expedited advance replacements, and a discounted rate for onsite support.

Visit www.crestron.com/flexcare for detailed terms and conditions and additional information.

Deployment Resources

View the [Crestron Flex Pre-Deployment Checklist](#) to help plan your Crestron Flex installation.

UC-MX50-NC-Z

Crestron Flex Advanced Tabletop Medium Room Conference System for Zoom Rooms® Software

Specifications

Included Components

CCS-UC-1-X	Crestron Flex tabletop conferencing device: <ul style="list-style-type: none">PW-2420RU: Universal power supply and power cordCable, CAT5e, RJ-45-to-RJ-45, 12 ft (3.66 m);Cable management hardware
UC-BRKT-260-P-Z-ASSY	UC Bracket Assembly comprised of: <ul style="list-style-type: none">UC Engine: Mini PC with Zoom Rooms videoHDMI® over CAT5 to USB 3.0 converter for content ingestMounting hardware
CBL-4K-DP-HD-6	DisplayPort™ to HDMI Cable, 6 ft (1.8 m); secondary display
CBL-CAT5E-7	Ethernet LAN cable for UC Engine, RJ-45-to-RJ-45, black, 7 ft (2.1 m)
CBL-HD-6	HDMI Interface Cable, 6 ft (1.8 m); primary display
CBL-HD-THIN-HS-6	Thin HDMI cable, Type A male-to-male, 6 ft (1.8 m); content sharing
CBL-USB-A-BMICRO-6	USB Cable, USB Type A Male to Micro-B Male cable, 6 ft (1.8 m)
CBL-USBC-USBA-6	USB 3.0 Cable, Right angle USB-C® to A, 6 ft (1.8 m)
DM-CBL-ULTRA-PC-20	(2) Ethernet LAN cable, CAT6a, RJ-45-to-RJ-45, blue, 20 ft (6.1 m)
UC-CAM-WMK	Wall Mount Kit for Crestron® Cameras

Crestron Flex Tabletop Conferencing Device

Touch Screen	7 in. (178 mm) diagonal capacitive multi-touch TFT active matrix color LCD, 1280 x 800 pixels
UI	Zoom Rooms UI
Mic Mute Symbol and Light Bar	(2) Capacitive buttons with bi-color LEDs, either button toggles between mute and unmute

AEC	Limes Audio TrueVoice® acoustic echo cancellation, automatic mic mixing, automatic gain control, and dynamic noise reduction, full-duplex IEEE 1329 Type 1 compliant
Speaker	Full range speaker; Amplifier Power: 11 W; 95 dB SPL at 0.5 m maximum output; Frequency Response: 90 Hz to 22 kHz
Microphones	360° quad mic array; Pickup Range (typical): 20 ft (6 m)
Extension Microphones	Supports two mic pods, model CCS-UCA-MIC (sold separately)
Occupancy Sensor	6 ft (1.83 m) PIR range in front of touch screen
Ethernet	100 Mbps, autoswitching, autonegotiating, autodiscovery, full/half duplex, DHCP, TCP/IP, UDP/IP, CIP, SSL, TLS, SSH, SFTP (SSH File Transfer Protocol), SRTP, IEEE 802.1X, Active Directory® authentication, digest access authentication, password login, XiO Cloud service, Microsoft Intune® client
USB	USB 2.0 micro Type B device port, supports UAC for audio interface to UC Engine (cable included)
Power	24VDC via external 100-240VAC, 50/60 Hz power pack, model PW-2420RU

NOTE: The CCS-UC-1-X cannot be powered by Power over Ethernet or PoE+.

Dimensions	Height: 4.11 in. (104 mm) Width: 8.92 in. (227 mm) Depth: 12.74 in. (324 mm)
Weight	5.5 lb (2.5 kg)

UC Bracket Assembly

UC Engine	Mini PC, Intel Core® processor, with Windows® 11 IoT Edition OS and 100/1000 Mbps Ethernet connectivity
UC Client	Zoom Rooms software
Management Client	XiO Cloud Service
Content Ingest	HDMI input via CAT5 to USB 3.0 converter
Display Output	Single or dual displays supported ¹
Display Output Resolution	1080p

UC-MX50-NC-Z

Crestron Flex Advanced Tabletop Medium Room Conference System for Zoom Rooms® Software

Power	UC Engine: 100-240VAC, 50/60 Hz adapter (included); CAT5 to USB 3.0 converter: 24VDC via external 100-240VAC, 50/60 Hz power pack (included)
Construction	Metal mounting bracket, black, preassembled with UC Engine and CAT5 to USB 3.0 content ingest device
Mounting	Surface wall mount behind the display device, or attach to the rear of the display device via the bolts attaching the display to a VESA® compliant display mount; Bracket includes mounting holes on both side edges, spaced 100, 200, and 300 mm vertically, to allow for attachment to either side of the display mounting plate
Dimensions	Height: 15.00 in. (381 mm) Width: 14.50 in. (368 mm) Depth: 1.87 in. (48 mm)
Weight	8.0 lb (3.7 kg)

Model

UC-MX50-NC-Z

Crestron Flex Advanced Tabletop Medium Room Conference System for Zoom Rooms® Software

Available Accessories

For a list of available accessories, visit the [UC-MX50-NC-Z](#) product page.

Notes:

1. Display must support "Wake on Sync" and "Sleep on No Sync" functionality. Consult the display manufacturer's specifications or internal settings of the specific display.

The original language version of this document is U.S. English. All other languages are a translation of the original document.

This product may be purchased from select authorized Crestron dealers and distributors. To find a dealer or distributor, please contact the Crestron sales representative for your area. A list of sales representatives is available online at www.crestron.com/How-To-Buy/Find-a-Representative or contact us for additional information by visiting <https://www.crestron.com/contact/our-locations> for your local contact.

This product is covered under the Crestron standard limited warranty. Refer to www.crestron.com/warranty for full details.

The specific patents that cover Crestron products are listed online at patents.crestron.com.

Certain Crestron products contain open source software. For specific information, please visit www.crestron.com/opensource.

Crestron, the Crestron logo, and XiO Cloud are either trademarks or registered trademarks of Crestron Electronics, Inc. in the United States and/or other countries. TrueVoice is either a trademark or registered trademark of Google Inc. in the United States and/or other countries. HDMI and the HDMI Logo are either a trademark or registered trademark of HDMI Licensing LLC in the United States and/or other countries. Intel Core is either a trademark or registered trademark of Intel Corporation in the United States or other countries. Active Directory, Microsoft Intune, and Windows are either trademarks or registered trademarks of Microsoft Corporation in the United States and/or other countries. USB-C is either a trademark or registered trademark of USB Implementers Forum, Inc. in the United States and/or other countries. DisplayPort and VESA are either trademarks or registered trademarks of Video Electronics Standards Association in the United States and/or other countries. Zoom Rooms is either a trademark or registered trademark of Zoom Video Communications, Inc. in the United States and/or other countries. Other trademarks, registered trademarks, and trade names may be used in this document to refer to either the entities claiming the marks and names or their products. Crestron disclaims any proprietary interest in the marks and names of others. Crestron is not responsible for errors in typography or photography.

HDMI

Specifications are subject to change without notice.

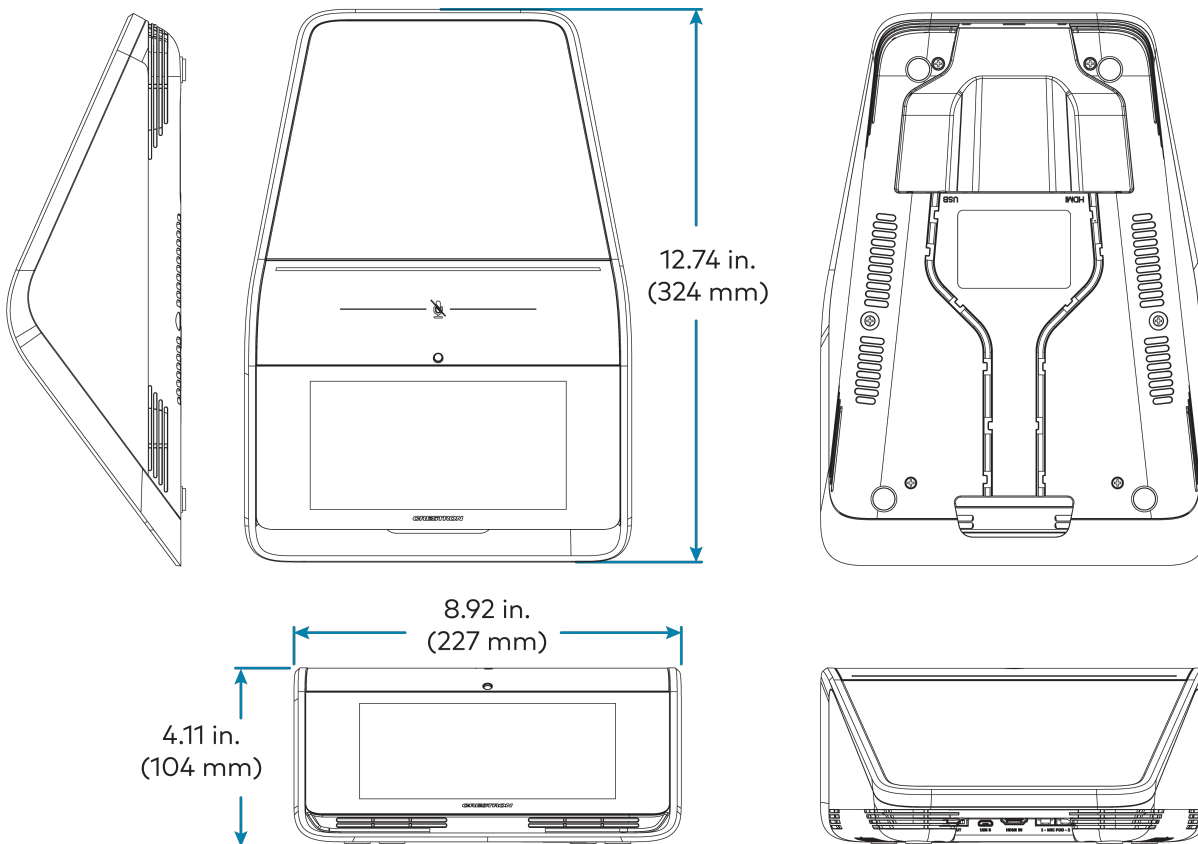
©2024 Crestron Electronics, Inc.

Rev 07/17/24

UC-MX50-NC-Z

Crestron Flex Advanced Tabletop Medium Room Conference System for Zoom Rooms® Software

Crestron Flex Tabletop Conference Device (CCS-UC-1-X)



UC-MX50-NC-Z

Crestron Flex Advanced Tabletop Medium Room Conference System for Zoom Rooms® Software

UC Bracket Assembly (UC-BRKT-260-P-Z-ASSY)

