

FlipTop™ Cable Retractors

The Crestron® [CBLR2 Series](#) FlipTop™ Cable Retractors offer a refined solution for Crestron FlipTop cable management systems. Each cable pulls out smoothly to a length of 3 ft (0.9 m) and latches in position. A second pull of the cable releases the latch and retracts the cable back into the compartment.



In the Box

- 1 CBLR2-HD, CBLR2-MDP-DP, CBLR2-VGA, CBLR2-AUDIO, CBLR2-USB, CBLR2-CAT5E, or CBLR2-VGA-AUDIO



Check the Accessories

Ensure that the mounting bracket received is appropriate for the FlipTop being modified

NOTE: The following table excludes FlipTop 600 Series models.

Mounting Bracket Assemblies	FlipTop Models
CBLRA-BRKT-3-FT 3-Position Domestic Model	FT-PWR-D, QM-FTCC, QM-FTCC-NB, QM-FTDC, QM-FTDC-NB, and QM-FTMC
CBLRA-BRKT-4-FT 4-Position Domestic Model	C2N-FTR-TPS4, C2N-FTR-TPS4-U, FT-PWR-D-LG, QM-FTCC-NB, and QM-FTCC-TPS4
CBLRAI-BRKT-4-FT 4-Position International Model	FTI-PWR-D, QMI-FTCC, QMI-FTCSC, QMI-FTDC, and QMI-FTMC

Two spacer insert models, [CBLRA-INSERT-BLANK](#) and [CBLRA-INSERT-2WIRE](#), may be used to fill unpopulated retractor slots in any of the FlipTops listed above.

FlipTop™ Cable Retractors



Prepare the FlipTop Assembly

Attaching the CBLR2 Series retractors requires modification to the FlipTop assembly, which also includes determining the desired mounting orientation. The retractors are shipped configured for vertical orientation but may be easily reconfigured for horizontal orientation.

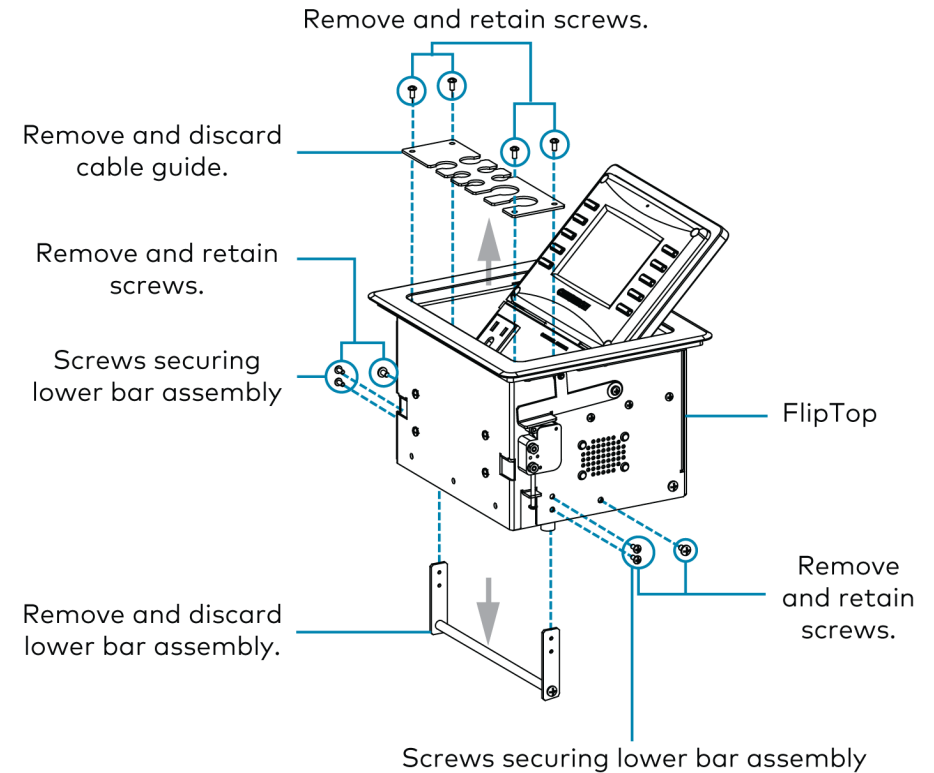
NOTE: For preparation of the FlipTop 600 Series models, refer to [Modify the FlipTop \(FlipTop 600 Series Models\)](#).

Modify the FlipTop (Excludes FlipTop 600 Series Models)

Retractors may be installed in both the left and right sides of the FlipTop 600 Series models.

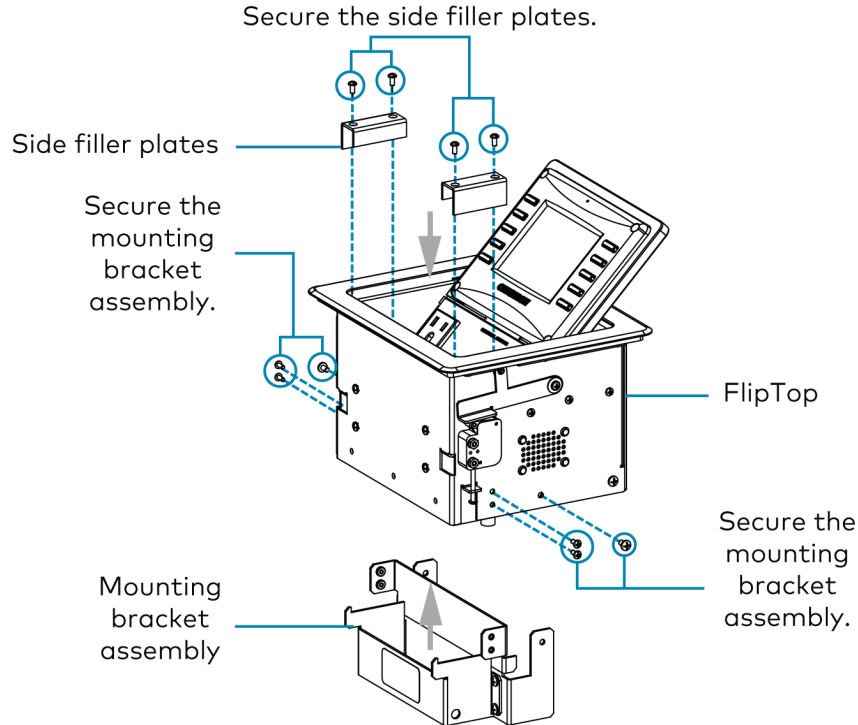
1. Remove and retain the six screws at the bottom of the assembly, including the four screws securing the lower bar assembly. The screws will be used to attach the mounting bracket assembly.
2. Remove and discard the lower bar assembly. The lower bar assembly is used with pass-through cables only.
3. Remove and retain the four screws securing the cable guide. The screws will be used to install the side filler plates.

4. Remove and discard the cable guide. The cable guide is used with pass-through cables only.

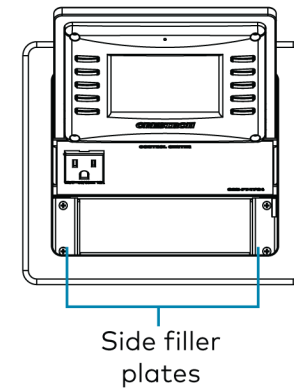
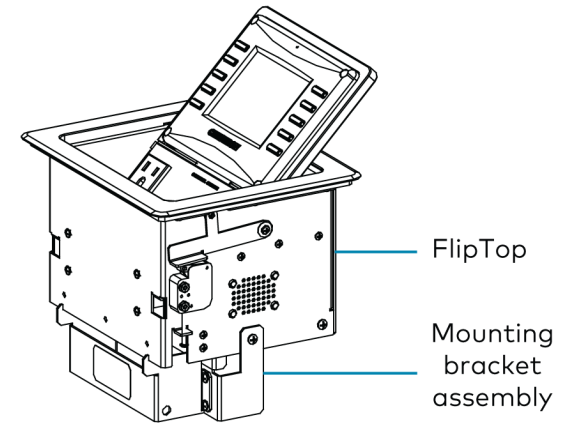


FlipTop™ Cable Retractors

5. Move the mounting bracket assembly up into position and secure the assembly using six screws removed in step 1.



6. Position the side filler plates and secure them using four screws removed in step 3.



FlipTop™ Cable Retractors

Modify the FlipTop (FlipTop 600 Series Models)

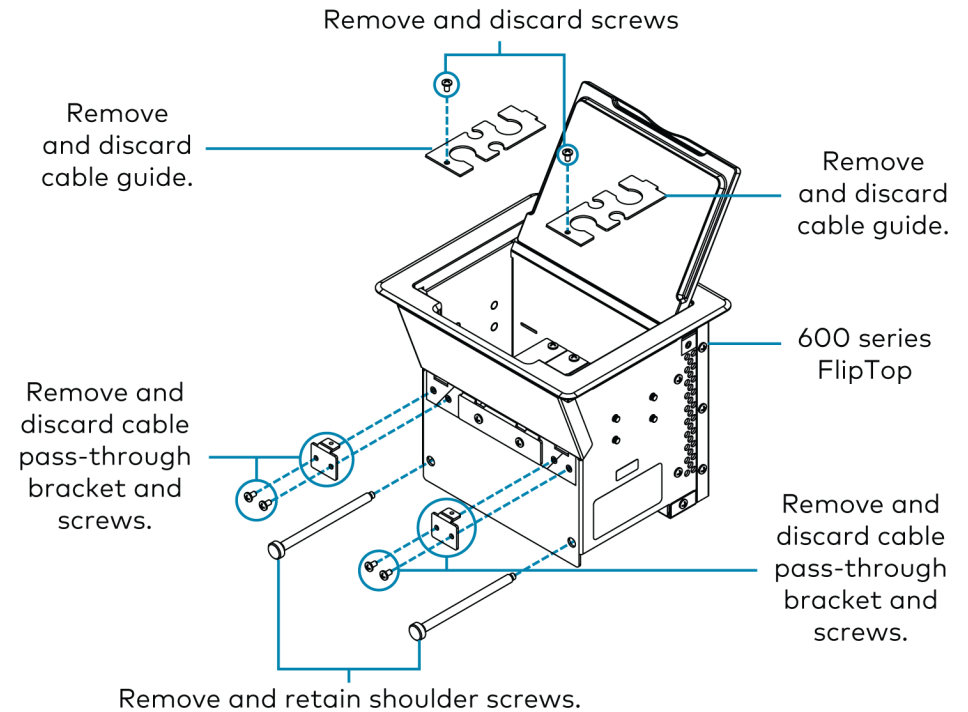
Retractors may be installed in both the left and right sides of the FlipTop 600 Series models.

1. Remove and discard the following parts:

- The screws securing the cable guides
- The cable guides
- The screws securing the cable pass-through brackets
- The cable pass-through brackets

NOTE: The cable guides and the cable pass-through brackets are used with pass-through cables only.

2. Remove and retain the shoulder screws from the front of the 600 Series FlipTop. The shoulder screws are used to install the cable retractors. Refer to [Attach the Cable Retractors to the FlipTop \(FlipTop 600 Series Models\)](#).

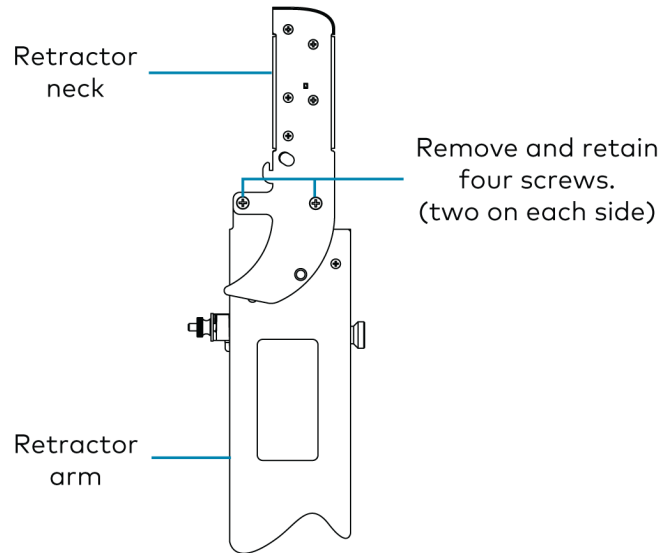


FlipTop™ Cable Retractors

Reconfigure the Retractors for Horizontal Operation

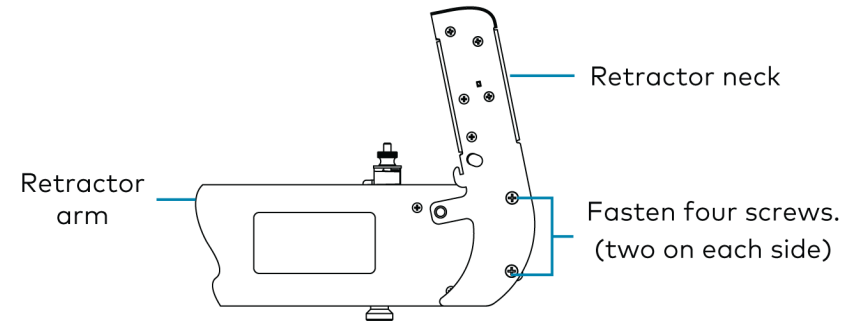
The retractors are shipped configured for vertical orientation. If the vertical space beneath the table is limited, the retractors may be reconfigured for horizontal orientation by following the steps below.

1. Remove and retain the four screws, two screws on each side, that secure the retractor neck to the retractor arm.



2. Pivot the retractor neck so that the neck is perpendicular to the retractor arm.

3. Using the four screws removed from step 1, secure the retractor neck.

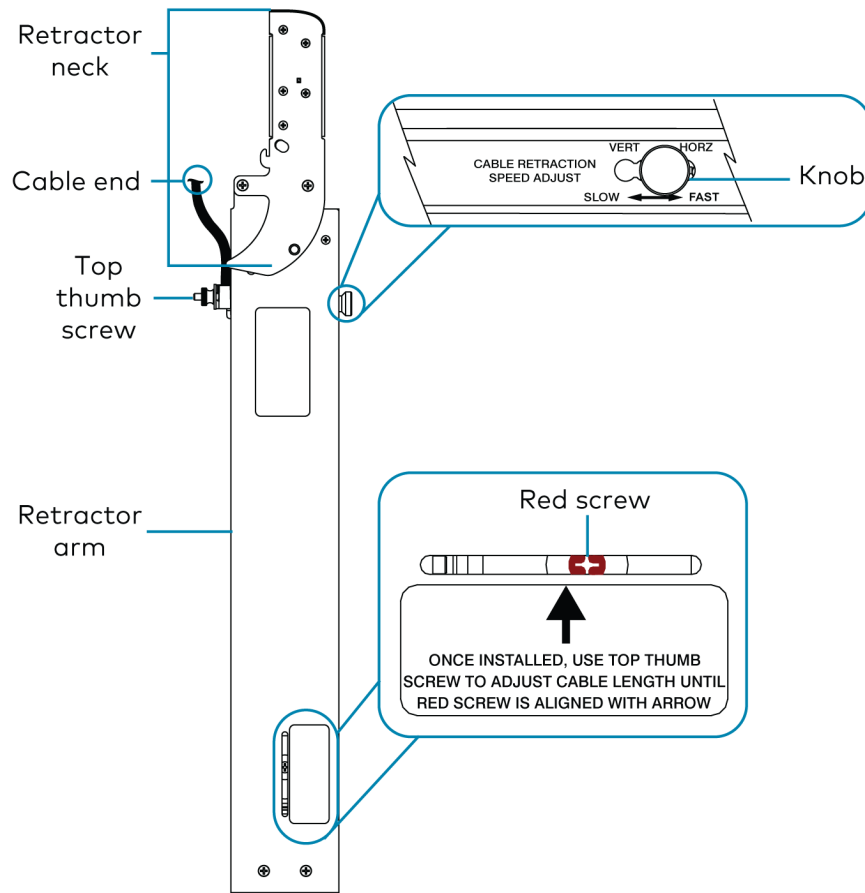


FlipTop™ Cable Retractors



Adjust the Retractor

When the retractor arm is in the desired orientation, the retractor arm tension and the cable retraction speed may be adjusted (vertical orientation shown below).

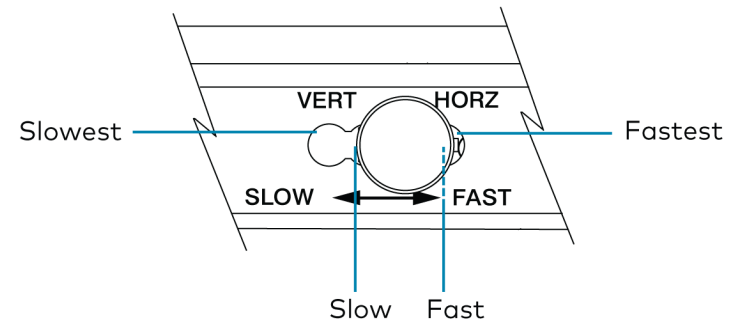


Adjust the Retractor Tension

1. Loosen the top thumb screw enough so that the adjacent cable end may move freely.
2. Align the red screw with the arrow on the label.

Adjust the Cable Retraction Speed

The Cable Retraction Speed Adjust knob may be set in one of four positions: slowest, slow, fast, and fastest.



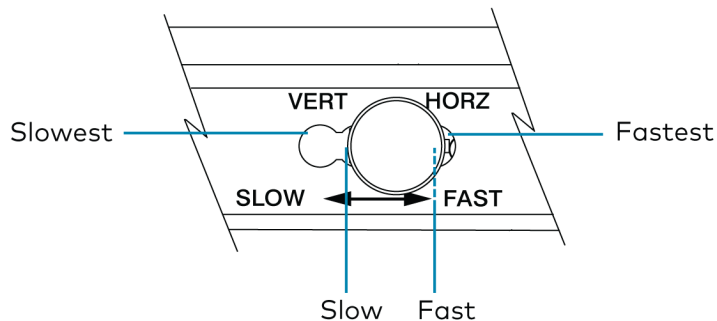
When the cable retractor arm is in the vertical orientation, the cable retracts quickly. When the cable retractor arm is in the horizontal orientation, the cable retracts slowly as it turns the corner of the retractor neck to the retractor arm. Refer to [Setting the Cable Retraction Speed](#) on the next page.

FlipTop™ Cable Retractors

Setting the Cable Retraction Speed

The cable retraction speed must be set before installing the cable retractor.

1. Pull the cable (connector end) out so it is fully extended.
2. Pull the cable a second time to initiate retraction, and observe the speed as the cable retracts back into the arm.
3. If the cable retracts at the desired speed, then no other action is required. If the cable retraction speed is too fast or too slow, move the knob to the next position appropriate for the arm orientation.
 - a. Pull the Cable Retraction Speed Adjust knob outward and move the knob to the next position appropriate for the arm orientation.
 - For a retractor arm in the vertical orientation, the outermost left position is the slowest speed that the cable will retract. The inner left position is not as slow.
 - For a retractor arm in the horizontal orientation, the outermost right position is the fastest speed that the cable will retract. The inner right position is not as fast.
 - b. Recheck the speed starting from step 1.



Install the Retractors

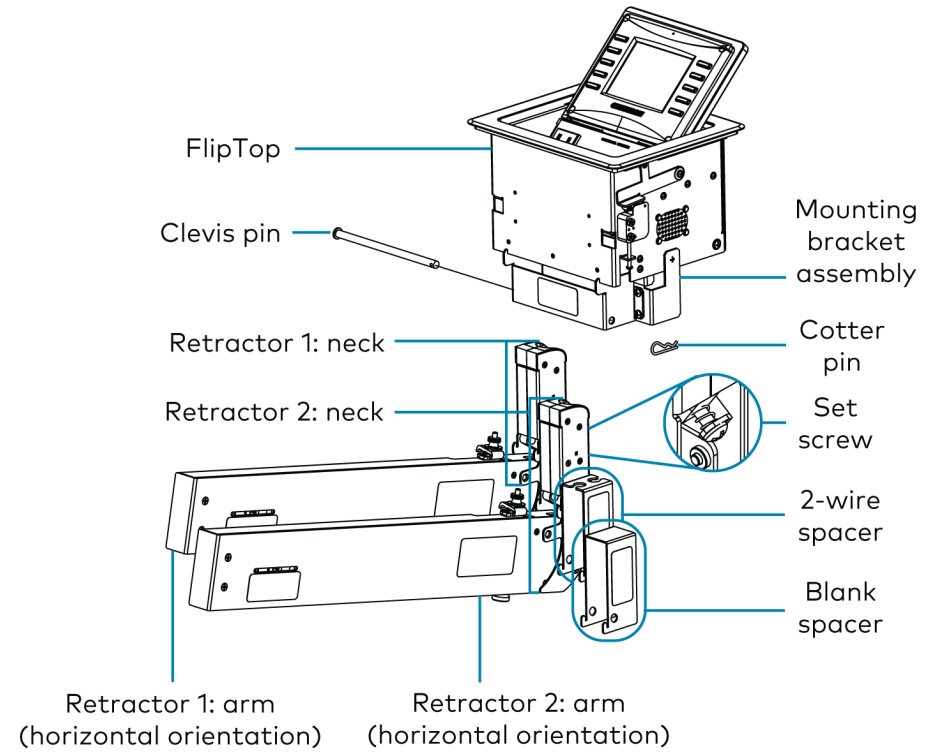
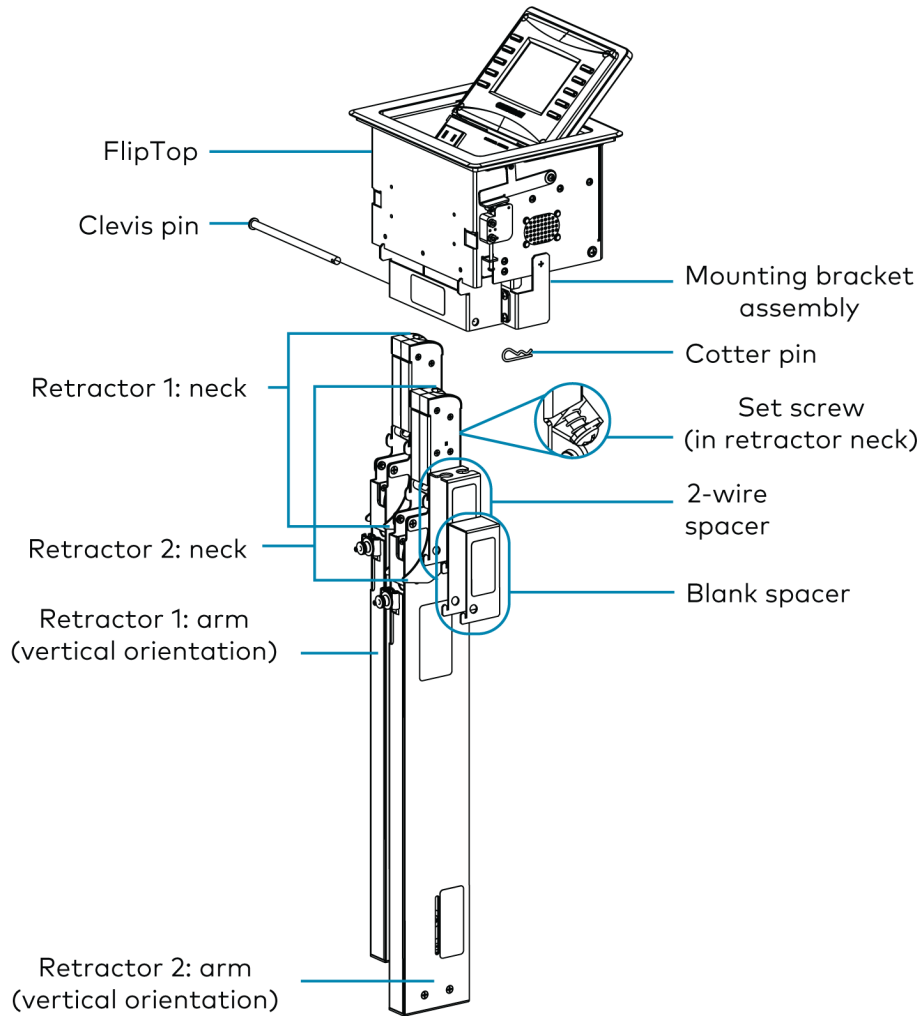
Cable retractor installation consists of attaching the cable retractors to the FlipTop assembly.

Attach the Cable Retractors to the FlipTop (Excludes FlipTop 600 Series Models)

1. Insert the retractor necks and any included spacers up and into the mounting bracket assembly until the necks and spacers engage the frame of the FlipTop assembly.
2. Carefully slide the clevis pin through the hole in the side at the bottom of the mounting bracket assembly and then through each retractor and spacer being mounted until the clevis pin protrudes through the opposite side of the assembly.
3. Insert the included cotter pin into the hole in the clevis pin.

FlipTop™ Cable Retractors

- Tighten the set screw in each retractor neck so that the screws are just snug against the clevis pin.

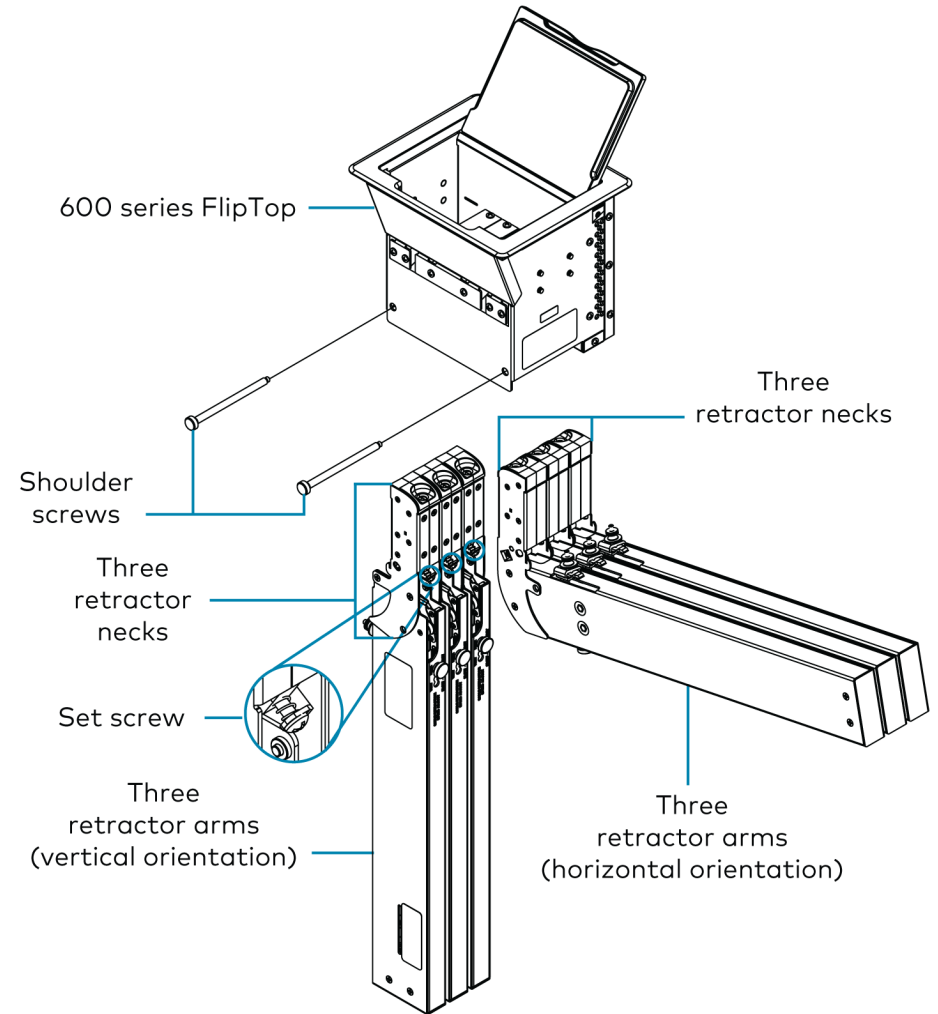


FlipTop™ Cable Retractors

Attach the Cable Retractors to the FlipTop (FlipTop 600 Series Models)

1. Insert the retractor necks into the FlipTop until they engage the frame of the 600 Series FlipTop assembly.
2. Insert the shoulder screws into the front of the FlipTop.

3. Tighten the set screw in each retractor neck.



FlipTop™ Cable Retractors



Visit the Product Page

Scan the QR code to visit the product page.

CBLR2 Series Retractors



www.crestron.com/model/6507277

Additional Information

Original Instructions

The U.S. English version of this document is the original instructions. All other languages are a translation of the original instructions.

Crestron product development software is licensed to Crestron dealers and Crestron Service Providers (CSPs) under a limited nonexclusive, nontransferable Software Development Tools License Agreement. Crestron product operating system software is licensed to Crestron dealers, CSPs, and end-users under a separate End-User License Agreement. Both of these Agreements can be found on the Crestron website at www.crestron.com/legal/software_license_agreement.

The product warranty can be found at www.crestron.com/warranty.

The specific patents that cover Crestron products are listed at www.crestron.com/legal/patents.

Certain Crestron products contain open source software. For specific information, visit www.crestron.com/opensource.

Crestron, the Crestron logo, and FlipTop are either trademarks or registered trademarks of Crestron Electronics, Inc. in the United States and/or other countries. Other trademarks, registered trademarks, and trade names may be used in this document to refer to either the entities claiming the marks and names or their products. Crestron disclaims any proprietary interest in the marks and names of others. Crestron is not responsible for errors in typography or photography.

©2020 Crestron Electronics, Inc.

Doc. 7711B

05/05/20