

TS-7/10-MUMK

Mullion Mount Kit for TSS-7, TSS-10, TSW-760, and TSW-1060 Series

- Allows a TSS-7, TSS-10, TSW-760, or TSW-1060 series touch screen to be attached to the mullion of an interior glass wall, window, or partition
- Installs in either side or front mount configuration
- Wiring is run inside the mullion for a finished appearance
- Ideal for mounting at the entrance to a meeting space for room scheduling applications
- Compatible with TSW-760-LB and TSW-1060-LB light bars for clear indication of the room availability status

The TS-7/10-MUMK allows a TSS-7, TSS-10, TSW-760, TSW-760-NC, TSW-1060, or TSW-1060-NC touch screen to be attached to the mullion of an interior glass wall, window, or partition. The TS-7/10-MUMK mounts a compatible touch screen to the left or right of any hollow, metallic vertical mullion. Two mounting brackets are provided that allow the TS-7/10-MUMK to be installed in one of two configurations (side mount or front mount). Wiring is run to the touch screen from inside the mullion to create a clean, finished appearance.

The TS-7/10-MUMK is ideal for mounting at the entrance to a meeting space for room scheduling applications, and it is compatible with the TSW-760-LB and TSW-1060-LB light bars to provide a clear indication of the room availability status.

Specifications

Construction

Housing: Aluminum, steel

Mounting: Attaches to the inside surface of a hollow metallic mullion in side or front mount configuration

Dimensions

Without touch screen

Height: 2.52 in. (64 mm)

Width: 8.97 in. (228 mm)

Depth: 1.70 in. (43 mm)

With TSS-7 or TSW-760 series touch screen installed

Height: 4.79 in. (122 mm)

Width: 7.62 in. (194 mm)

Depth: 2.40 in. (61 mm)

With TSS-10 or TSW-1060 series touch screen installed

Height: 6.58 in. (167 mm)

Width: 11.01 in. (280 mm)

Depth: 2.40 in. (61 mm)

Weight

16 oz (454 g)

Models

Available Models

TS-7/10-MUMK-B

Mullion Mount Kit for TSS-7, TSS-10, TSW-760, and TSW-1060 Series, Black

TS-7/10-MUMK-W

Mullion Mount Kit for TSS-7, TSS-10, TSW-760, and TSW-1060 Series, White

This product may be purchased from an authorized Crestron dealer. To find a dealer, please contact the Crestron sales representative for your area. A list of sales representatives is available online at www.crestron.com/How-To-Buy/Find-a-Representative or by calling 855-263-8754.

The specific patents that cover Crestron products are listed online at www.crestron.com/legal/patents.

Certain Crestron products contain open source software. For specific information, visit www.crestron.com/opensource.

Crestron and the Crestron logo are either trademarks or registered trademarks of Crestron Electronics, Inc. in the United States and/or other countries. Other trademarks, registered trademarks, and trade names may be used in this document to refer to either the entities claiming the marks and names or their products. Crestron disclaims any proprietary interest in the marks and names of others. Crestron is not responsible for errors in typography or photography.

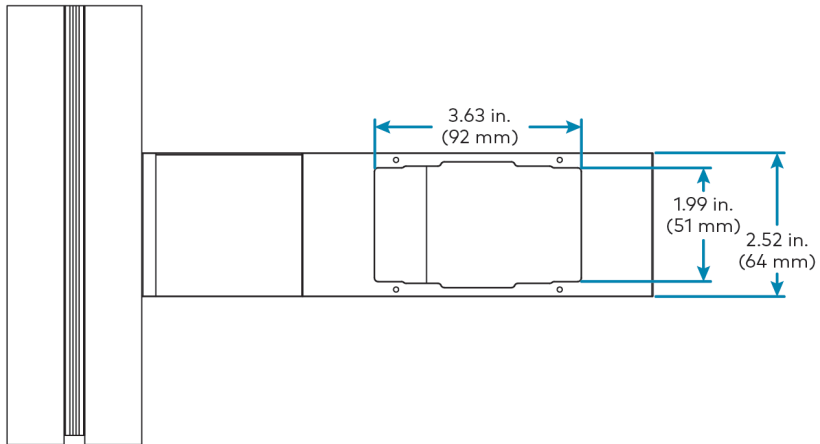
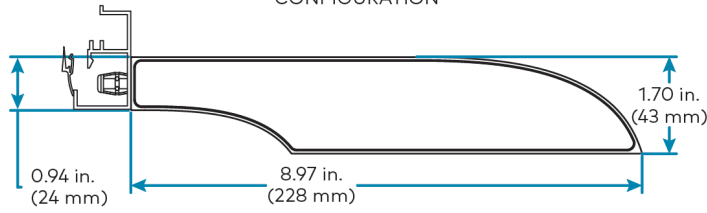
Specifications are subject to change without notice.

©2019 Crestron Electronics, Inc.

TS-7/10-MUMK

Mullion Mount Kit for TSS-7, TSS-10, TSW-760, and TSW-1060 Series

SIDE MOUNT
CONFIGURATION



FRONT MOUNT
CONFIGURATION

