

DMF-RMC-4K-SFP

DigitalMedia™ SFP+ 4K Fiber Receiver

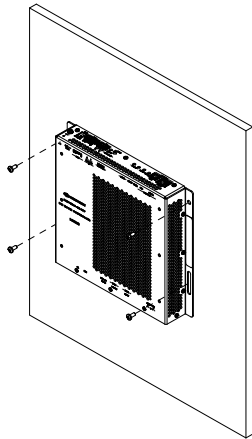
DO Install the Device

The Crestron® DMF-RMC-4K-SFP can be mounted onto a flat surface or onto a rack rail.

Mounting onto a Flat Surface

Using four mounting screws (not included), mount the device onto a flat surface such as a wall.

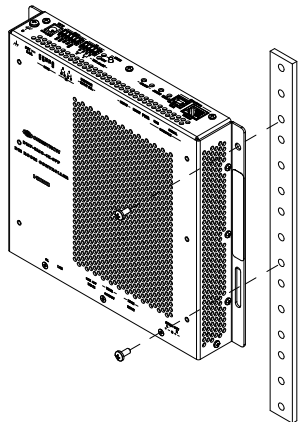
Mounting onto a Wall



Mounting onto a Rack Rail

Using two mounting screws (not included), mount the left or right mounting flange of the device onto the front or rear rail of a rack.

Mounting onto a Rack Rail



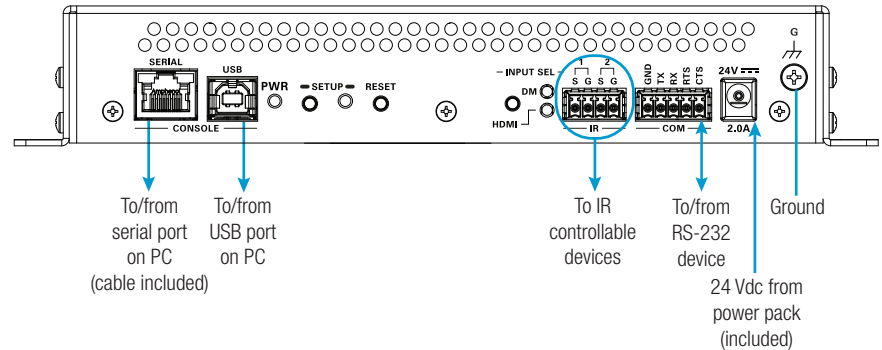
DO Check the Box

QTY	PRODUCT	PART NUM.
1	Cable, RJ-45 Male - DB9 Female, 6' (1.83 m)	2043246
1	Connector, 4-Pin	2003576
2	Connector, 5-Pin	2003577
1	Power Cord, 5' 10" (1.78 m)	2042043
1	Power Pack, 24 Vdc, 2.5 A, 100-240 Vac	2045873

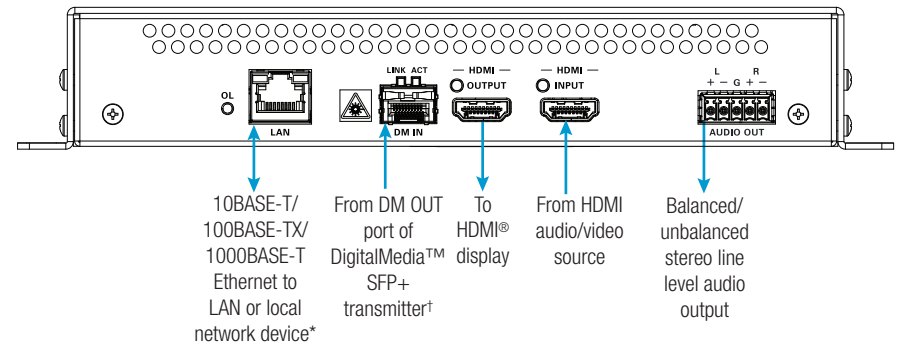
DO Connect the Device

Connect the device as required for the application.

Top View



Bottom View



*To connect to the LAN, use either the LAN port of the DMF-RMC-4K-SFP or the LAN port of the DigitalMedia SFP+ transmitter (DMF-TX-4K-SFP or DMCF-TX-4K-SFP)—do not connect the receiver and transmitter LAN ports to the LAN simultaneously.

†Use Crestron® SFP+ transceiver modules only. Refer to the SFP-10G Series DO Guide (Doc. 7862) for additional information.



DO Configure the Device

NOTE: If the HDMI® output of the DMF-RMC-4K-SFP connects to a DigitalMedia™ switcher, the switcher automatically configures the IP table of the DigitalMedia SFP+ transmitter (DMF-TX-4K-SFP or DMC-F-TX-4K-SFP) according to the SIMPL program. The transmitter hosts the configuration settings of the DMF-RMC-4K-SFP.

If the DMF-RMC-4K-SFP connects to a DigitalMedia SFP+ transmitter (DMF-TX-4K-SFP or DMC-F-TX-4K-SFP) in a stand-alone configuration, do the following:

- Configure the routing, input, and output settings of the DMF-RMC-4K-SFP when configuring the DigitalMedia SFP+ transmitter. The transmitter hosts the configuration of the settings for the DMF-RMC-4K-SFP.
- Configure network and device settings of the DMF-RMC-4K-SFP by using the web interface of the DMF-RMC-4K-SFP. To access the web interface, open a web browser and then go to the IP address of the device.

NOTE: By default, DHCP is enabled. To display the IP address on the connected display, press the **SETUP** button on the top panel of the DMF-RMC-4K-SFP.

To log in to the web interface, enter the user name and password. The default user name is *admin*, and the default password is *admin*.

DO Learn More

Visit the website for additional information and the latest firmware updates. To learn more about this product, use a QR reader application on your mobile device to scan the QR image.

Crestron Electronics
15 Volvo Drive, Rockleigh, NJ 07647
888.CRESTRON | www.crestron.com



CE As of the date of manufacture, the product has been tested and found to comply with specifications for CE marking.

Federal Communications Commission (FCC) Compliance Statement

This device complies with part 15 of the FCC Rules. Operation is subject to the following two conditions:
(1) This device may not cause harmful interference, and (2) this device must accept any interference received, including interference that may cause undesired operation.

CAUTION: Changes or modifications not expressly approved by the manufacturer responsible for compliance could void the user's authority to operate the equipment.

NOTE: This equipment has been tested and found to comply with the limits for a Class B digital device, pursuant to part 15 of the FCC Rules. These limits are designed to provide reasonable protection against harmful interference in a residential installation. This equipment generates, uses and can radiate radio frequency energy and, if not installed and used in accordance with the instructions, may cause harmful interference to radio communications. However, there is no guarantee that interference will not occur in a particular installation.

If this equipment does cause harmful interference to radio or television reception, which can be determined by turning the equipment off and on, the user is encouraged to try to correct the interference by one or more of the following measures:

- Reorient or relocate the receiving antenna.
- Increase the separation between the equipment and receiver.
- Connect the equipment into an outlet on a circuit different from that to which the receiver is connected.
- Consult the dealer or an experienced radio/TV technician for help.

Industry Canada (IC) Compliance Statement

CAN ICES-3(B)/NMB-3(B)



The products are Class 1 laser products. They comply with safety regulations of IEC-60825-1, FDA 21 CFR 1040.11 and FDA 21 CFR 1040.10.

WARNING: Visible and invisible laser radiation when open. Avoid direct exposure to beam.

The specific patents that cover Crestron products are listed at <http://www.crestron.com/legal/patents>.

The product warranty can be found at www.crestron.com/warranty.

Certain Crestron products contain open source software. For specific information, please visit www.crestron.com/opensource.

Crestron, the Crestron logo, and DigitalMedia are either trademarks or registered trademarks of Crestron Electronics, Inc. in the United States and/or other countries. HDMI and the HDMI logo are either trademarks or registered trademarks of HDMI Licensing LLC in the United States and/or other countries. Other trademarks, registered trademarks, and trade names may be used in this document to refer to either the entities claiming the marks and names or their products. Crestron disclaims any proprietary interest in the marks and names of others. Crestron is not responsible for errors in typography or photography.

This document was written by the Technical Publications department at Crestron.

©2016 Crestron Electronics, Inc.