

FlipTop™ AC Power Outlet Modules

Crestron® FTA-PWR series AC Power Outlet Modules are designed for use with any 600 Series FlipTop™ to provide convenience receptacles within the FlipTop connection compartment. A selection of modules is available to support a range of different countries and regions.

The FTA-PWR-102 model provides two NEMA 5 type outlets rated for 10 Amps (total) at 125 Volts AC, 50/60 Hz. This module occupies two adjacent FlipTop connector plate spaces allowing up to two modules to be installed in a single FlipTop. The FTA-PWR-102 is UL® Listed, and features an attached 9 ft (2.7 m) grounded AC power cord, which exits the bottom of the module and provides for connection to a local AC power source.

Models FTA-PWR-211, -221, and -251 each provide a single “International” outlet rated for 10 Amps at 220-240 Volts AC, 50/60 Hz. Each of these modules occupies three contiguous FlipTop connector plate spaces, and features an IEC 60320 C14 type main power inlet on the bottom of the module for connection to a local AC power source. Refer to the chart below for the type of outlet and applicable countries for each model.

Model FTA-PWR-261 provides a single “universal” outlet, which accommodates several different types of plugs (refer to the chart below). It is rated for 10 Amps at 100-240 Volts AC, 50/60 Hz.

Models FTA-PWR-212, -222, and -262 are dual outlet versions of the FTA-PWR-211, -221, and -261 respectively. Each of these modules occupies three contiguous connector plate spaces plus one adjacent cable pass-through plate space. Two main power inlets are provided on the bottom of each module (one per outlet).

To configure a complete 600 Series FlipTop with your choice of finishes, cables, cable retractors, connector plates, and power outlets, please use the online [Crestron FlipTops Configuration Tool](#).

Available Models

FTA-PWR-102: FlipTop™ AC Power Outlet Module, Dual, US NEMA 5, Type B

FTA-PWR-211: FlipTop™ AC Power Outlet Module, Single, UK, Type G

FTA-PWR-212: FlipTop™ AC Power Outlet Module, Dual, UK, Type G

FTA-PWR-221: FlipTop™ AC Power Outlet Module, Single, European “Schuko”, Type F

FTA-PWR-222: FlipTop™ AC Power Outlet Module, Dual, European “Schuko”, Type F

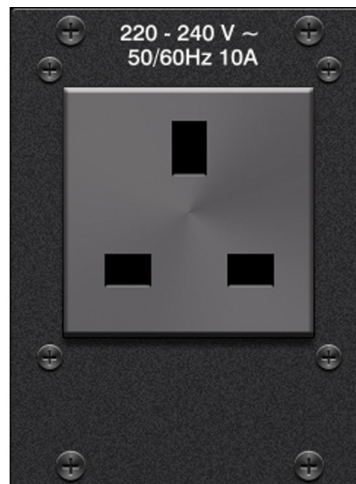
FTA-PWR-251: FlipTop™ AC Power Outlet Module, Single, Australia/China, Type I

FTA-PWR-261: FlipTop™ AC Power Outlet Module, Single, Universal

FTA-PWR-262: FlipTop™ AC Power Outlet Module, Dual, Universal



FTA-PWR-102
US NEMA 5
Type B



FTA-PWR-211, UK, Type G



FTA-PWR-221, Euro, Type F

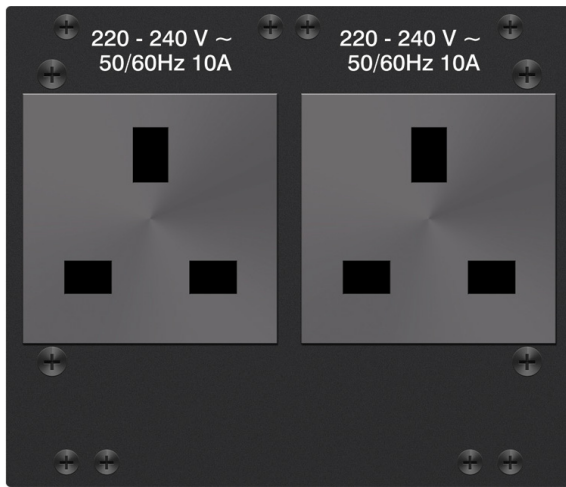


FTA-PWR-251, AU/CN, Type I

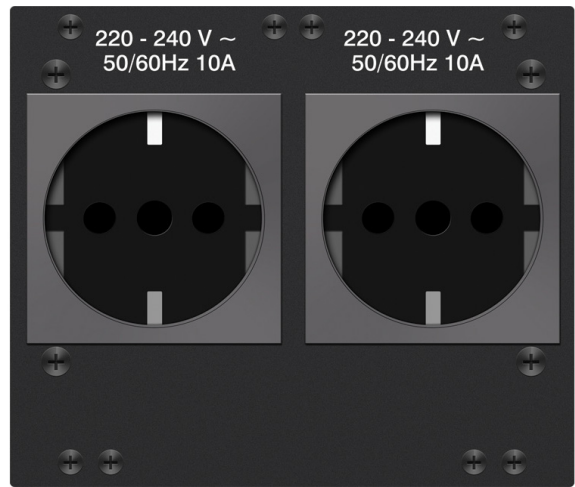


FTA-PWR-261, Universal

FTA-PWR FlipTop™ AC Power Outlet Modules



FTA-PWR-212, UK, Type G



FTA-PWR-222, Euro, Type F

Notes:

This product may be purchased from an authorized Crestron dealer. To find a dealer, please contact the Crestron sales representative for your area. A list of sales representatives is available online at www.crestron.com/salesreps or by calling 800-237-2041.

The specific patents that cover Crestron products are listed online at: patents.crestron.com.

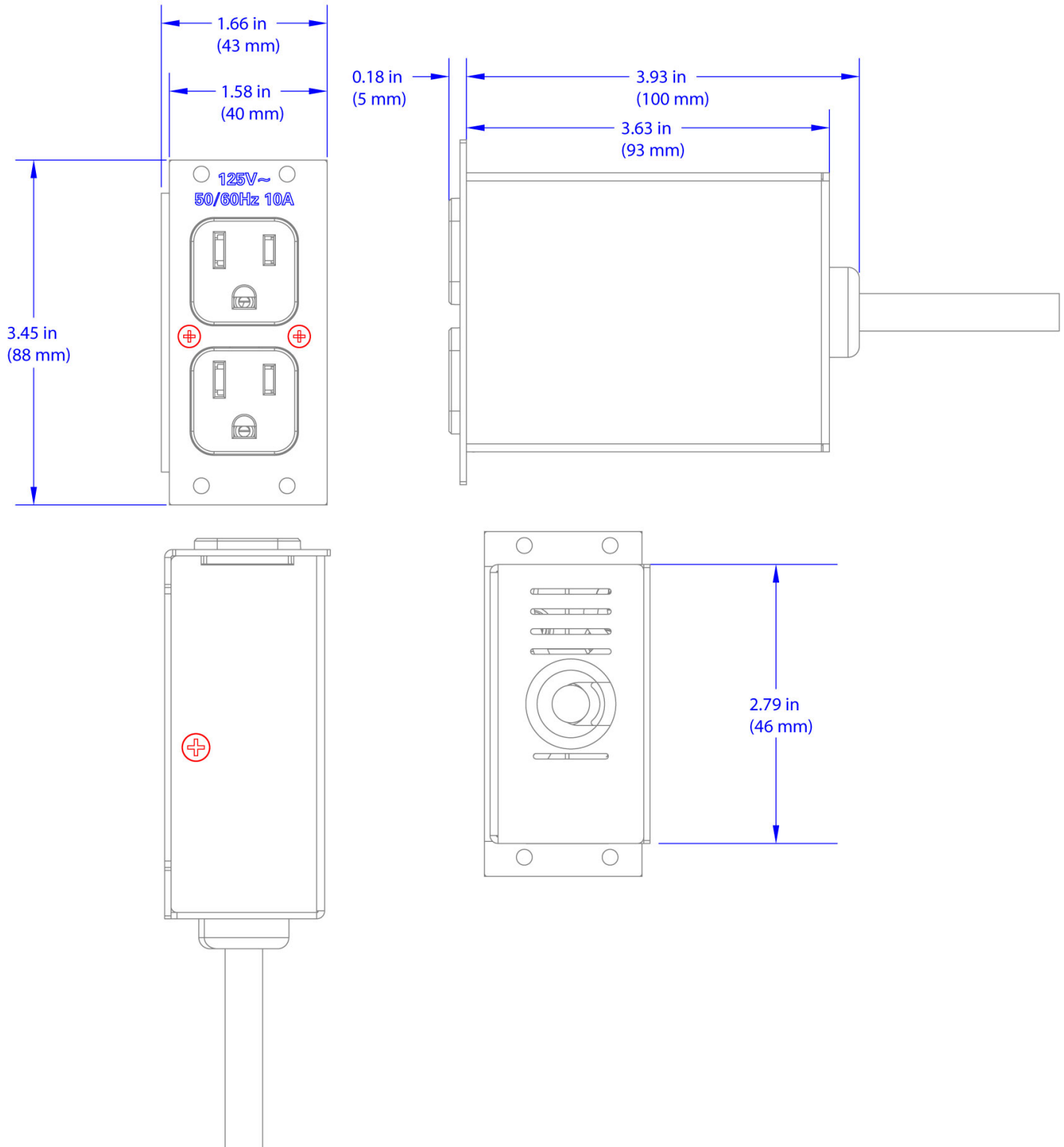
Certain Crestron products contain open source software. For specific information, please visit www.crestron.com/opensource.

Crestron, the Crestron logo, and FlipTop are either trademarks or registered trademarks of Crestron Electronics, Inc. in the United States and/or other countries. UL is either a trademark or registered trademark of UL LLC in the United States and/or other countries. Other trademarks, registered trademarks, and trade names may be used in this document to refer to either the entities claiming the marks and names or their products. Crestron disclaims any proprietary interest in the marks and names of others. Crestron is not responsible for errors in typography or photography. Specifications are subject to change without notice.
©2016 Crestron Electronics, Inc.

FTA-PWR FlipTop™ AC Power Outlet Modules

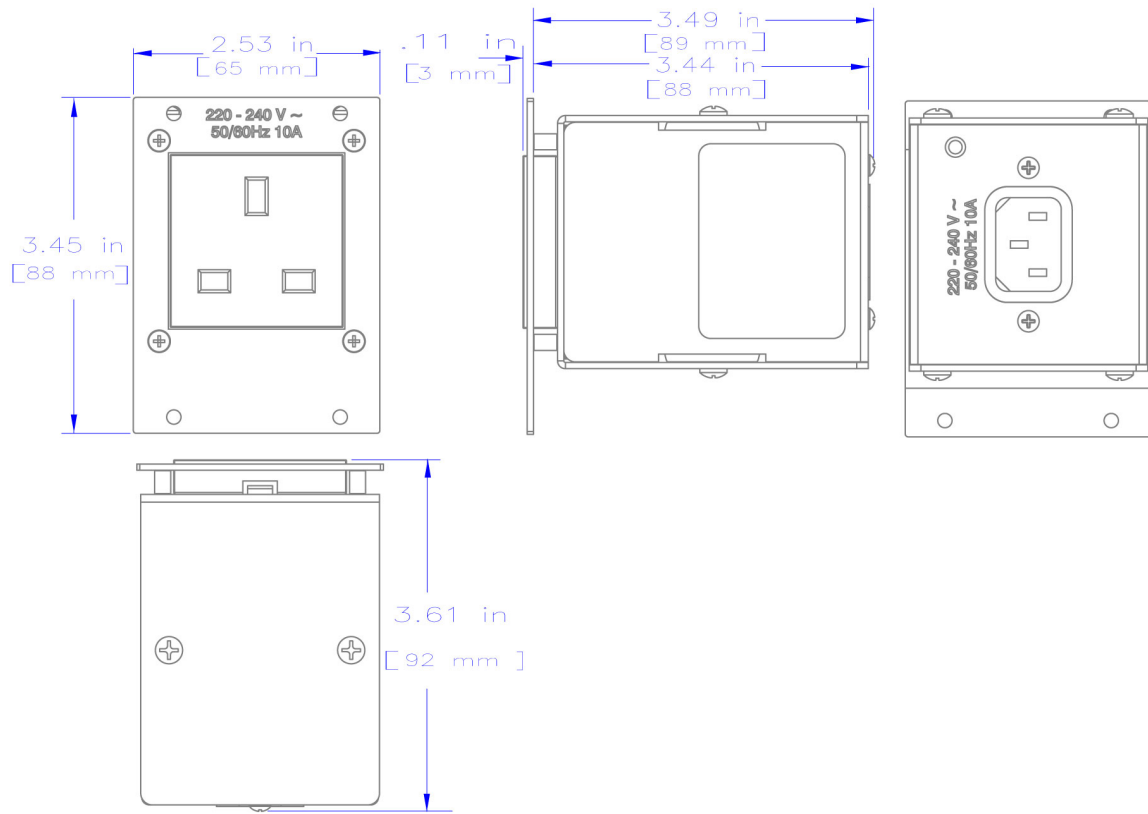
| Model | Commerce Dept Plug Type | Ratings | Applicable Countries | Quantity of Outlets | FlipTop Plate Spaces |
|-------------------------------------|-----------------------------------|---|--|---------------------|---|
| FTA-PWR-102 US NEMA 5 | Type B | 10A 125V AC 50/60Hz (total) | American Samoa, Bahamas, Barbados, Belize, Bermuda, British Virgin Islands, Canada, Cayman Islands, Columbia, Cuba, Ecuador, El Salvador, Guam, Guatemala, Guyana, Haiti, Honduras, Jamaica, Japan, Mariana Islands, Marshall Islands, Mexico, Micronesia, Midway Islands, Nicaragua, Palau, Panama, Puerto Rico, Taiwan, Trinidad & Tobago, Turks and Caicos Islands, United States, Venezuela, Virgin Islands, Wake Island | 2 | 2 Connector Plate Spaces |
| FTA-PWR-211 UK | Type G | 10A 220-240V AC 50/60Hz | Anguilla, Bahrain, Botswana, Burma (Myanmar), Cyprus, Dominica, Falkland Islands (Malvinas), Gambia, Ghana, Gibraltar, Hong Kong, Iraq, Ireland, Kenya, Kuwait, Liberia, Malawi, Malaysia, Malta, Mauritius, Nigeria, Northern Ireland, Oman, Qatar, St. Kitts-Nevis, St. Lucia, St. Vincent, Saudi Arabia, Seychelles, Sierra Leone, Singapore, Sudan, Tanzania, Uganda, United Arab Emirates, United Kingdom, Yemen, Zambia, Zimbabwe | 1 | 3 Connector Plate Spaces |
| FTA-PWR-212 UK | | 10A 220-240V AC 50/60Hz (per outlet) | | 2 | 3 Connector Plate Spaces + 1 Cable Pass- Through Plate Space |
| FTA-PWR-221 European "Schuko" | Type F | 10A 220-240V AC 50/60Hz | Austria, Azerbaijan, Belarus, Bosnia and Herzegovina, Brunei, Bulgaria, Burundi, Cape Verde, Chad, Croatia, Egypt, Eritrea, Finland, Georgia, Germany, Greece, Greenland, Guinea-Bissau, Hungary, Iceland, Jordan, Kazakhstan, Korea (South), Kyrgyzstan, Liechtenstein, Luxemburg, Macedonia, Monaco, Montserrat, Morocco, Mozambique, Netherlands, Netherlands Antilles, New Caledonia, Norway, Poland, Portugal, Reunion, Romania, Russia, San Marino, Senegal, Serbia and Montenegro, Slovenia, Spain, Suriname, Sweden, Syria, Tunisia, Turkey, Ukraine, Vietnam | 1 | 3 Connector Plate Spaces |
| FTA-PWR-222 European "Schuko" | | 10A 220-240V AC 50/60Hz (per outlet) | | 2 | 3 Connector Plate Spaces + 1 Cable Pass- Through Plate Space |
| FTA-PWR-251 Australia/ China | Type I | 10A 220-240V AC 50/60Hz | Argentina, Australia, China, Fiji, New Zealand, Papua New Guinea | 1 | 3 Connector Plate Spaces |
| FTA-PWR-261 Universal | Combines Types B, F, G, & I | 10A 100-240V AC 50/60Hz | American Samoa, Anguilla, Antigua & Barbuda, Argentina, Australia, Austria, Azerbaijan, Bahamas, Bahrain, Barbados, Belarus, Belize, Bermuda, Bosnia and Herzegovina, Botswana, British Virgin Islands, Brunei, Bulgaria, Burma (Myanmar), Burundi, Canada, Cape Verde, Cayman Islands, Chad, China, Columbia, Croatia, Cuba, Cyprus, Dominica, Ecuador, Egypt, El Salvador, Eritrea, Falkland Islands (Malvinas), Fiji, Finland, Gambia, Georgia, Germany, Ghana, Gibraltar, Greece, Greenland, Guam, Guatemala, Guinea-Bissau, Guyana, Haiti, Honduras, Hong Kong, Hungary, Iceland, Iraq, Ireland, Jamaica, Japan, Jordan, Kazakhstan, Kenya, Korea (South), Kuwait, Kyrgyzstan, Liberia, Liechtenstein, Luxemburg, Macedonia, Malawi, Malaysia, Malta, Mariana Islands, Marshall Islands, Mauritius, Mexico, Micronesia, Midway Islands, Monaco, Montserrat, Morocco, Mozambique, Netherlands, Netherlands Antilles, New Caledonia, New Zealand, Nicaragua, Nigeria, Northern Ireland, Norway, Oman, Palau, Panama, Papua New Guinea, Poland, Portugal, Puerto Rico, Qatar, Reunion, Romania, Russia, St. Kitts-Nevis, St. Lucia, St. Vincent, Samoa, San Marino, Saudi Arabia, Senegal, Serbia and Montenegro, Seychelles, Sierra Leone, Singapore, Slovenia, Spain, Sudan, Suriname, Sweden, Syria, Taiwan, Tanzania, Trinidad & Tobago, Tunisia, Turkey, Turks and Caicos Islands, Uganda, Ukraine, United Arab Emirates, United Kingdom, United States, Venezuela, Vietnam, Virgin Islands, Wake Island, Yemen, Zambia, Zimbabwe | 1 | 3 Connector Plate Spaces |
| FTA-PWR-262 Universal | | 10A 100-240V AC 50/60Hz (per outlet) | | 2 | 3 Connector Plate Spaces + 1 Cable Pass- Through Plate Space |

FTA-PWR FlipTop™ AC Power Outlet Modules

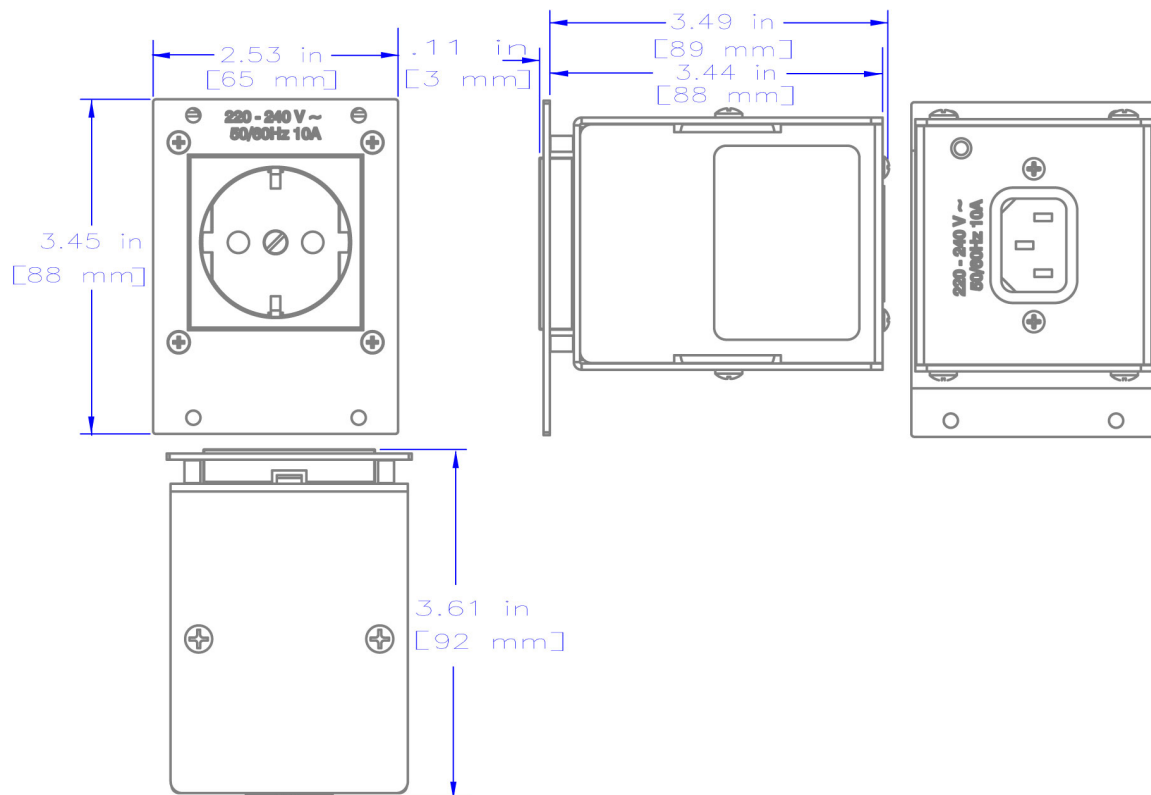


FTA-PWR-102

FTA-PWR FlipTop™ AC Power Outlet Modules

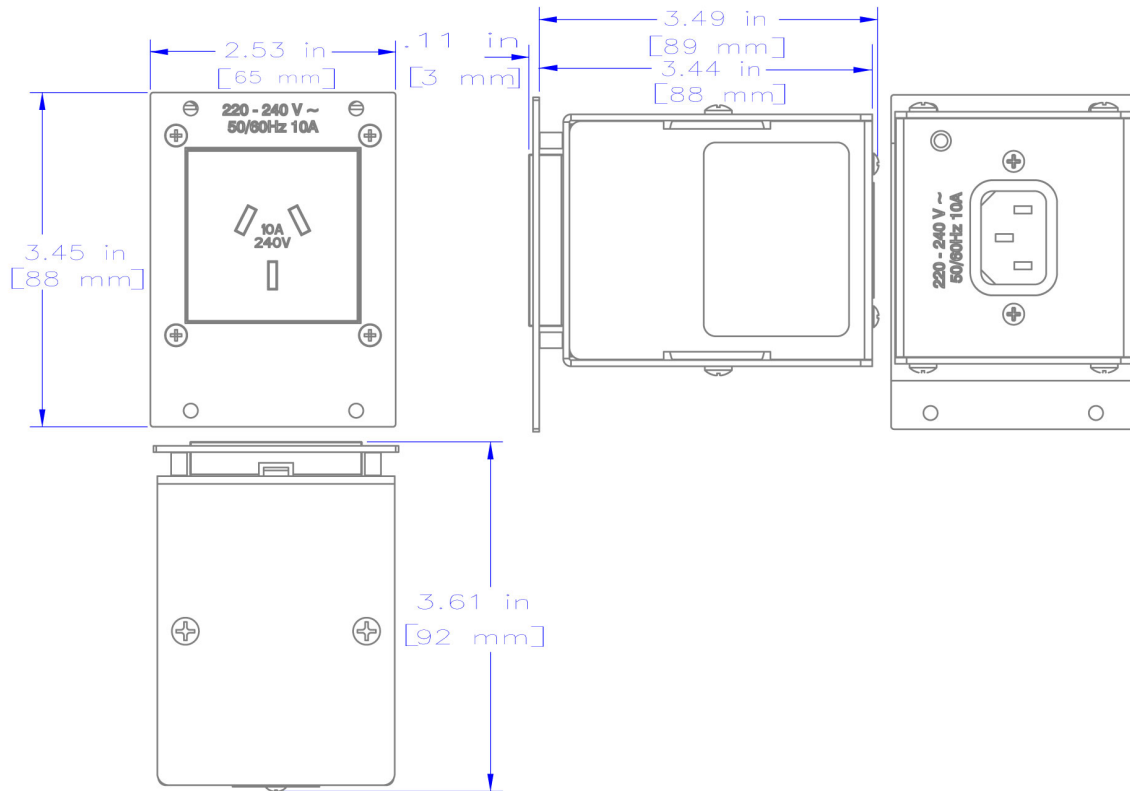


FTA-PWR-211

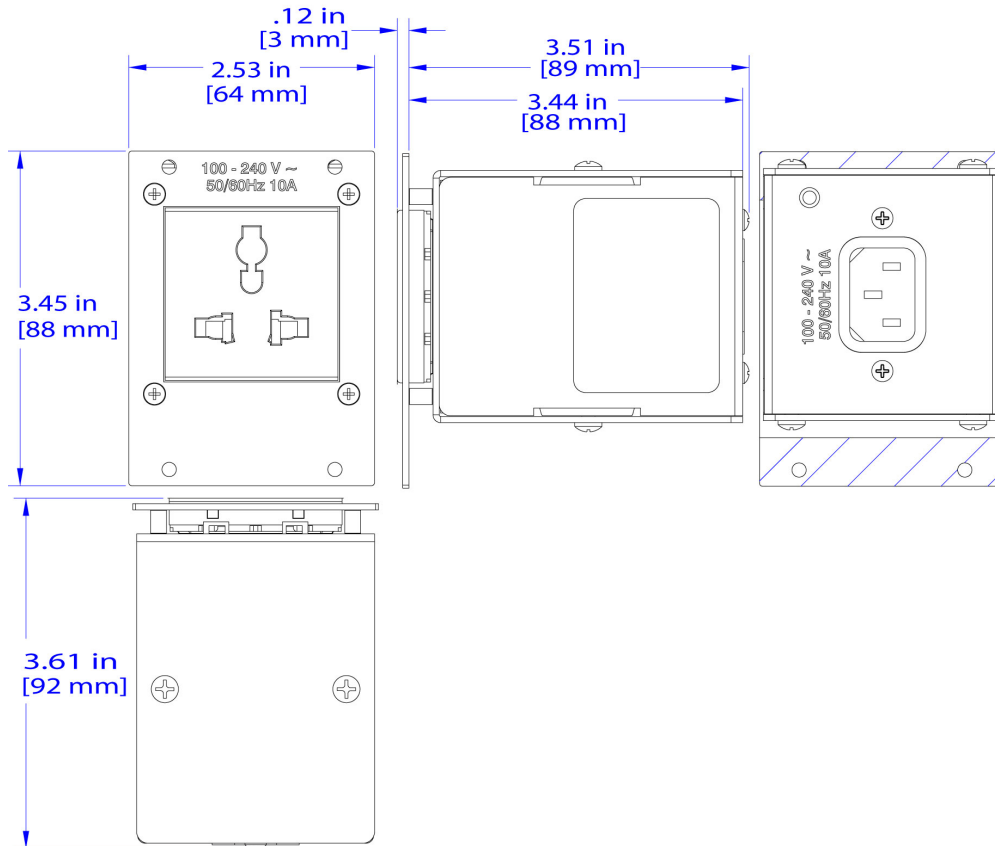


FTA-PWR-221

FTA-PWR FlipTop™ AC Power Outlet Modules

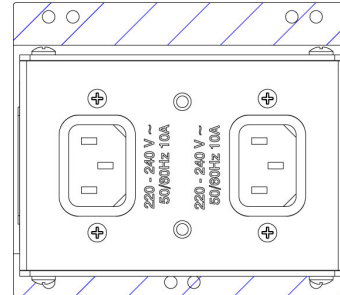
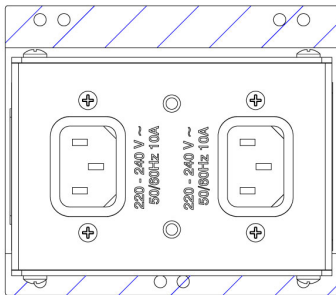
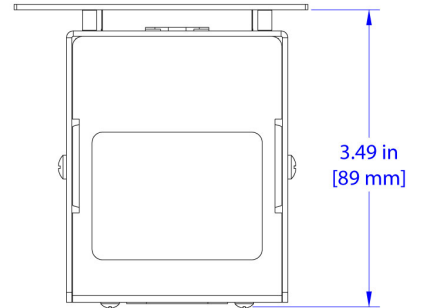
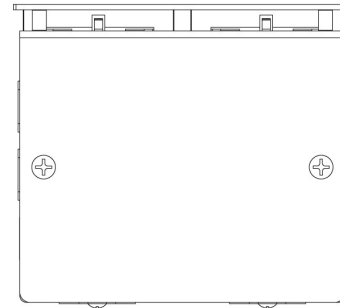
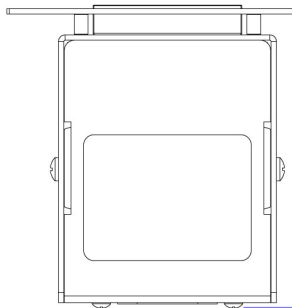
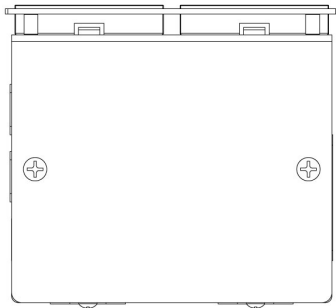
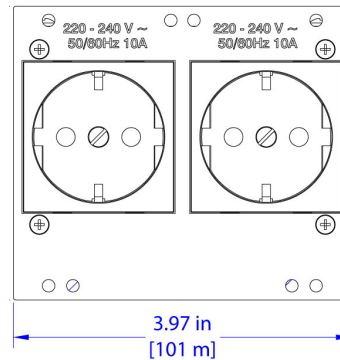
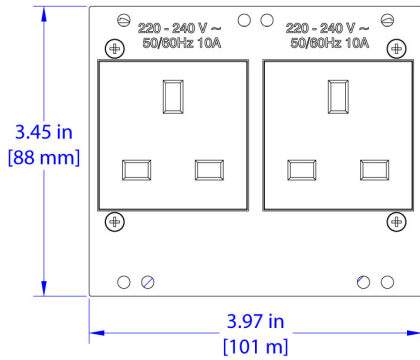


FTA-PWR-251



FTA-PWR-261

FTA-PWR FlipTop™ AC Power Outlet Modules



FTA-PWR-212

FTA-PWR-222