

TSW-560-LB Series

Room Availability Light Bar for TSW-560, TSW-560P, & TSW-560-NC Series

- > Adds 180° visual indication of room availability to a TSW-560, TSW-560P, or TSW-560-NC series touch screen
- > Reveals every free meeting room at a glance down the hallway
- > Provides a stylish ring of light around the perimeter of the touch screen
- > Illuminates vivid green or red to indicate room availability status
- > RGB LEDs allow any color illumination (except white) via custom control system programming
- > Energy efficient at less than 2 Watts power consumption
- > Mounts easily to the rear of the touch screen and connects via USB^[1]
- > Compatible with in-wall and multisurface mounting options

The **TSW-560-LB Series** light bar is an add-on accessory for a **TSW-560**, **TSW-560P**, or **TSW-560-NC** series touch screen to provide 180° visual indication of the room availability status. With just a glance down the hallway, the light bar provides highly-visible indication of a room's availability as part of a complete Crestron® enterprise room scheduling solution. It mounts to the rear of the touch screen and provides a ring of light around the perimeter of the touch screen. Its clean, stylish appearance and vivid color illumination complement any corporate office environment.

Room Availability Status

For room scheduling applications, the TSW-560-LB requires no special programming or configuration. The color of illumination is controlled by the room scheduling application, which runs on the touch screen and syncs with the **Crestron Fusion®** Enterprise Management Service or other supported calendaring application. It illuminates green when the room is available and red when the room is occupied. It can also blink to indicate an emergency message broadcast from Crestron Fusion.

Custom RGB Color Mixing

For custom applications, the TSW-760-LB can be programmed to illuminate in any desired color. Its tricolor RGB LEDs allow for a full spectrum of colors by blending the red, green, and blue elements in 1% increments per color. Custom RGB color mixing is performed through programming of the Crestron control system controlling the touch screen. The control system can be programmed to support all types of functionality, enabling colors to alternate, fade in and out, or blink on and off as desired.

SPECIFICATIONS

Indicator

Illumination: RGB LED

Functionality: Supports alternating red/green indication of room availability status for room scheduling; supports RGB color mixing via custom control system programming

Communications

USB: USB 2.0 device for connection to a **TSW-560**, **TSW-560P**, or **TSW-560-NC** series touch screen



Model TSW-560-LB-B shown with TSW-560-B-S touch screen (touch screen sold separately)

Connectors

USB: (1) Attached lead with USB Type A connector, male; USB 2.0 device port^[1];
Connects to the USB host port on the touch screen

Flex Circuit Slot: Attaches the light bar panel to the control module

Power

USB Power: 2.5 Watts

Power Consumption: 1.3 Watts typical

Environmental

Temperature: 41 to 113 °F (5 to 45 °C)

Humidity: 10% to 90% RH (non-condensing)

Heat Dissipation: 5 BTU/hr

Construction

Composition: Two-piece assembly composed of a control module and light-diffusing plastic light bar panel

Mounting: Control module attaches to the rear of the touch screen using screws, light bar panel sandwiches between the touch screen and mounting surface, 2-13/16 in (72 mm) minimum mounting depth, compatible with **TSW-UMB-60-PMK** preconstruction mounting kit, **TSW-UMB-60-BBI** wall mount back box, and **TS-5-MSMK** multisurface mount kit (not compatible with TSW-560-TTK series tabletop kit or TSW-560/760-RMK-1 rack mount kit)

TSW-560-LB Series Room Availability Light Bar

Dimensions

Height: 3.48 in. (89 mm)

Width: 6.06 in. (154 mm)

Depth: 0.59 in. (15 mm)

Dimensions shown are for the complete touch screen and light bar assembly; projects 0.6 inch (15 mm) from the mounting surface

Weight

2.26 oz (64 g)

Compliance

CE, IC, FCC Part 15 Class B digital device

Available Models

TSW-560-LB-B: Room Availability Light Bar for TSW-560, TSW-560P, & TSW-560-NC Series, Black

TSW-560-LB-W: Room Availability Light Bar for TSW-560, TSW-560P, & TSW-560-NC Series, White

Notes:

1. The USB interface is exclusively for connection to a Crestron [TSW-560](#), [TSW-560P](#), or [TSW-560-NC](#) series touch screen.

This product may be purchased from an authorized Crestron dealer. To find a dealer, please contact the Crestron sales representative for your area. A list of sales representatives is available online at <https://www.crestron.com/How-To-Buy/Find-a-Representative> or by calling 855-263-8754.

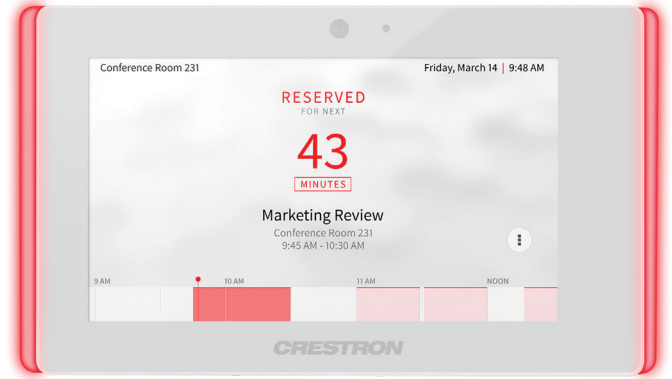
The specific patents that cover this and other Crestron products are listed online at <https://www.crestron.com/legal/patents>.

Certain Crestron products contain open source software. For specific information, visit <https://www.crestron.com/opensource>.

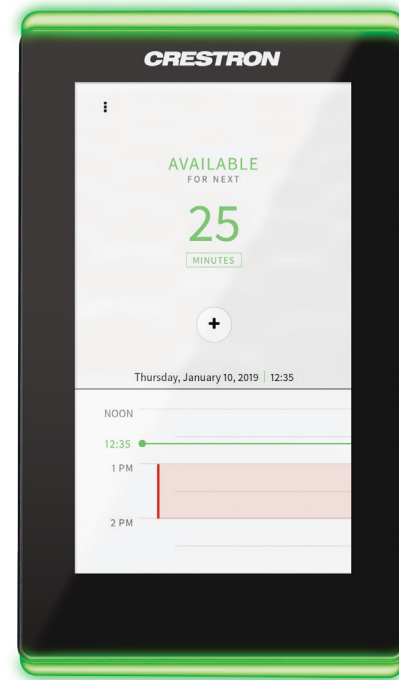
Crestron, the Crestron logo, and Crestron Fusion are either trademarks or registered trademarks of Crestron Electronics, Inc. in the United States and/or other countries. Other trademarks, registered trademarks, and trade names may be used in this document to refer to either the entities claiming the marks and names or their products. Crestron disclaims any proprietary interest in the marks and names of others. Crestron is not responsible for errors in typography or photography.

Specifications are subject to change without notice.

©2019 Crestron Electronics, Inc.



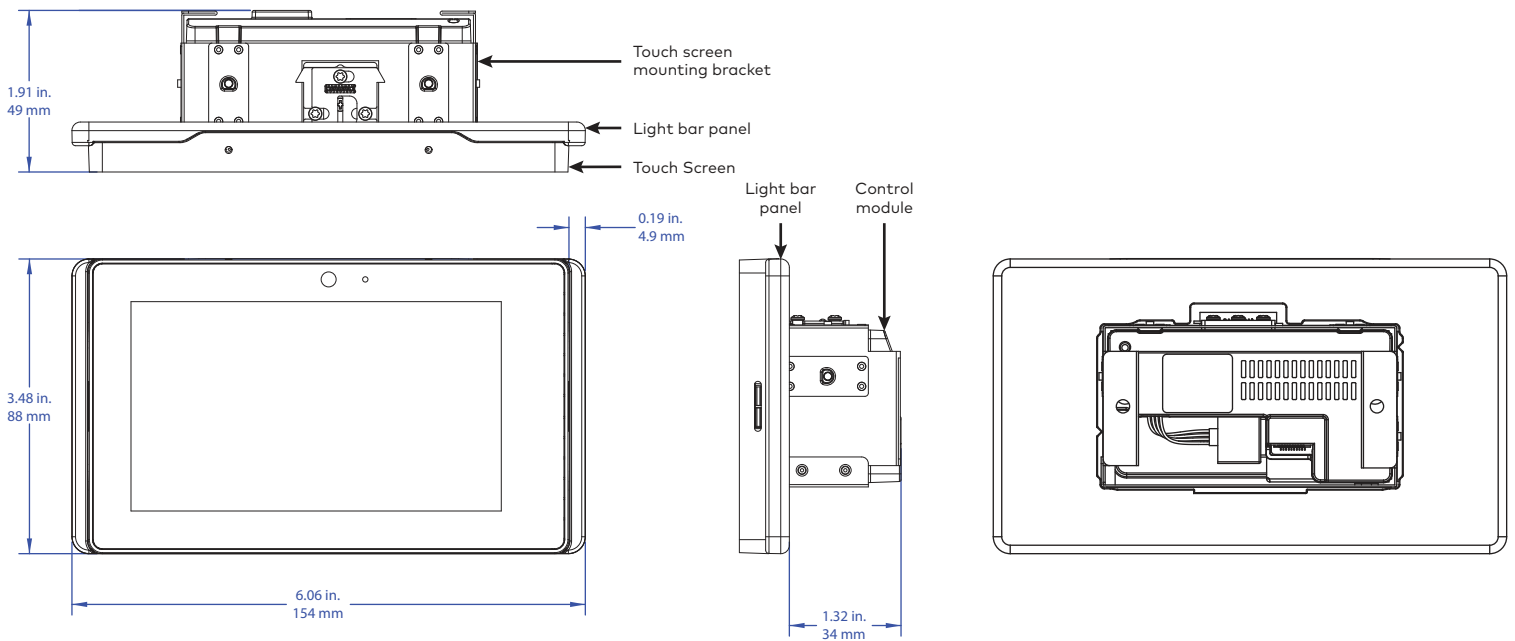
TSW-560-LB-W with TSW-560-W-S, Head On View, Room Reserved (Touch screen sold separately)



TSW-560-LB-B with TSW-560P-B-S, Head On View, Room Available (Touch screen sold separately)

TSW-560-LB Series Room Availability Light Bar

TSW-560-LB Dimension Drawings



TSW-560-LB light bar assembly shown installed on a TSW-560 touch screen