

# CBL-MULTI-6/CBL-MULTI-12

## Crestron Mercury® HD Video Cable System

The Crestron® CBL-MULTI-6 and CBL-MULTI-12 provide a video cable system for the Crestron Mercury® UC conference console and other Crestron video conferencing solutions. The CBL-MULTI-6 and CBL-MULTI-12 include 6 and 12 ft cables, respectively, for HDMI®, Mini DisplayPort™, and USB Type-C™ input connections.

**NOTE:** The CBL-MULTI-6 and CBL-MULTI-12 are functionally similar. For simplicity within this guide, the term "cable system" is used except where noted.

The following additional documents are included. Reference these documents as directed by this Quick Start Guide. These documents are also available online at [www.crestron.com/manuals](http://www.crestron.com/manuals).

- HD-MD6X2-4K-E/HD-MD4X2-4K-E/HD-MD4X1-4K-E DO Guide (Doc. 7760)

### 1. Check the Boxes

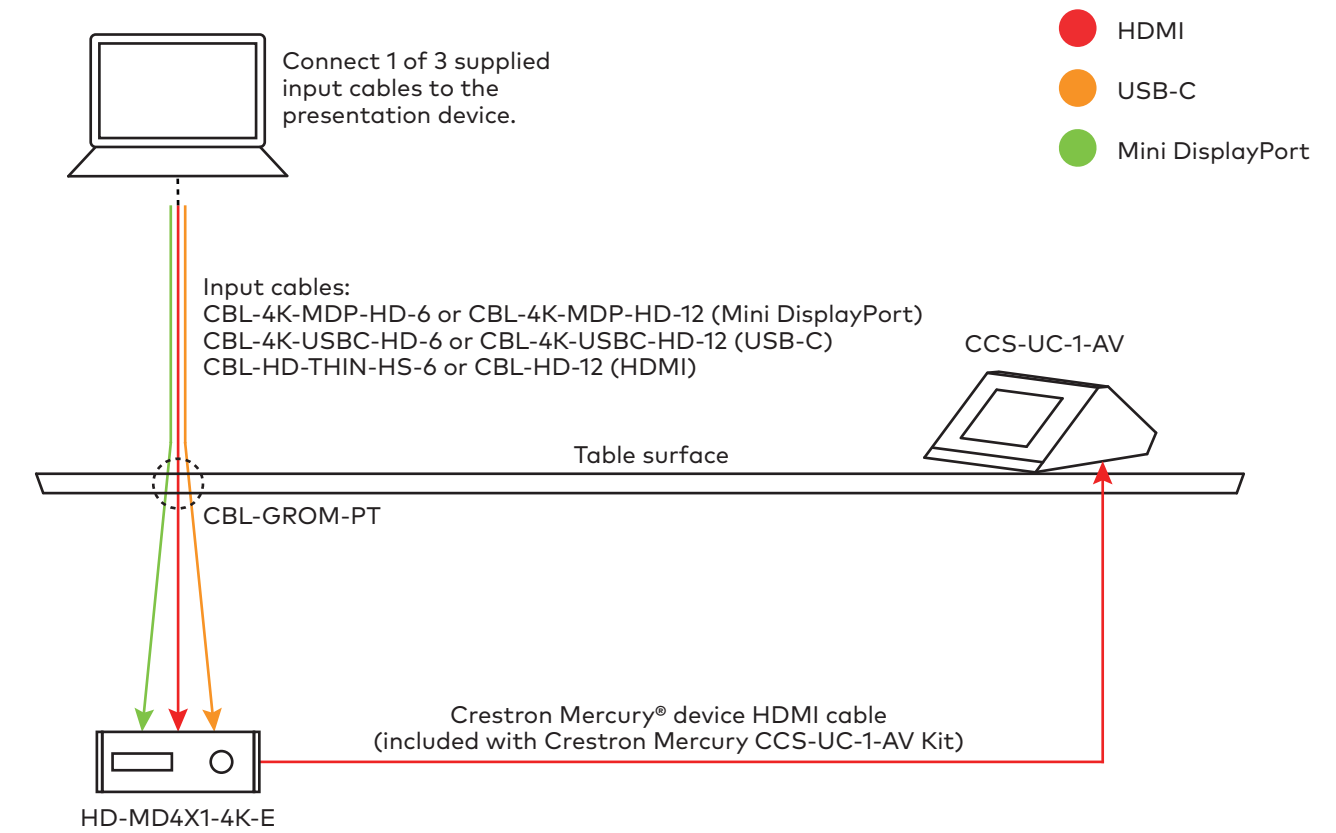
The following items are shipped as a kit within several packages. Some items are packaged with additional assembly parts and documentation. Refer to the document included with the item for its complete parts list.

Item	Qty
<b>CBL-MULTI-6 or CBL-MULTI-12</b>	
<b>CBL-GROM-PT</b> , Cable Grommet (P/N 6511138)	1
<b>HD-MD4X1-4K-E</b> , 4x1 4K HDMI Input Switcher (P/N 6507491)	1
<b>CBL-MULTI-6 Only</b>	
<b>CBL-4K-MDP-HD-6</b> , Active Converter Cable, Mini DisplayPort to HDMI, 18 Gbps, 6 ft (1.8 m) (P/N 6508216)	1
<b>CBL-4K-USBC-HD-6</b> , Active Converter Cable, USB-C to HDMI Input, 18 Gbps, 6 ft (1.8 m) (P/N 6508291)	1
<b>CBL-HD-THIN-HS-6</b> , HDMI Cable, Thin, Type A Male-to-Male, 6 ft (1.83 m) (P/N 6508218)	1
<b>CBL-MULTI-12 Only</b>	
<b>CBL-4K-MDP-HD-12</b> , Active Converter Cable, Mini DisplayPort to HDMI, 18 Gbps, 12 ft (3.6 m) (P/N 6508217)	1
<b>CBL-4K-USBC-HD-12</b> , Active Converter Cable, USB-C to HDMI, 18 Gbps, 12 ft (3.6 m) (P/N 6508294)	1
<b>CBL-HD-12</b> , Crestron Certified HDMI Interface Cable, 18 Gbps, 12 ft (3.6 m) (P/N 6503566)	1

### 2. Plan the Installation

The cable system is intended to be used with an existing Crestron video conferencing solution.

#### CBL-MULTI-6/CBL-MULTI-12 Application Diagram

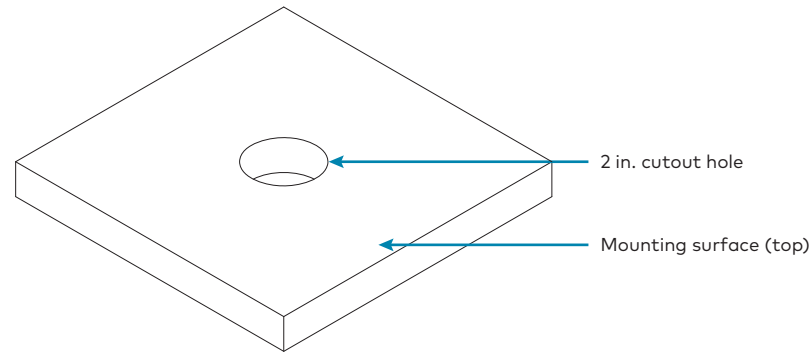


### 3. Install the Cable Grommet

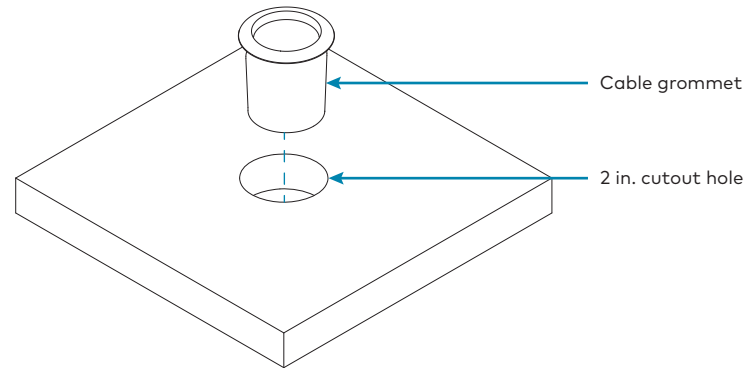
The included CBL-GROM-PT cable grommet installs into a table or similar flat surface where presentation devices are used.

To install the cable grommet:

1. Drill a 2 in. (51 mm) diameter hole into the mounting surface.

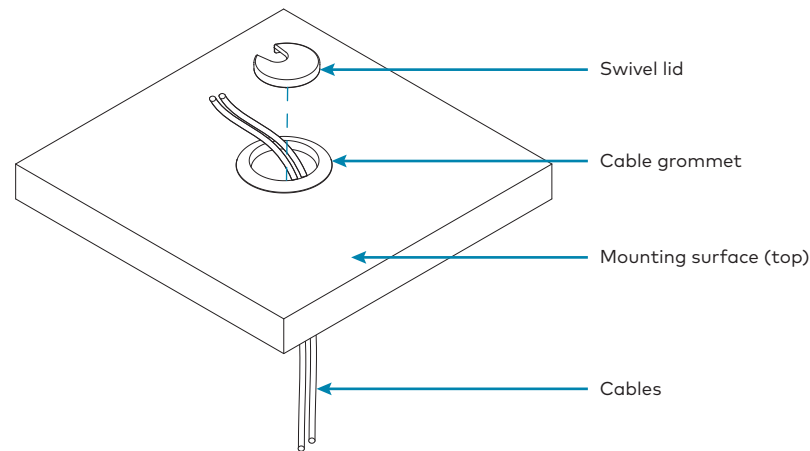


2. Insert the cable grommet downward into the mounting hole.

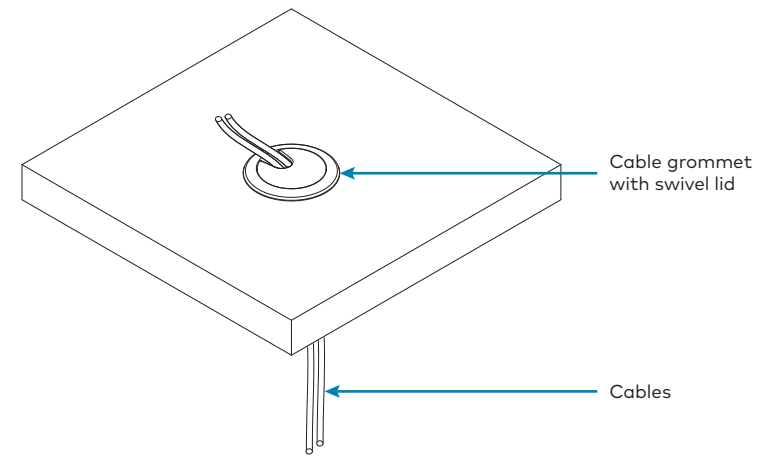


3. Route the included cables up through the bottom of the cable grommet.

4. Press the swivel lid into the top of the cable grommet until it snaps into place.



5. Test that the cables and the swivel lid can move freely after installation.



### 4. Install the HD-MD4X1-4K-E

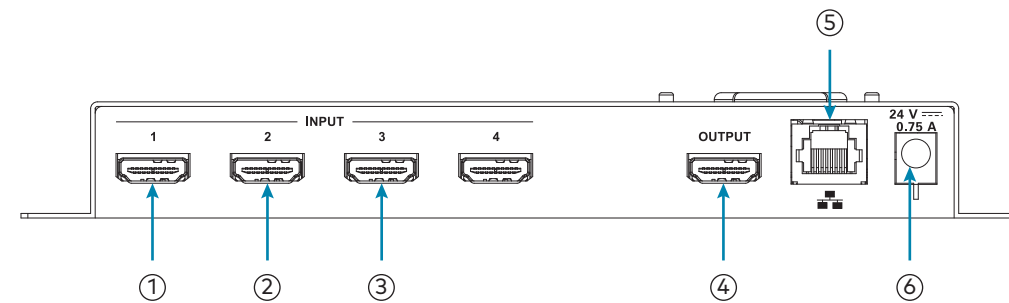
Install the HD-MD4X1-4K-E under the table where the Crestron Mercury device is used or on a nearby flat surface.

For installation instructions, refer to the HD-MD6X2-4K-E/HD-MD4X2-4K-E/HD-MD4X1-4K-E DO Guide (Doc. 7760) packaged with the device.

### 5. Connect the System

Make the following connections to the HD-MD4X1-4K-E rear panel. The numbers in the illustration correspond with the numbered steps below.

**NOTE:** For the CBL-MULTI-6, the included CBL-HD-THIN-HS-6 cable is connected directly to the Crestron Mercury device.



1. (CBL-MULTI-12 Only) Connect the CBL-HD-12 cable to an **INPUT** HDMI port.
2. Connect the CBL-4K-MDP-HD-6 or CBL-4K-MDP-HD-12 cable to an **INPUT** HDMI port.
3. Connect the CBL-4K-USBC-HD-6 or CBL-4K-USBC-HD-12 cable to an **INPUT** HDMI port.
4. Connect the Crestron Mercury device HDMI cable (included with the Crestron Mercury CCS-UC-1-AV kit) to the **OUTPUT** HDMI port.
5. Connect an RJ-45 Ethernet cable (not included) from the LAN to the Ethernet port.
6. Connect the power supply included with the HD-MD4X1-4K-E to the **24 V 0.75 A** port.

### Additional Information

Scan or click the QR code for detailed product information.



CBL-MULTI-6



CBL-MULTI-12

### Compliance and Legal

**Original Instructions:** The U.S. English version of this document is the original instructions. All other languages are a translation of the original instructions.

Crestron, the Crestron logo, and Crestron Mercury are either trademarks or registered trademarks of Crestron Electronics, Inc. in the United States and/or other countries. HDMI and the HDMI Logo are either trademarks or registered trademarks of HDMI Licensing LLC in the United States and/or other countries. USB Type-C is either a trademark or a registered trademark of USB Implementers Forum, Inc. in the United States and/or other countries. DisplayPort is either a trademark or a registered trademark of the Video Electronics Standards Association in the United States and/or other countries. Other trademarks, registered trademarks, and trade names may be used in this document to refer to either the entities claiming the marks and names or their products. Crestron disclaims any proprietary interest in the marks and names of others. Crestron is not responsible for errors in typography or photography.

©2019 Crestron Electronics, Inc.

**Crestron Electronics, Inc.**  
15 Volvo Drive, Rockleigh, NJ 07647  
Tel: 888.CRESTRON  
Fax: 201.767.7576  
[www.crestron.com](http://www.crestron.com)

**Quick Start - Doc. 8499B**  
(2054242)  
09/04/19

Specifications subject to change without notice.