

Crestron **TTK-4SM & SMK-4SM/730**
Table Top and Swivel Mount Kits

Installation Guide



The specific patents that cover Crestron products are listed at patents.crestron.com.

Crestron and the Crestron logo are either trademarks or registered trademarks of Crestron Electronics, Inc. in the United States and/or other countries. Other trademarks, registered trademarks, and trade names may be used in this document to refer to either the entities claiming the marks and names or their products. Crestron disclaims any proprietary interest in the marks and names of others. *Crestron is not responsible for errors in typography or photography.*

This document was written by the Technical Publications department at Crestron.
©2013 Crestron Electronics, Inc.

Contents

TableTop and Swivel Mount Kits: TTK-4SM & SMK-4SM/730	1
Introduction	1
Specifications	2
Physical Description	3
Setup	5
Supplied Hardware	5
Installation	7
Resources	18
Further Inquiries	18
Future Updates	18
Return and Warranty Policies	19
Merchandise Returns / Repair Service	19
Crestron Limited Warranty	19

TableTop and Swivel Mount Kits: TTK-4SM & SMK-4SM/730

Introduction

The TTK-4SM from Crestron[®] provides a stylish and convenient tabletop enclosure for the TPMC-4SM and TPMC-4SMD Touch Screens. It is also compatible with the TPCS-4SM and TPCS-4SMD Touch Screen Control Systems. The touch screen is angled when installed in the enclosure. The complete assembly may be placed on any flat, level surface.

An optional swivel mount accessory (SMK-4SM/730) is sold separately, providing a means for permanently mounting the TableTop Kit to a table, desk or countertop surface while retaining the ability to rotate it for optimal positioning. The swivel range can be customized using optional limit screws, with a maximum of 330 degree rotation allowed.

The swivel mount may be installed on any flat, level surface with a thickness of 1" (25 mm) minimum to 1 3/8" (35 mm) maximum. Wiring may be passed out the rear of the enclosure through a grommet and strain relief or routed through the bottom for a very clean, cordless appearance. The rear wire opening can accommodate a single cable up to 1/4" (6 mm) diameter. The bottom opening measures 29/32" (23 mm) diameter, while the swivel mount (sold separately) can accommodate a bundle of wires up to 11/16" (17 mm) diameter.

Specifications

Specifications for the TTK-4SM are listed in the following table.

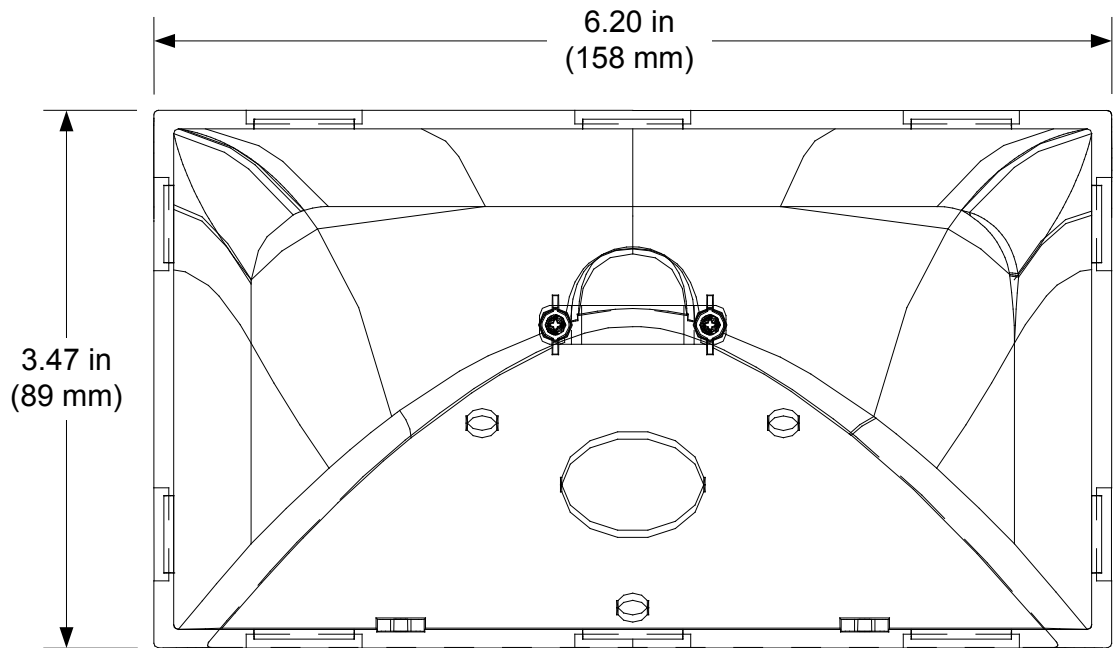
TTK-4SM Specifications

SPECIFICATION	DETAILS
Enclosure	Plastic, black or white; 45° fixed angle device opening; freestanding, surface mount or swivel mount installation*
Dimensions	
Height	2.60 in (66 mm); 2.69 in (69 mm) with swivel mount
Width	6.20 in (158 mm)
Depth	3.87 in (99 mm); 3.33 in (85 mm) without rear wire grommet
Dimensions (with touch screen installed)	
Height	3.07 in (78 mm); 3.16 in (81 mm) with swivel mount
Width	6.20 in (158 mm)
Depth	4.16 in (106 mm); 3.62 in (92 mm) without rear wire grommet
Available Models	
TTK-4SM-B-S	TableTop Kit for TPMC-4SM Series, Black
TTK-4SM-W-S	TableTop Kit for TPMC-4SM Series, White
Available Accessories	
SMK-4SM/730	Swivel Mount Kit for TTK-4SM Series and TSW-730-TTK

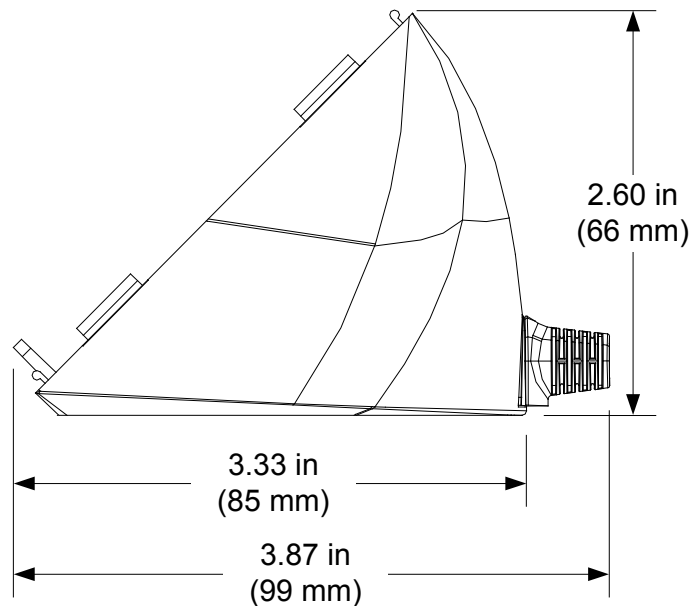
* SMK-4SM/730 Swivel Mount Kit sold separately.

Physical Description

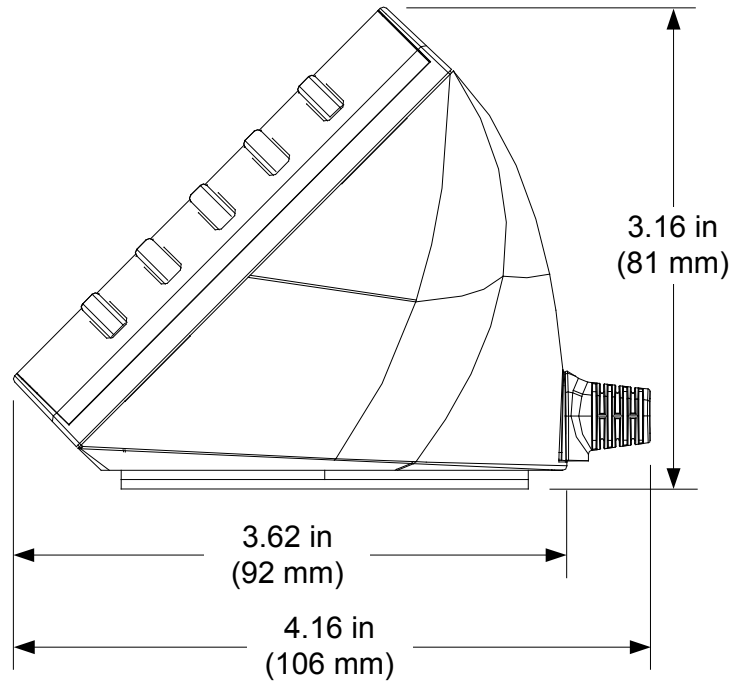
TTK-4SM Overall Dimensions (Front View)



TTK-4SM Overall Dimensions (Side View, Shown with Rear Wire Grommet)



TTK-4SM Overall Dimensions (Side View, Shown with Rear Wire Grommet, Swivel Mount and Touch Screen Installed)



Setup

Supplied Hardware

The hardware supplied with the TTK-4SM is listed in the following table.

Supplied Hardware for the TTK-4SM

DESCRIPTION	PART NUMBER	QUANTITY
Plug Insert, Black ¹	2023934	1
Plug Insert, White ²	2025978	1
Plug Insert, Black ¹	2023936	1
Plug Insert, White ²	2025979	1
Rubber Cable Grommet, Black ¹	2016924	1
Rubber Cable Grommet, White ²	2021878	1
Metal Wire Capture	2023044	1
Screw, #04-20 x 1/2", Pan, Phil	2007138	2
Screw, #08-16 x 1/2", Steel, Pan, Phil	2023942	3
Template, Overlay, Table Cutout	4509170	1

1. This part comes with TTK-4SM-B-S (Black).
2. This part comes with TTK-4SM-W-S (White).

The hardware supplied with the SMK-4SM/730 is listed in the following table.

Supplied Hardware for the SMK-4SM/730

DESCRIPTION	PART NUMBER	QUANTITY
Assembly, Swivel Stop Plate and Screw	4504353	1
Metal Washer, Keyed, Swivel Stop	4506321	1
Cork/Rubber Washer, Custom, Swivel	2017614	1
Rubber Washer, Custom, Swivel	2017615	1
Screw, #08-32 x 1/8", Steel, Socket Head	2017634	2
Washer, Flat Steel, 7/8-A, Narrow, 15/16" Inner Diameter, 1.75" Outer Diameter, 0.134" Thick	2017633	1
Metal Top Plate, Swivel	2024684	1
Nut, #7/8"-14, 1 15/16" Hex Diameter, 31/64" H, Steel, Zinc	2017632	1
Screw, #08-8B x 1/2", Steel, Pan, Phil	2017784	6
Nut, Keps, #08-32, External, Hex, Steel, Zinc	2004886	3
Template, Overlay, Table Cutout	4509170	1

Installation

To attach a TPMC-4SM Series touch screen to the TTK-4SM and install the assembly on a suitable mounting surface, refer to the following procedures.

Preparing the TTK-4SM

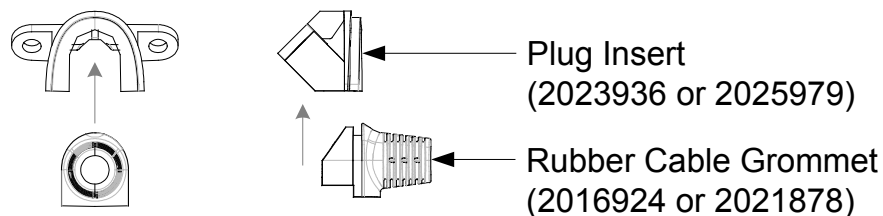
The TTK-4SM comes with a variety of parts for routing device cabling through either the back of the unit or, for mounting to a table top or other flat surface, through the bottom for a neat appearance. There are two options for routing cables through the back of the unit and one for routing cables through the bottom.

Single Cable Routing Through Rear of TTK-4SM

For routing a single CAT5 cable through the rear of the TTK-4SM, use the plug insert (2023936 on black models or 2025979 on white models) and the rubber cable grommet (2016924 on black models or 2021878 on white models) that are included with the TTK-4SM.

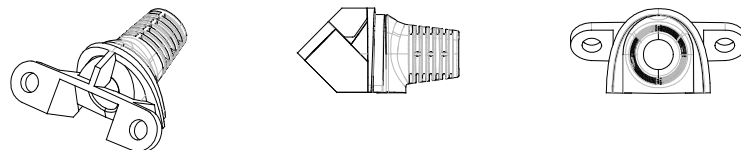
These parts are to be joined together as shown in the following illustration.

Plug Insert (2023936 or 2025979) and Rubber Cable Grommet (2016924 or 2021878) Assembly

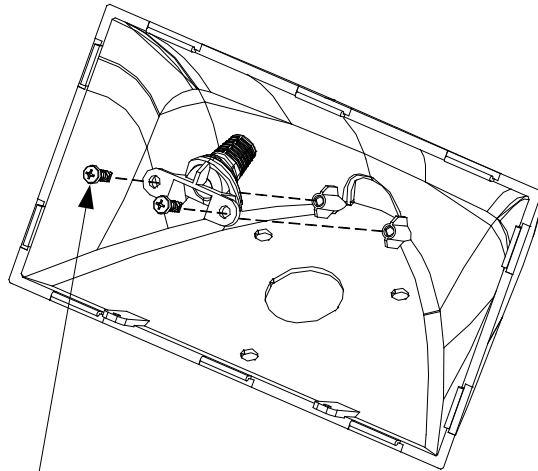


The following illustration shows the two parts assembled and ready for installation in the TTK-4SM.

Assembly Ready for Installation (Iso, Side and Rear Views)



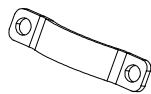
Attach the assembly to the TTK-4SM using the two included #04-20 x 1/2" screws (2007138), as shown in the illustration on the following page.

Attaching Plug Insert/Grommet Assembly to TTK-4SM

Screws (2) #04-20 x 1/2"
(2007138)

Multiple Cable Routing Through Rear of TTK-4SM

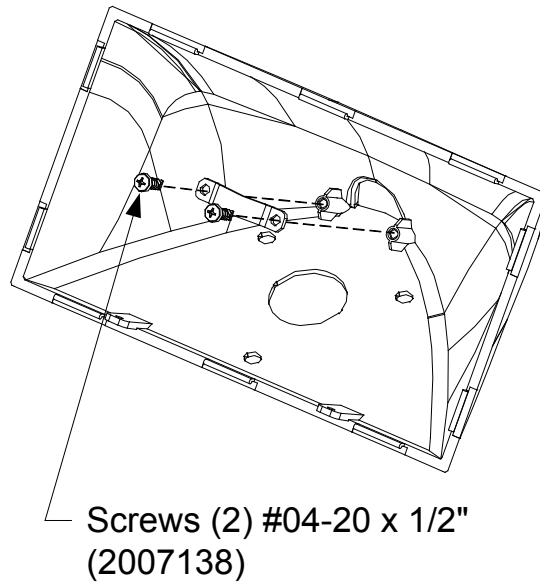
For routing multiple cables through the rear of the TTK-4SM, use the included metal wire capture (2023044) without the cable grommet.

Metal Wire Capture (2023044)

← Metal Wire Capture
(2023044)

Attach the metal wire capture to the TTK-4SM using the two included #04-20 x 1/2" screws (2007138), as shown in the illustration on the following page.

Attaching Metal Wire Capture to TTK-4SM

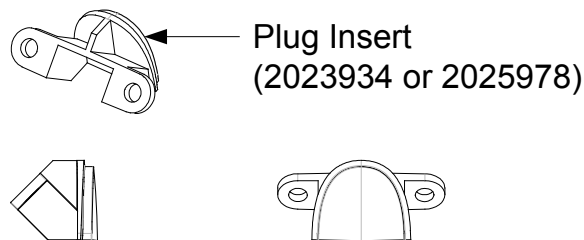


The illustration above shows metal wire capture installed “bow” side up. When fewer cables are routed through the rear of the TTK-4SM, installing the metal wire capture “bow” side down holds the cables more securely.

Cable Routing Through Bottom of TTK-4SM

When routing cables through the bottom of the TTK-4SM, use the other included plug insert (2023934 for black models or 2025978 for white models) to close the opening on the rear of the unit.

Plug Insert (2023934 or 2025978) (Iso, Rear and Side Views)

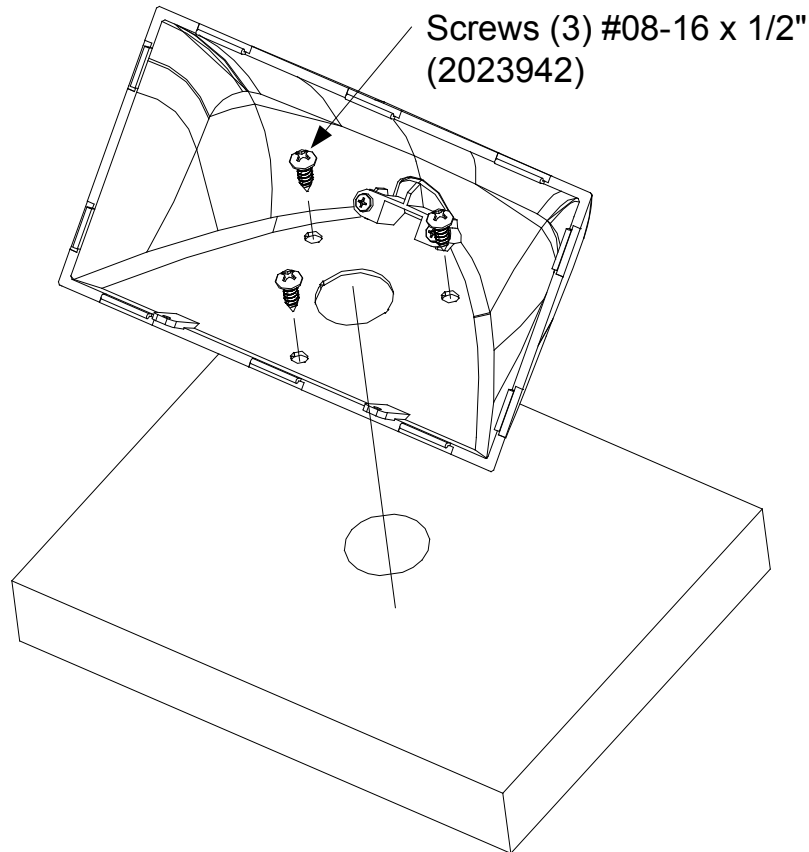


Attach the plug insert (2023934 or 2025978) to the TTK-4SM using the two included #04-20 x 1/2” screws (2007138). For a depiction of a similar attachment, refer to the illustration at the top of page 8.

Attaching the TTK-4SM to a Flat Surface

Use the three included #08-16 x 1/2" screws (2023942) to attach the TTK-4SM to a table top or other flat surface, as shown in the illustration below.

Attaching the TTK-4SM to a Flat Surface

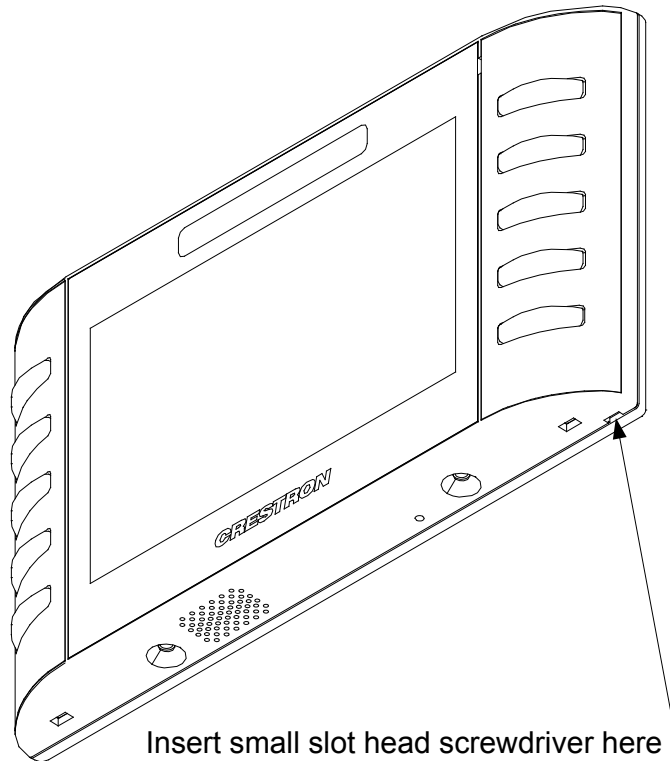


Mounting the TPMC-4SM Series Touch Screen in the TTK-4SM

If the touch screen is currently mounted in an electrical box, perform the following procedure:

1. Use a small, slot head screwdriver to gently separate the touch screen from the back cover. For location of screwdriver insertion point, refer to the illustration on the following page.
2. Disconnect any cables that are attached to the device

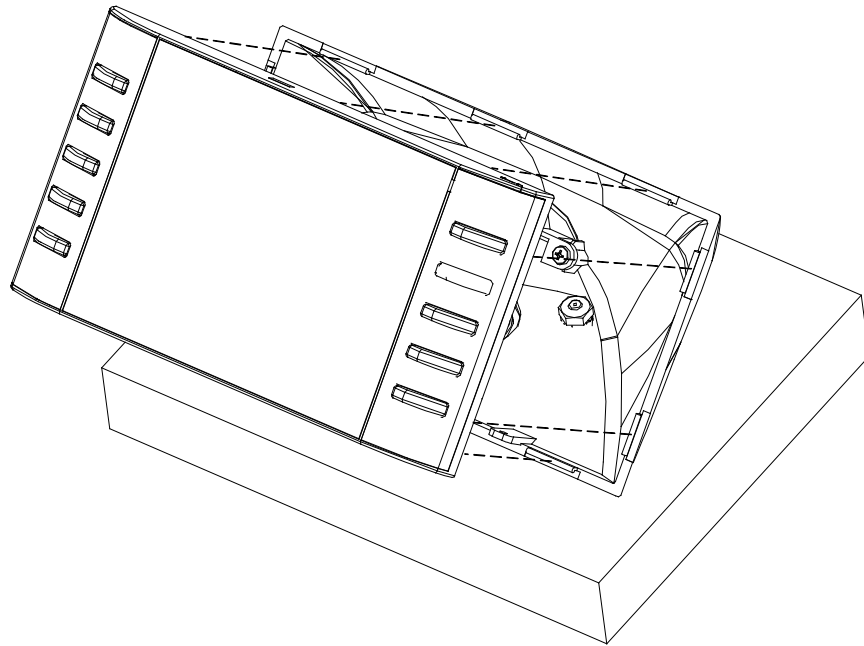
Screwdriver Insertion Point for Detaching Touch Screen



To mount the touch screen in the TTK-4SM, perform the following procedure:

1. If the device's back cover is still attached, use a small, slot head screwdriver to gently separate the touch screen from the back cover. For location of screwdriver insertion point, refer to the illustration above.
2. Align the tabs on the rear of the touch screen with those on the TTK-4SM and simply snap the touch screen into place. Refer to the illustration on the following page.

Mounting the Touch Screen in the TTK-4SM



SMK-4SM/730 Assembly

Preparing an Already Mounted TTK-4SM

If the TTK-4SM is already mounted on a table top or other flat surface, to install the SMK-4SM/730 swivel mount, prepare the TTK-4SM using the following procedure:

1. Remove the touch screen from the TTK-4SM by using a small, slot head screwdriver to gently separate the touch screen from the TTK-4SM. For location of screwdriver insertion point, refer to the illustration on the previous page.
2. With the touch screen removed from the TTK-4SM, remove the three #08-16 x 1/2" screws (2023942) attaching the TTK-4SM to the surface. Refer to illustration on page 10.

Routing the Cables

For new installations or to change an existing one, refer to the sections called out in the following two paragraphs.

To route a single CAT5 cable through the rear of the TTK-4SM, refer to "Single Cable Routing Through Rear of TTK-4SM" which starts on page 7. To use multiple cables routed through the rear of the unit, refer to

“Multiple Cable Routing Through Rear of TTK-4SM” which starts on page 8.

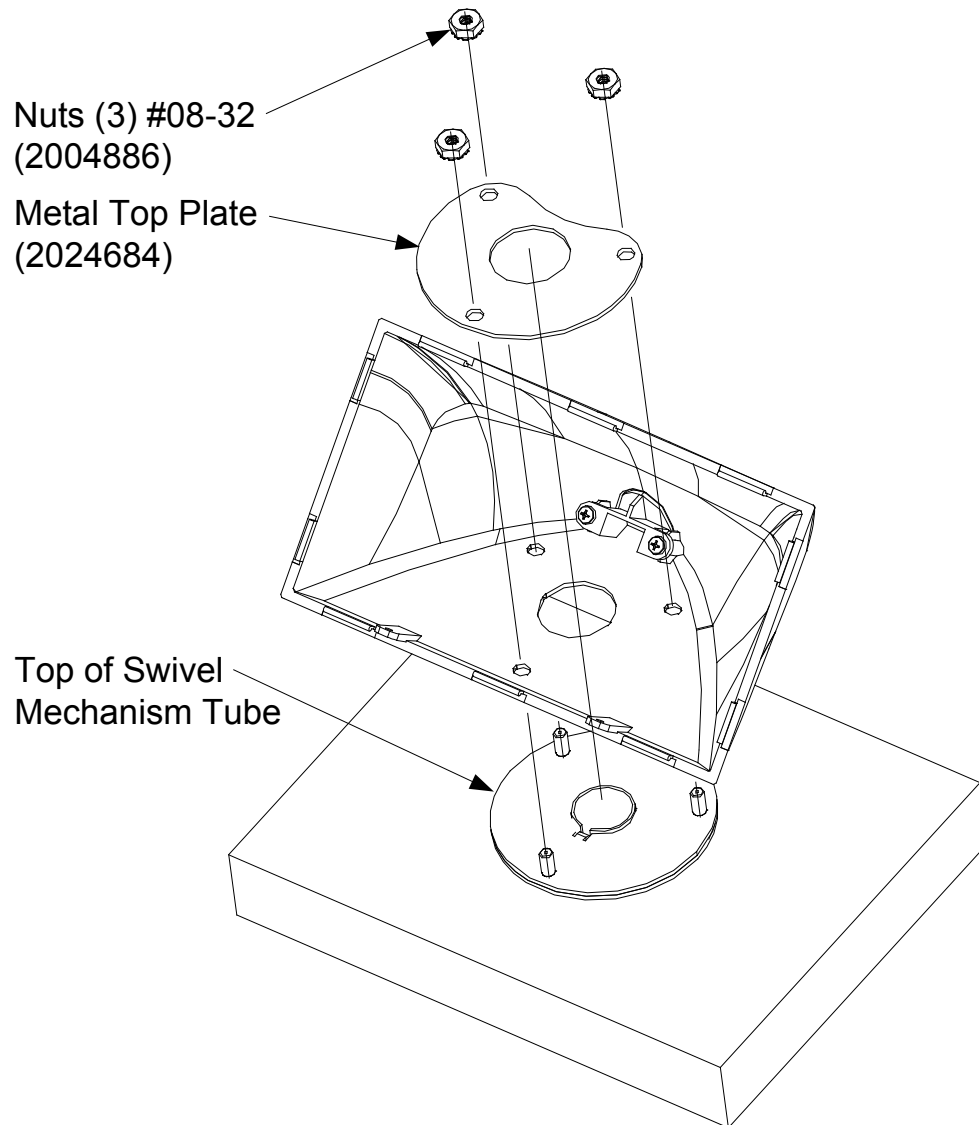
To have cables exit through the bottom of the TTK-4SM, refer to “Cable Routing Through Bottom of TTK-4SM” on page 9.

Assembling the Swivel Mount

To assemble the swivel mount, perform the following procedure:

1. Attach and secure the swivel mechanism tube to the bottom of the TTK-4SM using the metal top plate (2024684) and three #08-32 nuts (2004886) included with the SMK-4SM/730, as shown in the illustration on the following page.

Attaching Metal Top Plate and Swivel Mechanism Tube to TTK-4SM



2. If cables are routed to exit through the bottom of the TTK-4SM, feed the full length of the cable through the swivel mechanism tube.

NOTE: To use the two security screws included with the touch screen for the bottom of the unit, cables should be attached to the rear of the touch screen and the TTK-4SM secured to the SMK-4SM/730 before proceeding with the following steps.

3. Prepare the mounting surface using the template (4504871) provided with the kit. The center hole diameter for the swivel

mechanism tube should be 7/8" (22 mm) minimum, 15/16" (24 mm) maximum. Position the template so the edge indicated as the front edge of the table or surface aligns with the desired front position of the TTK-4SM. Observe the dashed line indicating the front edge of the TTK-4SM to ensure the device does not overhang the mounting surface.

4. Using the six mounting holes on the swivel stop plate as a template, drill pilot holes 0.093" (2 mm) minimum, 0.115" (3 mm) maximum diameter and no deeper than 0.35" (9 mm). Attach the swivel stop plate to the bottom of the mounting surface using the six #08-8B x 1/2" screws (2017784) provided with the kit. Pass the swivel mechanism tube down through the mounting hole and stop plate.

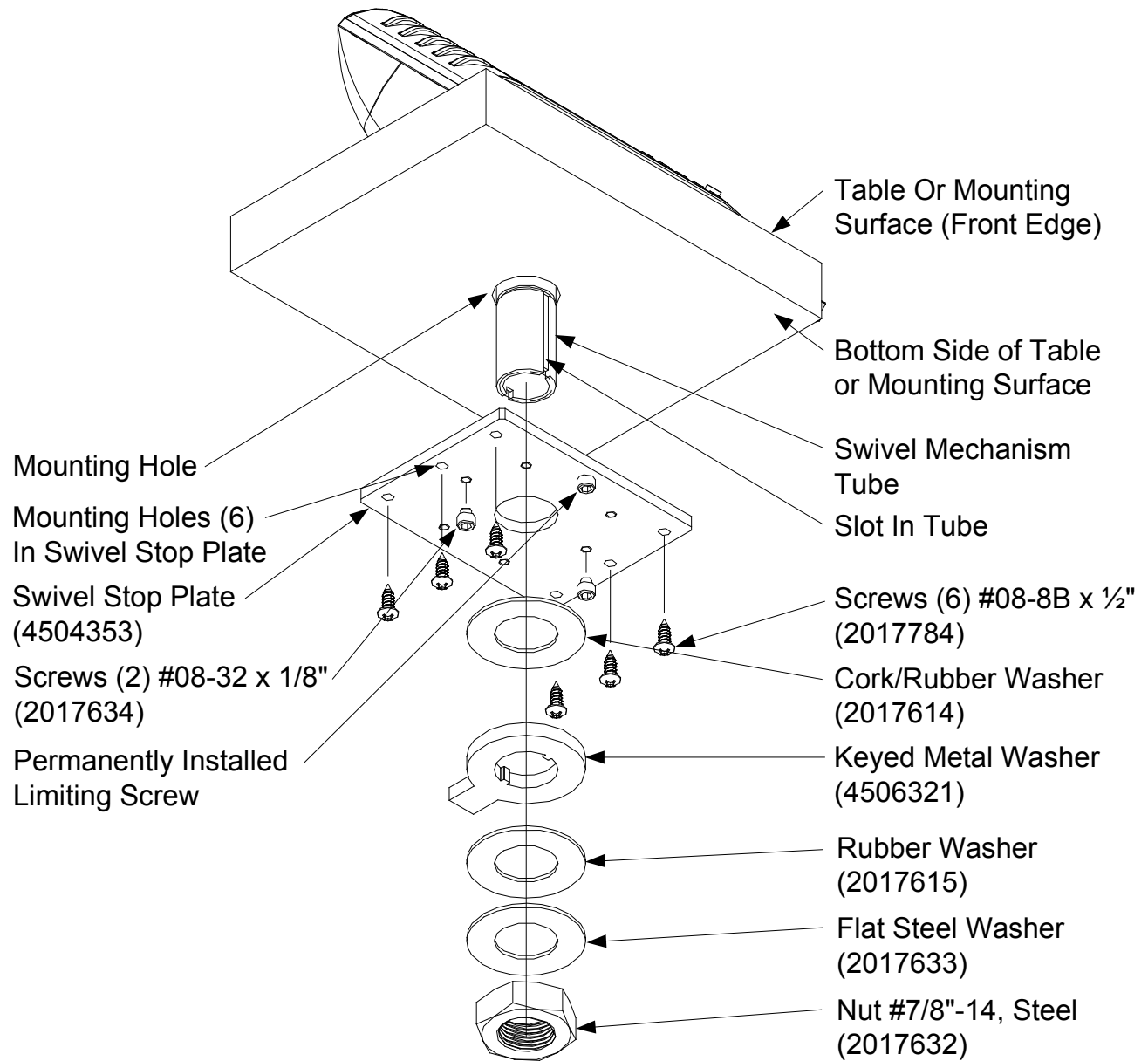
NOTE: The swivel stop plate has a permanently installed limiting screw to prevent the swivel mechanism from spinning continuously in one direction and tangling the cable attached to the touch screen.

5. Slide the provided hardware up onto the swivel tube in the order indicated in the illustration on the following page.

NOTE: The keyed metal washer (4506321) fits onto the swivel mechanism tube in one of two orientations. Orient the tab on the washer to face away from the permanently installed limiting screw in the swivel stop plate.

6. Tighten and adjust the provided #7/8"-14 nut (2017632) onto the swivel tube to achieve the desired resistance in swivel assembly motion. A flat tool (such as a large flat head screwdriver) may be used in the slot on the bottom of the swivel mechanism tube to hold the tube still while tightening the nut.

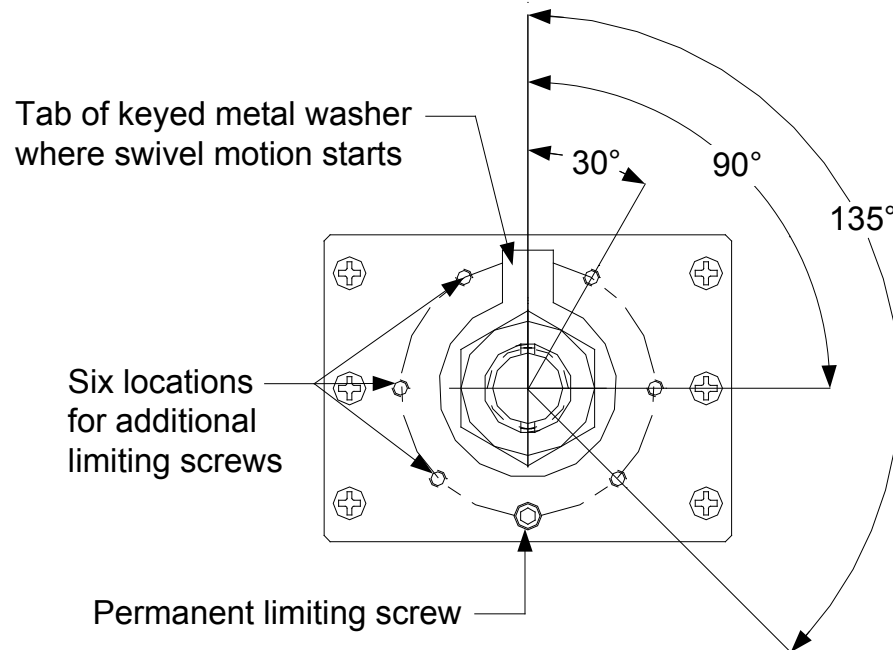
Swivel Mechanism Assembly



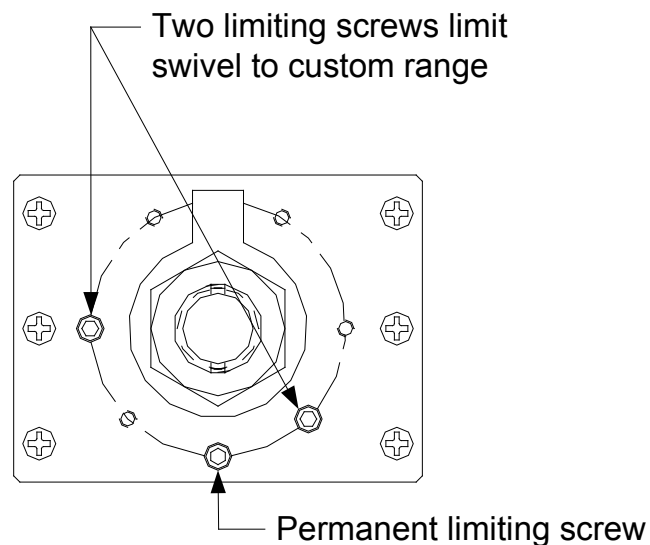
Customize Range

Aside from the permanently installed limiting screw attached to the swivel stop plate, two additional #08-32 x 1/8" limiting screws (2017634) are included with the SMK-4SM/730. These screws are provided to set a custom range for swivel movement. Refer to the illustrations below for their application.

Swivel Stop Plate with Permanent Limiting Screw



Swivel Stop Plate with Additional Limiting Screws



Resources

Further Inquiries

To locate specific information or resolve questions after reviewing this guide, contact Crestron's True Blue Support at 1-888-CRESTRON [1-888-273-7876] or refer to the listing of Crestron worldwide offices on the Crestron Web site (www.crestron.com/offices) for assistance within a particular geographic region.

To post a question about Crestron products, log onto the Online Help section of the Crestron Web site (www.crestron.com/onlinehelp).

First-time users must establish a user account to fully benefit from all available features.

Future Updates

As Crestron improves functions, adds new features and extends the capabilities of the TTK-4SM and SMK-4SM/730, additional information may be made available as manual updates. These updates are solely electronic and serve as intermediary supplements prior to the release of a complete technical documentation revision.

Check the Crestron Web site periodically for manual update availability and its relevance. Updates are identified as an “Addendum” in the Download column.

Return and Warranty Policies

Merchandise Returns / Repair Service

1. No merchandise may be returned for credit, exchange or service without prior authorization from Crestron. To obtain warranty service for Crestron products, contact an authorized Crestron dealer. Only authorized Crestron dealers may contact the factory and request an RMA (Return Merchandise Authorization) number. Enclose a note specifying the nature of the problem, name and phone number of contact person, RMA number and return address.
2. Products may be returned for credit, exchange or service with a Crestron Return Merchandise Authorization (RMA) number. Authorized returns must be shipped freight prepaid to Crestron, 6 Volvo Drive, Rockleigh, N.J. or its authorized subsidiaries, with RMA number clearly marked on the outside of all cartons. Shipments arriving freight collect or without an RMA number shall be subject to refusal. Crestron reserves the right in its sole and absolute discretion to charge a 15% restocking fee plus shipping costs on any products returned with an RMA.
3. Return freight charges following repair of items under warranty shall be paid by Crestron, shipping by standard ground carrier. In the event repairs are found to be non-warranty, return freight costs shall be paid by the purchaser.

Crestron Limited Warranty

Crestron Electronics, Inc. warrants its products to be free from manufacturing defects in materials and workmanship under normal use for a period of three (3) years from the date of purchase from Crestron, with the following exceptions: disk drives and any other moving or rotating mechanical parts, pan/tilt heads and power supplies are covered for a period of one (1) year; touch screen display and overlay components are covered for 90 days; batteries and incandescent lamps are not covered.

This warranty extends to products purchased directly from Crestron or an authorized Crestron dealer. Purchasers should inquire of the dealer regarding the nature and extent of the dealer's warranty, if any.

Crestron shall not be liable to honor the terms of this warranty if the product has been used in any application other than that for which it was intended or if it has been subjected to misuse, accidental damage, modification or improper installation procedures. Furthermore, this warranty does not cover any product that has had the serial number altered, defaced or removed.

This warranty shall be the sole and exclusive remedy to the original purchaser. In no event shall Crestron be liable for incidental or consequential damages of any kind (property or economic damages inclusive) arising from the sale or use of this equipment. Crestron is not liable for any claim made by a third party or made by the purchaser for a third party.

Crestron shall, at its option, repair or replace any product found defective, without charge for parts or labor. Repaired or replaced equipment and parts supplied under this warranty shall be covered only by the unexpired portion of the warranty.

Except as expressly set forth in this warranty, Crestron makes no other warranties, expressed or implied, nor authorizes any other party to offer any warranty, including any implied warranties of merchantability or fitness for a particular purpose. Any implied warranties that may be imposed by law are limited to the terms of this limited warranty. This warranty statement supersedes all previous warranties.



Crestron Electronics, Inc.
15 Volvo Drive Rockleigh, NJ 07647
Tel: 888.CRESTRON
Fax: 201.767.7576
www.crestron.com



Installation Guide – DOC. 6847D
(2024712)
06.13

Specifications subject to
change without notice.