

TSW-1050 10.1" Touch Screen

DO Install the Touch Screen

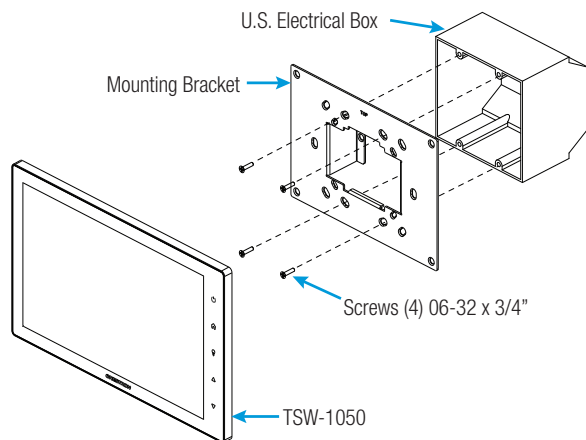
The Crestron® TSW-1050 touch screen installs easily over a standard 2-gang or 3-gang U.S. electrical box or a 2-gang European electrical box. It can also be attached directly to drywall and other surfaces over the front of a 2 3/8" (60 mm) high by 3 3/8" (86 mm) wide cutout. When installed, the touch screen protrudes just 1/2" (13 mm) from the mounting surface and is magnetically adhered to its mounting bracket, eliminating any visible screws for an ultra clean appearance.

To mount the TSW-1050 into an electrical box, use the following procedure:

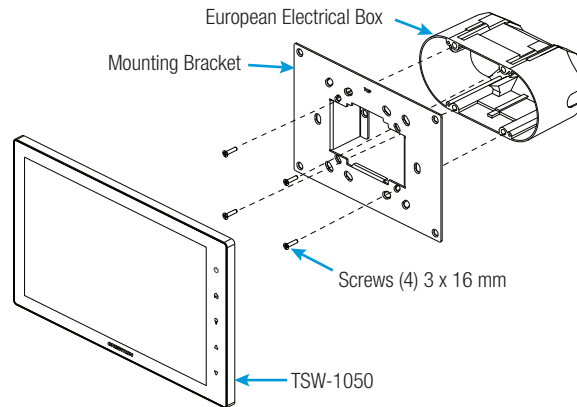
1. Use four of the eight included screws (four 06-32 x 3/4" or four 3 x 16 mm screws) to attach the mounting bracket to the electrical box, as shown in the following illustrations.

NOTE: For U.S.-style installations, use a #2 Phillips screwdriver. For European-style installations, use a #1 Phillips screwdriver or equivalent.

For U.S.-style installations, use the 06-32 x 3/4" screws.

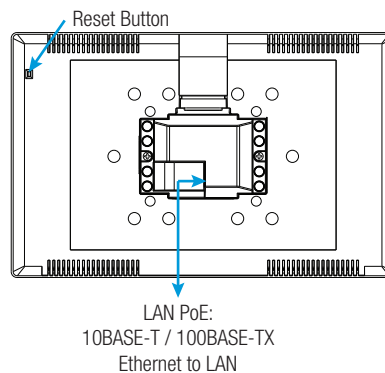


For European-style installations, use the 3 x 16 mm screws.



2. Make connections to the TSW-1050 using Crestron power supplies for Crestron equipment. Power and data connection to the TSW-1050 is provided by a single Ethernet cable connected to the LAN port at the rear of the unit. A Crestron PoE power supply or PoE-capable network switch is recommended (both sold separately). Apply power after the Ethernet cable is connected.

Hardware Connection for the TSW-1050



DO Check the Box

QTY	PRODUCT	PART NUM.
1	Metal Mounting Bracket	2034503
4	Screws, 06-32 x 3/4"	2033247
4	Screws, 3 x 16 mm	2013788
2	Screws, M3.5 x 25 mm	2023756

3. Carefully hold the touch screen over the mounting bracket and gently place it in position. The magnets on the rear of the touch screen hold it in place on the mounting bracket.

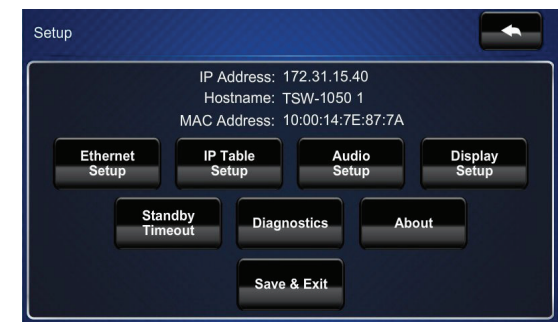
DO Access the Setup Screen

NOTE: The TSW-1050 can take up to 120 seconds to boot.

When power is applied for the first time, the screen shown in the following illustration appears.

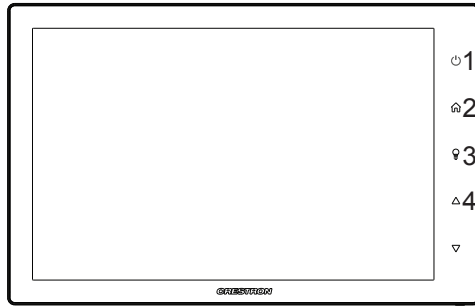


Touch the **Setup** button to display the TSW-1050 Setup screen. The buttons on the Setup screen enable basic configuration prior to regular operation of the TSW-1050.



NOTE: During regular operation of the touch screen, there are two ways to activate the setup functions:

1. Place a button on the project main page and assign the reserved join number (17242) that activates setup.
2. Touch the hard keys labeled below as 1, 2, 3, and 4 in sequence twice (touch 1, 2, 3, 4, 1, 2, 3, 4) within a 5 second period.



NOTE: For details on configuring the TSW-1050, refer to Doc. 7366 at www.crestron.com/manuals.

DO Learn More

Visit the website for additional information and the latest firmware updates.

Crestron Electronics
15 Volvo Drive, Rockleigh, NJ 07647
888.CRESTRON | www.crestron.com



CE As of the date of manufacture, the product has been tested and found to comply with specifications for CE marking.

Federal Communications Commission (FCC) Compliance Statement

This device complies with part 15 of the FCC Rules. Operation is subject to the following conditions:

(1) This device may not cause harmful interference and (2) this device must accept any interference received, including interference that may cause undesired operation.

CAUTION: Changes or modifications not expressly approved by the manufacturer responsible for compliance could void the user's authority to operate the equipment.

NOTE: This equipment has been tested and found to comply with the limits for a Class B digital device, pursuant to part 15 of the FCC Rules. These limits are designed to provide reasonable protection against harmful interference in a residential installation. This equipment generates, uses and can radiate radio frequency energy and, if not installed and used in accordance with the instructions, may cause harmful interference to radio communications. However, there is no guarantee that interference will not occur in a particular installation.

If this equipment does cause harmful interference to radio or television reception, which can be determined by turning the equipment off and on, the user is encouraged to try to correct the interference by one or more of the following measures:

- Reorient or relocate the receiving antenna
- Increase the separation between the equipment and receiver
- Connect the equipment into an outlet on a circuit different from that to which the receiver is connected
- Consult the dealer or an experienced radio/TV technician for help

Industry Canada (IC) Compliance Statement

CAN ICES-3(B)/NMB-3(B)

Crestron product development software is licensed to Crestron dealers and Crestron Service Providers (CSPs) under a limited non-exclusive, non-transferable Software Development Tools License Agreement. Crestron product operating system software is licensed to Crestron dealers, CSPs, and end-users under a separate End-User License Agreement. Both of these Agreements can be found on the Crestron website at www.crestron.com/legal/software_license_agreement.

The specific patents that cover Crestron products are listed at patents.crestron.com.

The product warranty can be found at www.crestron.com/warranty.

Crestron and the Crestron logo are either trademarks or registered trademarks of Crestron Electronics, Inc. in the United States and/or other countries. Other trademarks, registered trademarks, and trade names may be used in this document to refer to either the entities claiming the marks and names or their products. Crestron disclaims any proprietary interest in the marks and names of others. Crestron is not responsible for errors in typography or photography.

This document was written by the Technical Publications department at Crestron.

©2015 Crestron Electronics, Inc.