


# Enterprise Room Solutions

## Systems Design Guide



Simple • Scalable • Secure



This guide provides an overview  
of the most common Crestron  
Enterprise Room Solutions.

Go to [crestron.com/designcenter](https://crestron.com/designcenter)  
for complete information including  
CAD drawings, CSI specs, and more.

# Table of Contents

- 01 Huddle Room
- 03 Huddle Room – Wall Plate
- 05 Collaborate 2 – 14 People
- 07 Collaborate 3 – 12 People
- 09 Free Form 2 – 4 People
- 11 Free Form 2 – 8 People
- 13 Skype® for Business Room
- 15 Present 4 – 12 People
- 17 Present 6 – 18 People
- 19 Conference 10 – 20 People
- 21 Executive Boardroom
- 23 Lobby / Reception Area
- 25 Digital Signage
- 27 Zoom Rooms
- 28 Crestron World Map

## Enterprise Room Solutions

# Huddle Room

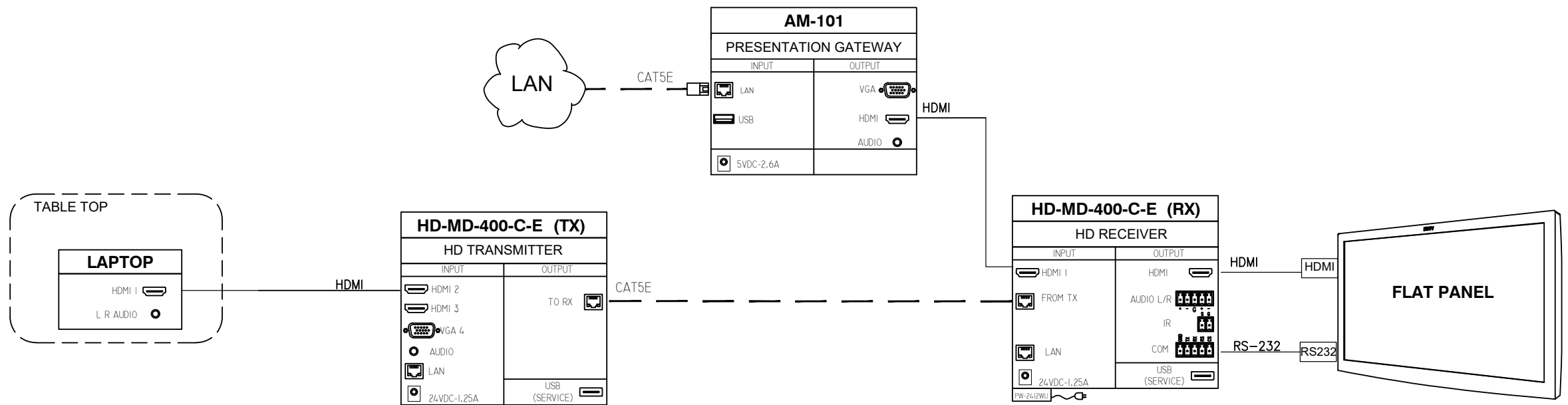
### Benefits

- Wired and wireless presentation
- 4X1 auto-switching with built-in scaling
- Extend AV signals up to 70m over standard CAT5e
- Display control via CEC, serial, or IR

### Bill of Materials

Qty	Model Number	Description
1	HD-MD-400-C-E	HD Scaling Auto-Switcher & Extender
1	AM-101	AirMedia® Presentation Gateway





## Enterprise Room Solutions

# Huddle Room – Wall Plate

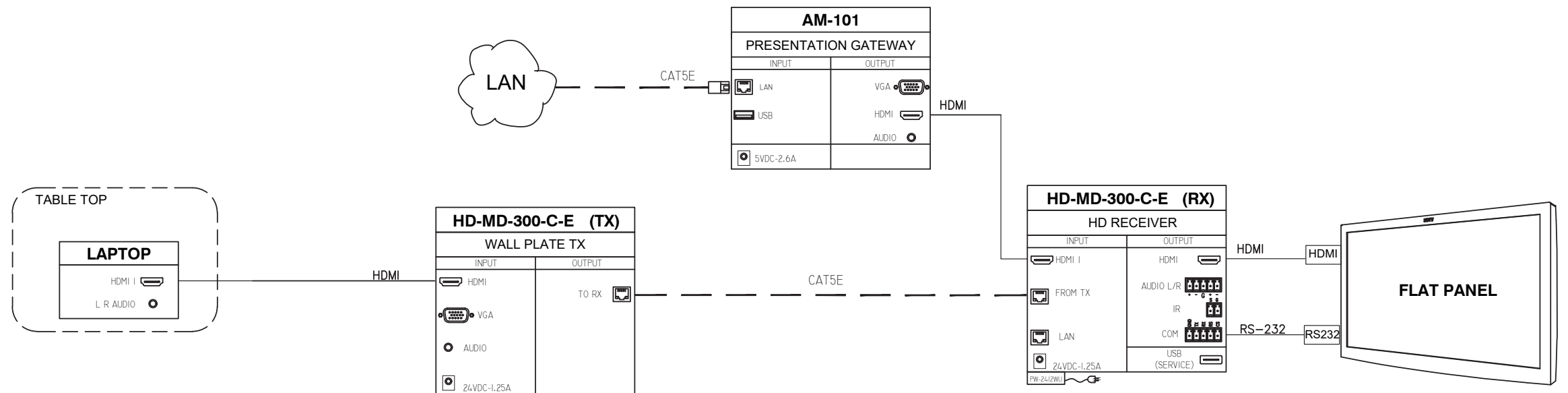
### Benefits

- Wired and wireless presentation
- 2-gang wall plate transmitter
- 3X1 auto-switching with built-in scaling
- Extend AV signals up to 70m over standard CAT5e
- Display control via CEC, serial, or IR

### Bill of Materials

Qty	Model Number	Description
1	HD-MD-300-C-E	HD Scaling Auto-Switcher & Extender
1	AM-101	AirMedia Presentation Gateway





## Enterprise Room Solutions

# Collaborate 2 – 14 People

### Benefits

- Open SIP conference phone
- Supports any web collaboration application
- Wired and wireless presentation
- On-screen room availability and meeting details
- Enterprise provisioning and management
- Built-in occupancy sensor for usage and data reporting

### Bill of Materials

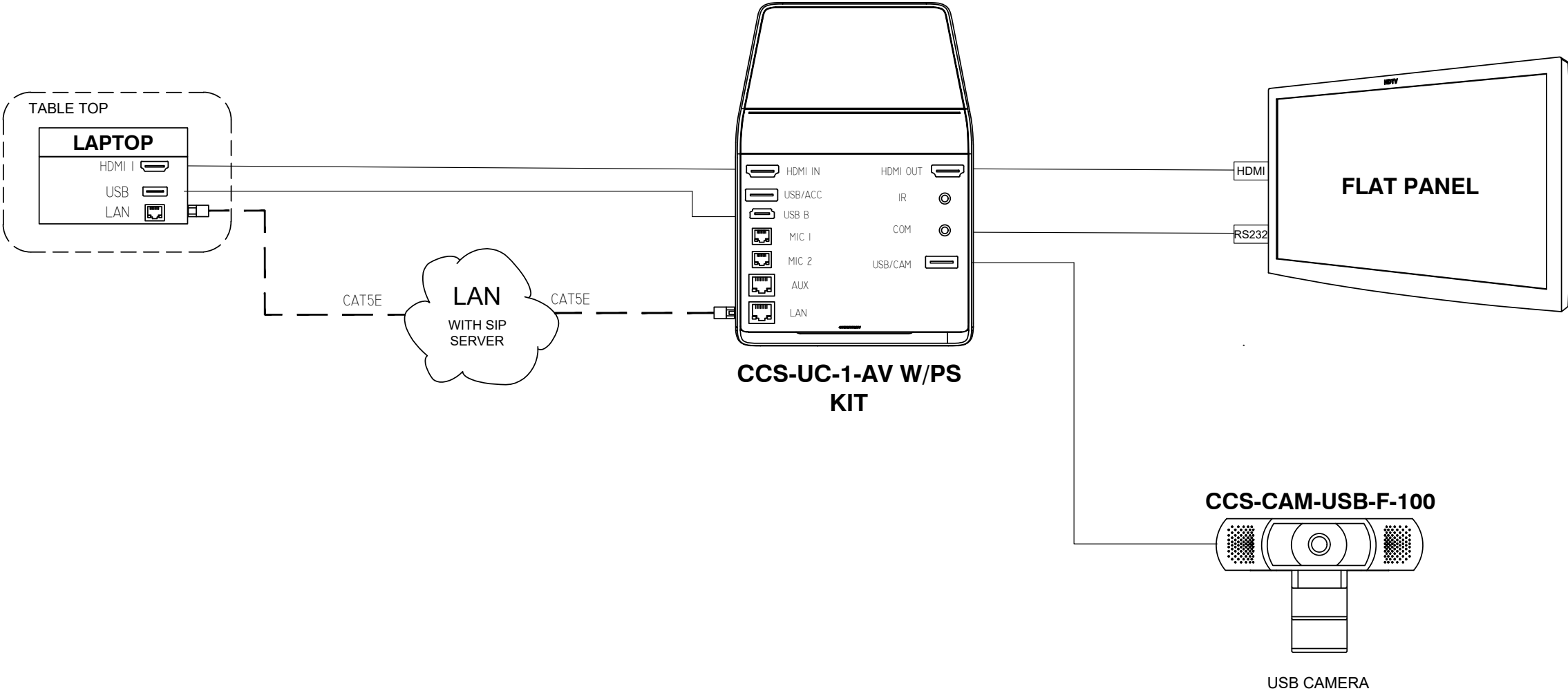
Qty	Model Number	Description
1	CCS-UC-1	Crestron Mercury™ Tabletop Meeting Solution







# MERCURY TABLETOP CONFERENCE SYSTEM



## Enterprise Room Solutions

# Collaborate 3 – 12 People

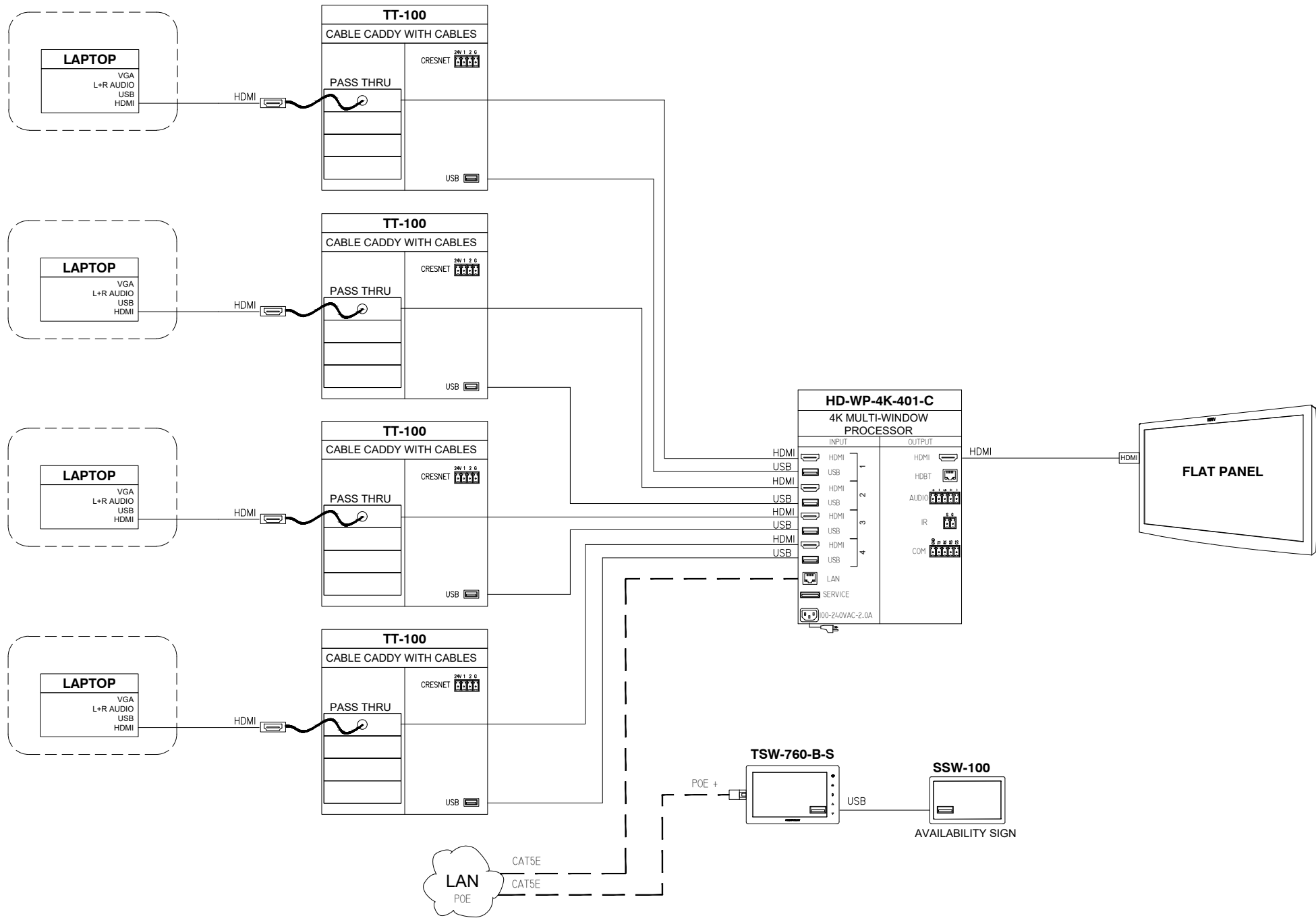
### Benefits

- Display configures automatically based on number of connected sources
- Supports up to four Crestron Connect It™ for tabletop control
- Parallel HDMI® and HDBaseT® outputs
- Setup and configuration using front panel controls or web browser
- Standalone operation supported for set-and-forget windowing applications

### Bill of Materials

Qty	Model Number	Description
1	HD-WP-4K-401-C	4K Multi-Window Video Processor
4	TT-100	Crestron Connect It Cable Caddy
1	TSW-760	7" Room Scheduling Touch Screen
1	SSW	Room Availability Hallway Sign





## Enterprise Room Solutions

# Free Form 2 – 4 People

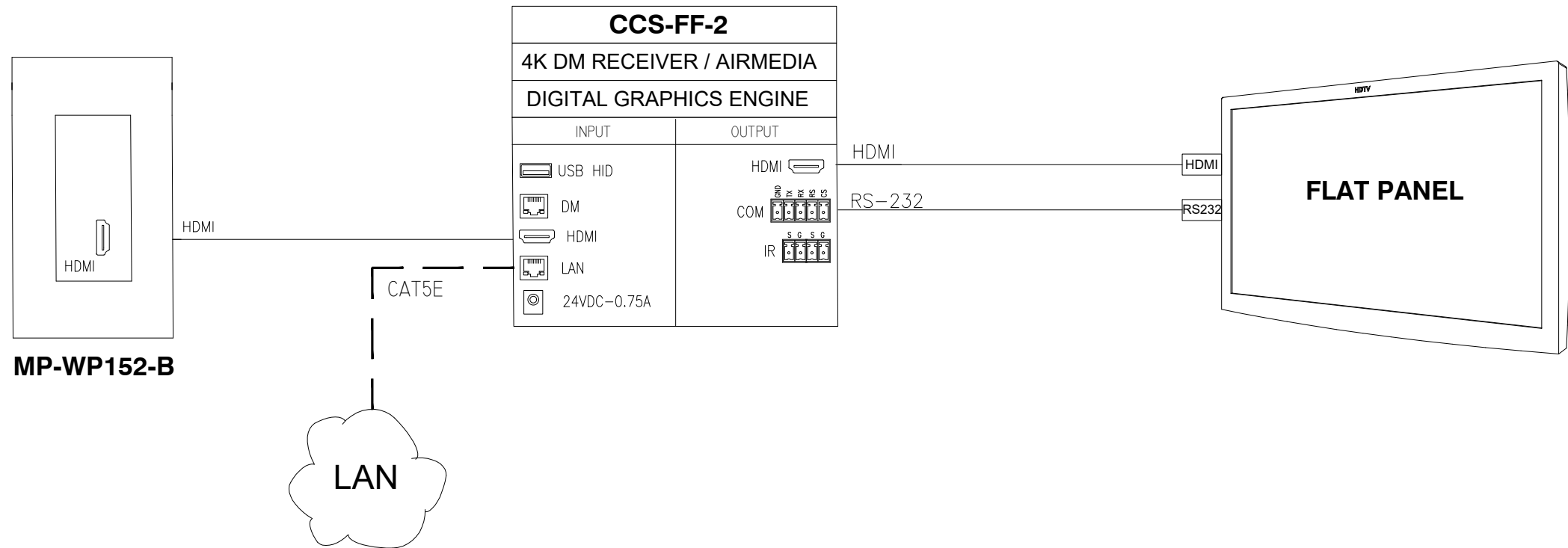
### Benefits

- Plug-in-and-present wired or wirelessly with auto-switching
- Display calendar and custom graphics on room display
- Auto display on/off via CEC, serial, or IR
- Crestron Fusion® room monitoring
- Wireless keypad control from anywhere in the room

### Bill of Materials

Qty	Model Number	Description
1	CCS-FF-2	4K DigitalMedia Receiver and Digital Graphics Engine with AirMedia
1	MP-WP152	HDMI Wall Plate Transmitter





## Enterprise Room Solutions

# Free Form 2 – 8 People

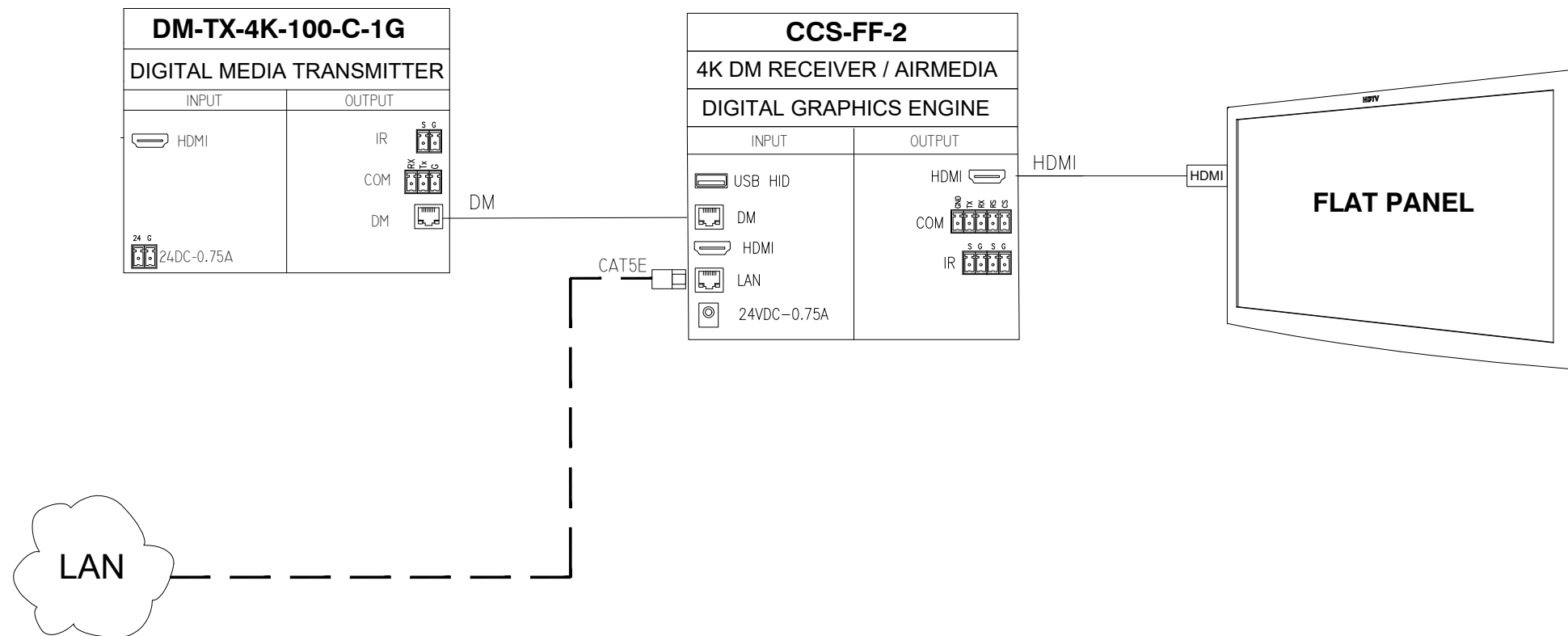
### Benefits

- Plug-in-and-present wired or wirelessly with auto-switching
- Display calendar and custom graphics on room display
- Auto display on/off via CEC, serial, IR, or IP
- Crestron Fusion room monitoring
- Occupancy sensor automates room and optimizes availability

### Bill of Materials

Qty	Model Number	Description
1	CCS-FF-2	4K DigitalMedia Receiver and Digital Graphics Engine with AirMedia
1	DM-TX-4K-100-C-1G	Wall Plate 4K DigitalMedia Transmitter





## Enterprise Room Solutions

# Skype for Business Room

### Benefits

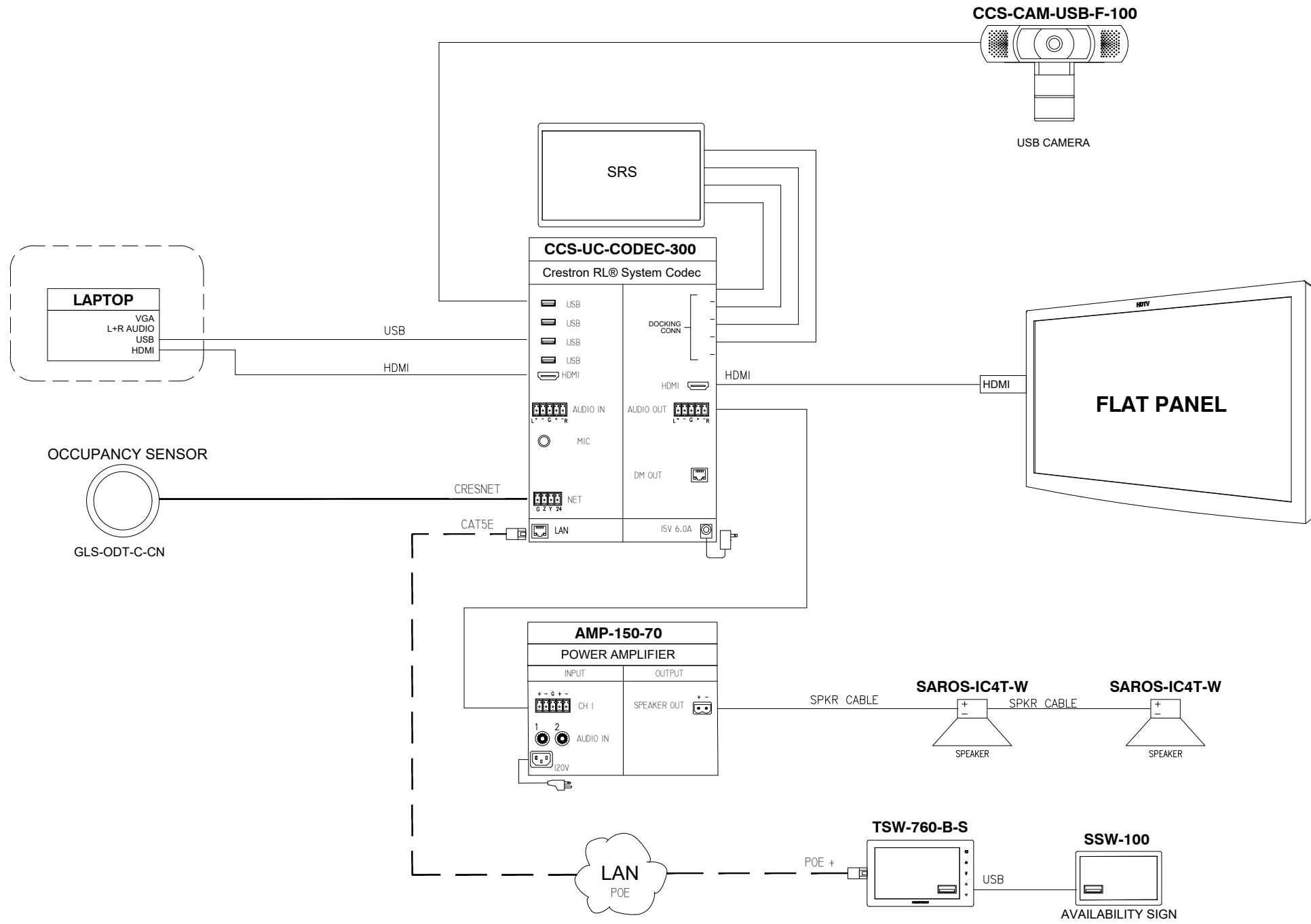
- Integrated Surface Pro® 4 with native Skype for Business via tabletop dock
- Engine with connectivity mounts under table
- Integrated Crestron room control, Crestron Fusion, and PinPoint™
- HDMI® input and output, DM® out
- Six USB ports for accessories
- Cresnet® port for occupancy sensor

### Bill of Materials

Qty	Model Number	Description
1	CCS-UC-CODEC-300	Crestron SR Collaboration Codec
1	AMP-150-70	Modular Power Amplifier
2	SAROS IC4T	Saros® 4" 2-Way In-Ceiling Speaker
1	TSW-760	7" Room Scheduling Touch Screen
1	SSW	Room Availability Hallway Sign
1	GLS-ODT-C-CN	Occupancy Sensor







For complete information on this Crestron room solution including CAD drawings, CSI specs, and more, go to [crestron.com/designcenter](http://crestron.com/designcenter)

## Enterprise Room Solutions

# Present 4 – 12 People

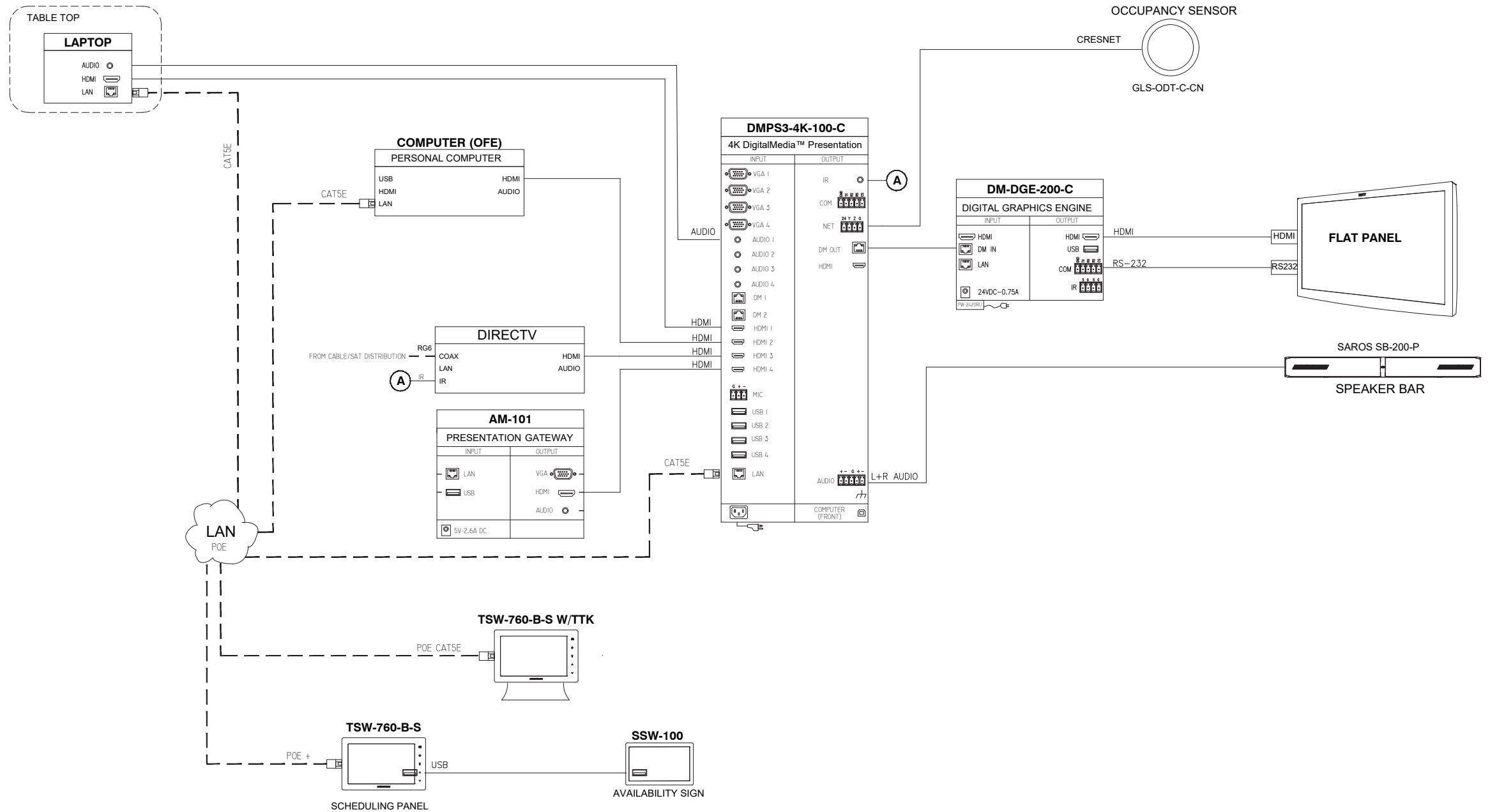
### Benefits

- Present wired or wirelessly
- Display calendar and custom graphics on room display
- Auto display on/off via CEC, serial, IR, or IP
- Sound bar with built-in amplification
- Occupancy sensor automates room and optimizes availability
- Crestron Fusion room monitoring

### Bill of Materials

Qty	Model Number	Description
1	DMPS3-4K-100-C	8X13-Series® 4K DigitalMedia Presentation System
1	DM-DGE-200-C	Digital Graphics Engine
1	AM-101	AirMedia Presentation Gateway
1	TSW-760	7" Touch Screen
1	TSW-760-TTK	Tabletop Kit for TSW-760
1	TSW-760	7" Room Scheduling Touch Screen
1	SSW	Room Availability Hallway Sign
1	FT-600	FlipTop™
1	GLS-ODT-C-CN	Occupancy Sensor
1	SAROS SB-200	Saros Sound Bar





For complete information on this Crestron room solution including CAD drawings, CSI specs, and more, go to [crestron.com/designcenter](http://crestron.com/designcenter)

## Enterprise Room Solutions

# Present 6 – 18 People

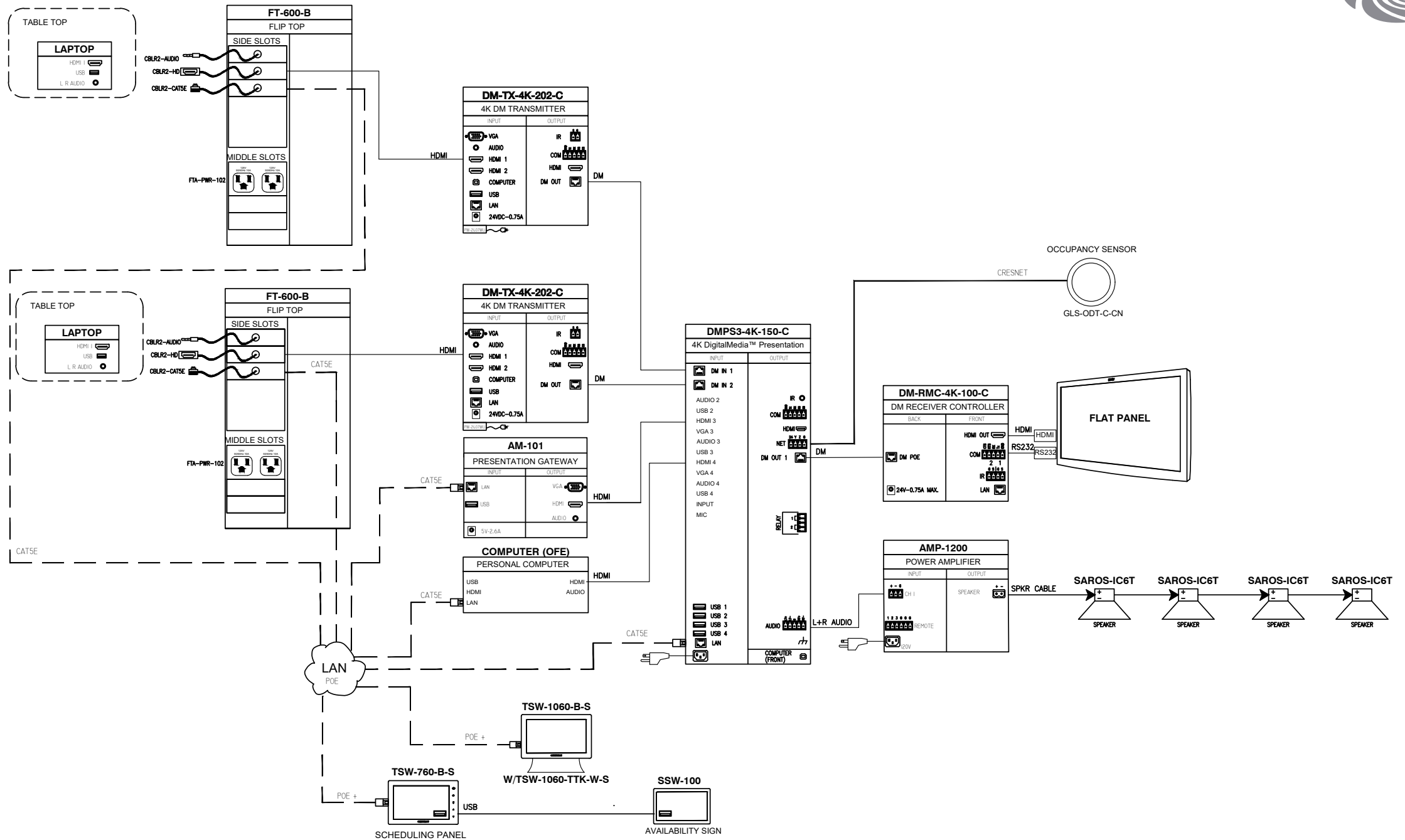
### Benefits

- Present wired or wirelessly
- Auto-switching at the table for multiple sources
- Auto display on/off via CEC, serial, IR, or IP
- In ceiling speakers support large space
- Occupancy sensor automates room and optimizes availability
- Crestron Fusion room monitoring

### Bill of Materials

Qty	Model Number	Description
1	DMPS3-4K-150-C	10X1 3-Series 4K DigitalMedia Presentation System
1	AM-101	AirMedia Presentation Gateway
2	DM-TX-4K-202-C	4K DigitalMedia Transmitter
1	DM-RMC-4K-100-C	4K DigitalMedia Receiver & Room Controller
2	FT-600	FlipTop™
2	FTA-PWR-102	FlipTop AC Power Outlet Module
1	TSW-1060	10" Touch Screen
1	TSW-1060-TTK	Tabletop Kit for TSW-1060
1	TSW-760	7" Room Scheduling Touch Screen
1	SSW	Room Availability Hallway Sign
1	AMP-1200	Modular Power Amplifier
4	SAROS IC6T	Saros 6.5" 2-Way In-Ceiling Speaker
1	GLS-ODT-C-CN	Occupancy Sensor





For complete information on this Crestron room solution including CAD drawings, CSI specs, and more, go to [crestron.com/designcenter](http://crestron.com/designcenter)

## Enterprise Room Solutions

# Conference 10 – 20 People

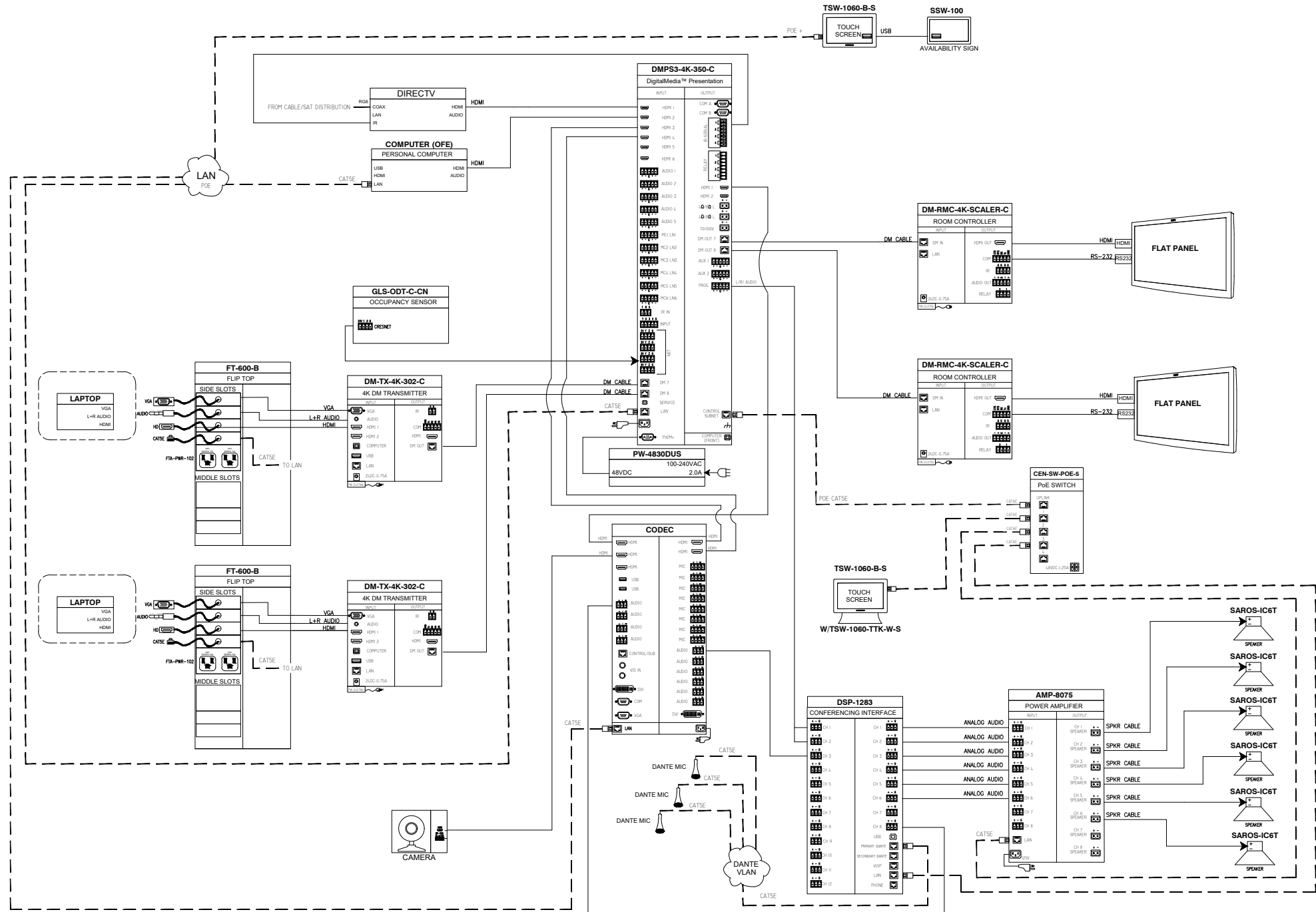
### Benefits

- Collaborate with dual displays
- Present wired and wirelessly
- 4K60 switching with built-in scaling
- Control Subnet for AV network separate from the LAN
- Mic mixing and full breakaway audio

### Bill of Materials

Qty	Model Number	Description
1	DMPS3-4K-350-C	9x4 3-Series 4K DigitalMedia Presentation System with AirMedia
2	DM-RMC-4K-SCALER-C	DigitalMedia Receiver and Room Controller w/Scaler
2	DM-TX-4K-302-C	4K DigitalMedia Transmitter
2	FT-600	FlipTop
2	FTA-PWR-102	FlipTop AC Power Outlet Module
1	PW-4830DUS	PoDM Power Pack
1	DSP-1283	Crestron Avia™ 12X8 Digital Signal Processor
1	AMP-8075	Crestron Avia 8-Channel Power Amplifier
6	SAROS IC6T	Saros 6.5" 2-Way In-Ceiling Speaker
1	TSW-1060	10" Scheduling Touch Screen
1	SSW-100	Room Availability Hallway Sign
1	TSW-1060	10" Touch Screen
1	TSW-1060-TTK	Tabletop Kit for TSW-1060





For complete information on this Crestron room solution including CAD drawings, CSI specs, and more, go to [crestron.com/designcenter](http://crestron.com/designcenter)

## Enterprise Room Solutions

# Executive Boardroom

### Benefits

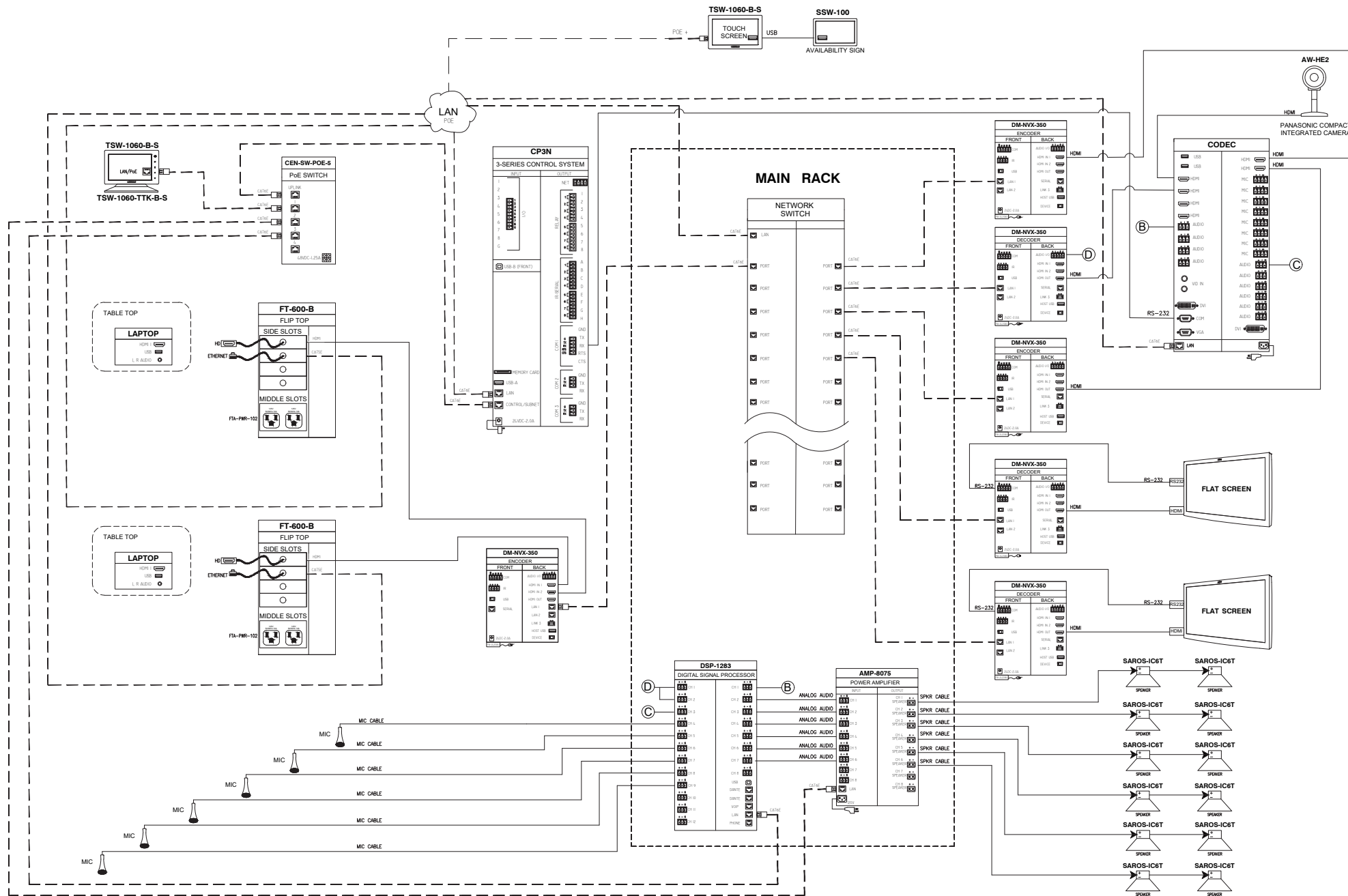
- 4K60, 4:4:4, and HDR over standard 1Gb Ethernet
- Collaborate and conference with dual displays
- Network security at the product level
- Auto-switching at the table
- DSP mic mixing and room acoustics optimization
- Multi-channel amp and 12 ceiling speakers support large space

### Bill of Materials

Qty	Model Number	Description
6	DM-NVX-350	DigitalMedia 4K60 4:4:4 HDR Network AV Encoder/Decoder
1	CP3N	3-Series Control System
1	TSW-1060	10" Touch Screen
1	TSW-1060-TTK	Tabletop Kit for TSW-1060
1	DSP-1283	Crestron Avia 12X8 Digital Signal Processor
1	AMP-8075	Crestron Avia 8-Channel Power Amplifier
12	SAROS IC6T	Saros 6.5" 2-Way In-Ceiling Speaker
1	TSW-1060	Room Scheduling Touch Screen
1	SSW-100	Room Availability Hallway Sign
2	FT-600	FlipTop
2	FTA-PWR-102	FlipTop AC Power Outlet Module







For complete information on this Crestron room solution including CAD drawings, CSI specs, and more, go to [crestron.com/designcenter](http://crestron.com/designcenter)

## Enterprise Room Solutions

# Lobby / Reception Area

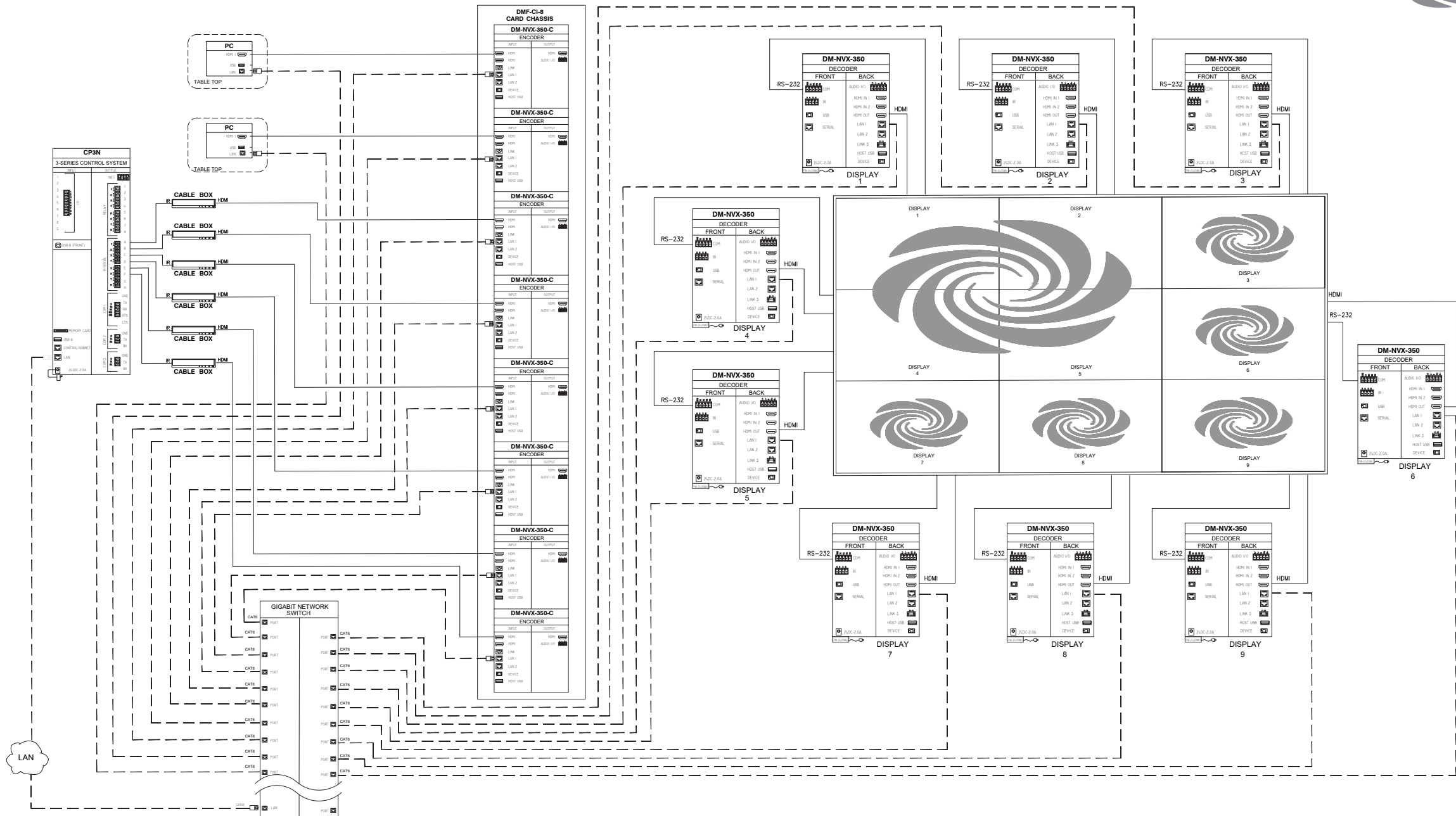
### Benefits

- Create a high-impact digital canvas to reinforce brand identity and welcome visitors
- Deliver engaging multimedia presentations
- 4K video scaling and video processing

### Bill of Materials

Qty	Model Number	Description
9	DM-NVX-350	DigitalMedia 4K60 4:4:4 HDR Network AV Encoder/Decoder Box
8	DM-NVX-350C	DigitalMedia 4K60 4:4:4 HDR Network AV Encoder/Decoder Card
1	DMF-CI-8	DigitalMedia Card Chassis
1	CP3N	3-Series Control System®





For complete information on this Crestron room solution including CAD drawings, CSI specs, and more, go to [crestron.com/designcenter](http://crestron.com/designcenter)

# Enterprise Room Solutions

## Digital Signage

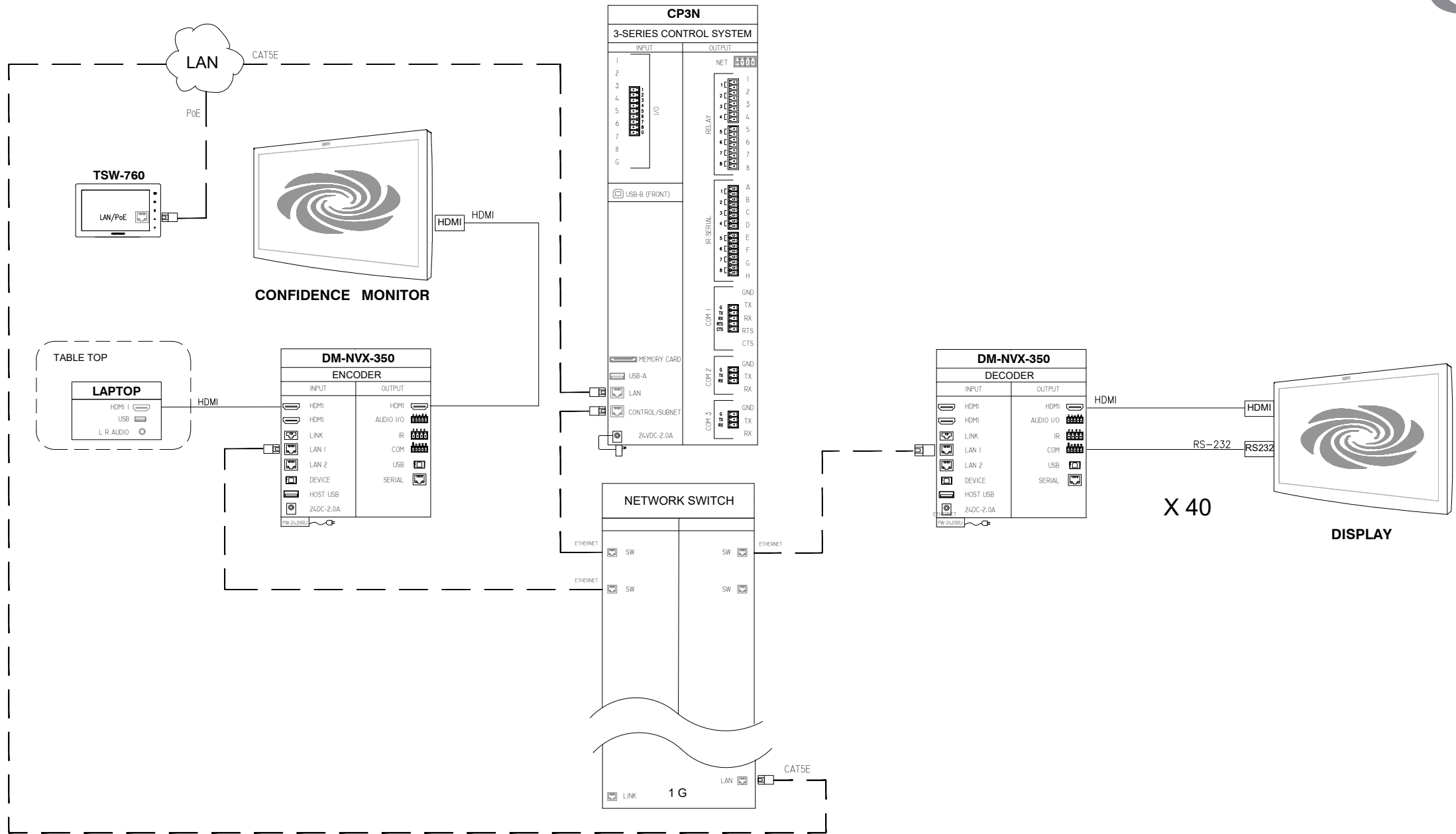
### Benefits

- Best video quality: 4K60 4:4:4, HDR
- Use standard 1Gb Ethernet
- Easy signal routing via DM XiO Director
- Network Access Control
- Infinite scalability
- Broadcast messaging

### Bill of Materials

Qty	Model Number	Description
6	DM-NVX-350	DigitalMedia 4K60 4:4:4 HDR Network AV Encoder/Decoder Box
1	TSW-760	7" Touch Screen Controller
1	CP3N	3-Series Control System®





## Enterprise Room Solutions

# Zoom Rooms

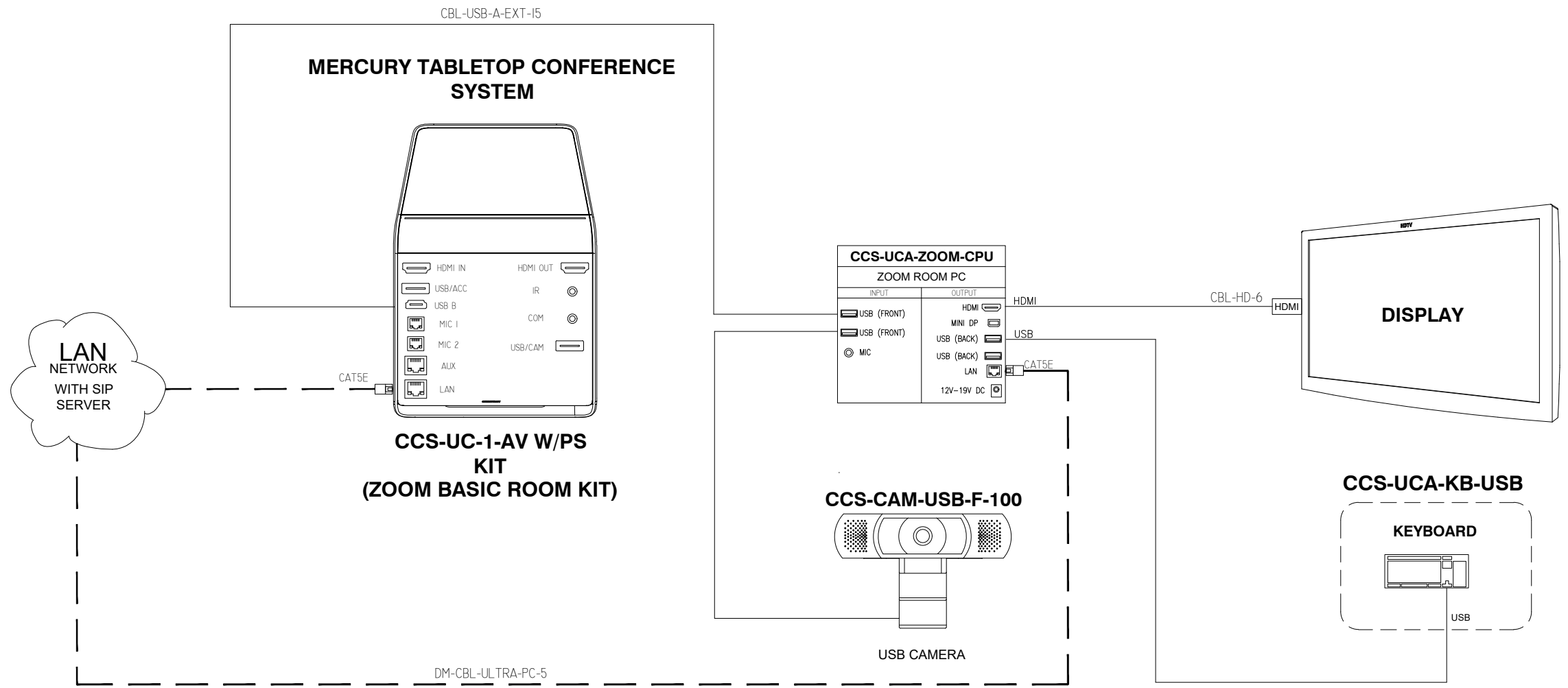
### Benefits

- Best-in-class AV presentation, room scheduling, video conferencing, and control
- Crestron Mercury™ runs Zoom Rooms natively

### Bill of Materials

Qty	Model Number	Description
1	CCS-UC-1	Crestron Mercury Tabletop Conference System
1	CCS-UCA-ZOOM-CPU	Pre-loaded NUC PC
1	CCS-UCA-KB-USB	Keyboard
1	CCS-CAM-USB-F-100	HD Camera





Enterprise Room Solutions

# World Map



Crestron has offices in every major market and country around the globe. Each is fully staffed to provide sales, technical support, and training, ensuring an identical customer experience wherever you are in the world.





# Design Notes

A large, empty grid of light grey lines on a white background, occupying the central portion of the page. The grid is composed of approximately 30 columns and 25 rows of small squares, providing a space for drawing or writing design notes.

Contact us for more information | [crestron.com](http://crestron.com) | 855.263.8754

**World Headquarters**

15 Volvo Drive  
Rockleigh, NJ 07647  
800.237.2041  
201.767.3400  
[crestron.com](http://crestron.com)

**Latin America**

Blvd. Manuel Avila Camacho 37-1A  
Col. Lomas de Chapultepec  
CP 11560  
México  
+52.55.5093.2160  
[crestron.com.mx](http://crestron.com.mx)

**EMEA**

Oude Keerberbergsebaan 2  
B-2820  
Rijmenam  
Belgium  
+32.15.50.99.50  
[crestron.eu](http://crestron.eu)

**Australia**

Level 5  
15 Help Street  
Chatswood NSW 2067  
Australia  
+61.1800.555.040  
[ANZHQ@crestron.com](mailto:ANZHQ@crestron.com)  
[crestron.com](http://crestron.com)

**New Zealand**

West Plaza Business Centre  
Level 8, 3 Albert Street  
Auckland 1060  
New Zealand  
+64.800.273.787  
[ANZHQ@crestron.com](mailto:ANZHQ@crestron.com)  
[crestron.com](http://crestron.com)

**Israel**

14 Hata'as Street  
Kfar Saba, 4442514  
Israel  
+972.9.7685556  
[crestron.co.il](http://crestron.co.il)

**India**

Unit 101 & 102 RMZ Ecoworld  
Campus 6B Sarjapur Marathalli Outer Ring Road  
Bangalore 560103  
800.3005.8822  
[INDIAsalessupport@crestron.com](mailto:INDIAsalessupport@crestron.com)  
[crestron.com](http://crestron.com)

**NE Asia**

Unit 3101-02, 31st Floor  
Taikoo Place, Oxford House  
979 King's Rd, Quarry Bay, Hong Kong  
Toll Free Phone: 800.969.996  
[NEAalessupport@crestron.com](mailto:NEAalessupport@crestron.com)  
[crestron.com](http://crestron.com)

**China**

Block 25, Baoshi Park, 487 Tianlin Road  
Xuhui District  
P.R.C. Shanghai 200233  
Toll Free Phone: 400.880.9700

**SE Asia**

31 Kaki Bukit Road 3  
#01-04 & #01-05  
Techlink  
Singapore 417818  
+65.6394.9380  
[crestron.com](http://crestron.com)

**Japan**

1736-3 Higashitsuda-Cho  
Matsue City 690-0011  
Japan  
+81.852.60.5185  
[crestronjapan.com](http://crestronjapan.com)

