

The Crestron® CCS-UC-1-X provides video conference capabilities to a conference room.



In the Box

- 1 CCS-UC-1-X, Crestron Mercury® X Tabletop UC System

Additional Items

- 1 Cable, USB 2.0, A - Micro B, 6 ft (1.83 m) (P/N 2047803)
- 1 Cable, HDMI®, Thin, 6 ft (1.8 m) (P/N 6508218)
- 1 Cable, CAT5e, RJ-45 Male - RJ-45 Male, 12 ft (3.66 m) (P/N 2033988)
- 1 Retention Plate, Cable (P/N 2047908)
- 3 Tie Wrap (P/N 2047935)
- 1 Power Pack, 24 VDC, 2.5 A, 100-240 VAC (P/N 2045873)
- 1 Power cord (varies by location)



Install the Cable Retention Plate

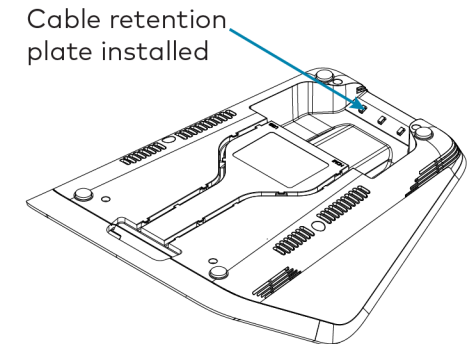
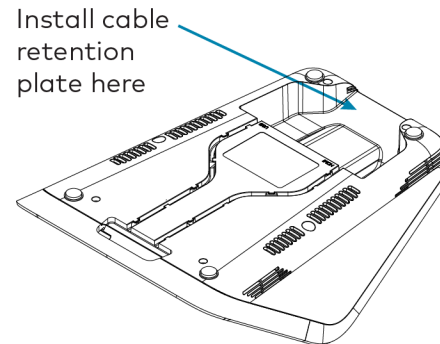
The cable retention plate provides tie-down points for cables that are connected to the device.

Remove the adhesive backing from the cable retention plate and install it on the underside of the CCS-UC-1-X as shown in the following diagram.

CAUTION: When turning over the device, place the device on a soft surface to avoid damage.

NOTES:

- If the CCS-UCA-SMK swivel mount kit is to be used, use the cable retention bracket included with the CCS-UCA-SMK. For details, refer to the CCS-UCA-SMK DO Guide (Doc. 7882) at www.crestron.com/manuals.
- Before securing cables, ensure the cable retention plate is firmly attached.

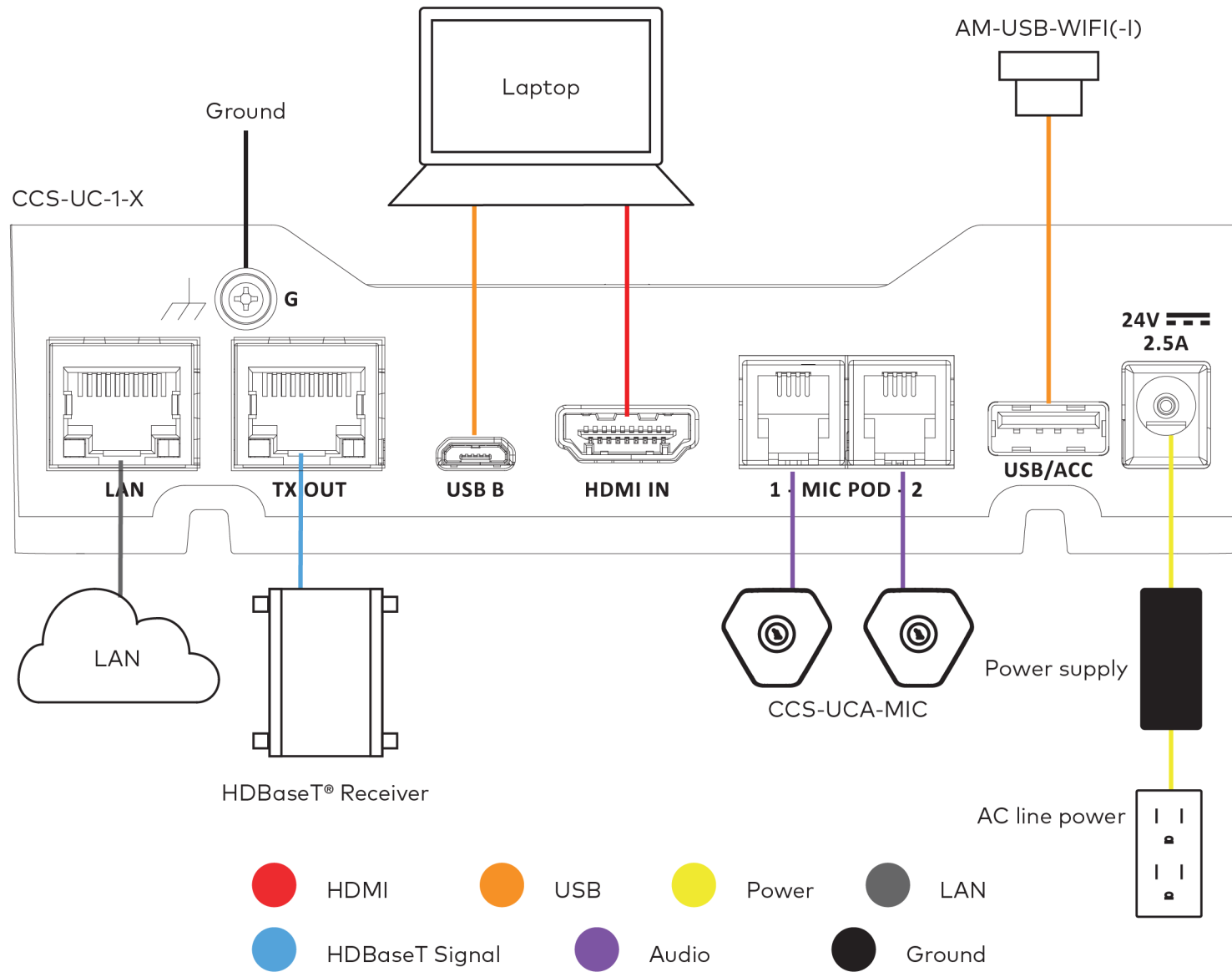




Make connections to the CCS-UC-1-X.

Make Connections

When making connections, it is highly recommended to use the cables shipped with the device. The cables and accessories have been designed so that a service loop can be implemented prior to the cables leaving the chassis body of the device (if necessary). If an extension option is required, Crestron solutions should always be used and can be found under **MODELS & ACCESSORIES** on the Crestron Mercury X [web page](#).



Route Cables

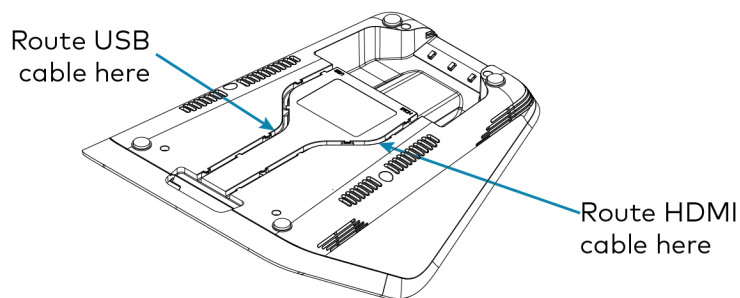
CCS-UCA-SMK Swivel Mount Kit

If the CCS-UCA-SMK swivel mount kit is used in the installation, refer to the CCS-UCA-SMK DO Guide for installation instructions (Doc. 7882).

NOTE: Do not route the HDMI and USB cables through the swivel tube.

USB and HDMI Cables

Insert the included USB and HDMI cables into the appropriate cable channels on the underside of the CCS-UC-1-X.



NOTE: If the system design dictates that the USB and HDMI Input cables should not exit through the front but at the rear with all other cables, the USB and HDMI input cables should be bundled and secured to the cable retention plate on the underside of the CCS-UC-1-X. Make sure to leave enough cable for a 2- to 3- inch service loop before exiting the rear of the device.

Power, Ethernet, HDBaseT, and Other Cables

Bundle the Ethernet, HDBaseT, and other cables together and use a provided tie wrap to secure the bundle to one of the positions on the cable retention plate.



Configure Settings

For details on configuring the device, refer to the CCS-UC-1 Product Manual (Doc. 7844).

Additional Information

Original Instructions

The U.S. English version of this document is the original instructions. All other languages are a translation of the original instructions.

Crestron product development software is licensed to Crestron dealers and Crestron Service Providers (CSPs) under a limited nonexclusive, nontransferable Software Development Tools License Agreement. Crestron product operating system software is licensed to Crestron dealers, CSPs, and end-users under a separate End-User License Agreement. Both of these Agreements can be found on the Crestron website at www.crestron.com/legal/software_license_agreement.

The product warranty can be found at www.crestron.com/warranty.

The specific patents that cover Crestron products are listed at www.crestron.com/legal/patents.

Certain Crestron products contain open source software. For specific information, visit www.crestron.com/opensource.

Crestron, the Crestron logo, and Crestron Mercury are either trademarks or registered trademarks of Crestron Electronics, Inc. in the United States and/or other countries. HDBaseT is either a trademark or registered trademark of the HDBaseT Alliance in the United States and/or other countries. HDMI and the HDMI logo are either trademarks or registered trademarks of HDMI Licensing LLC in the United States and/or other countries. Other trademarks, registered trademarks, and trade names may be used in this document to refer to either the entities claiming the marks and names or their products. Crestron disclaims any proprietary interest in the marks and names of others. Crestron is not responsible for errors in typography or photography.

HDMI

©2019 Crestron Electronics, Inc.

Doc ID 8453A
(2053534)

11/14/19