

# AIR\_SR4/AIR\_SR6/AIR\_SR8

## AIR® 2-Way Surface Mount Outdoor Speakers

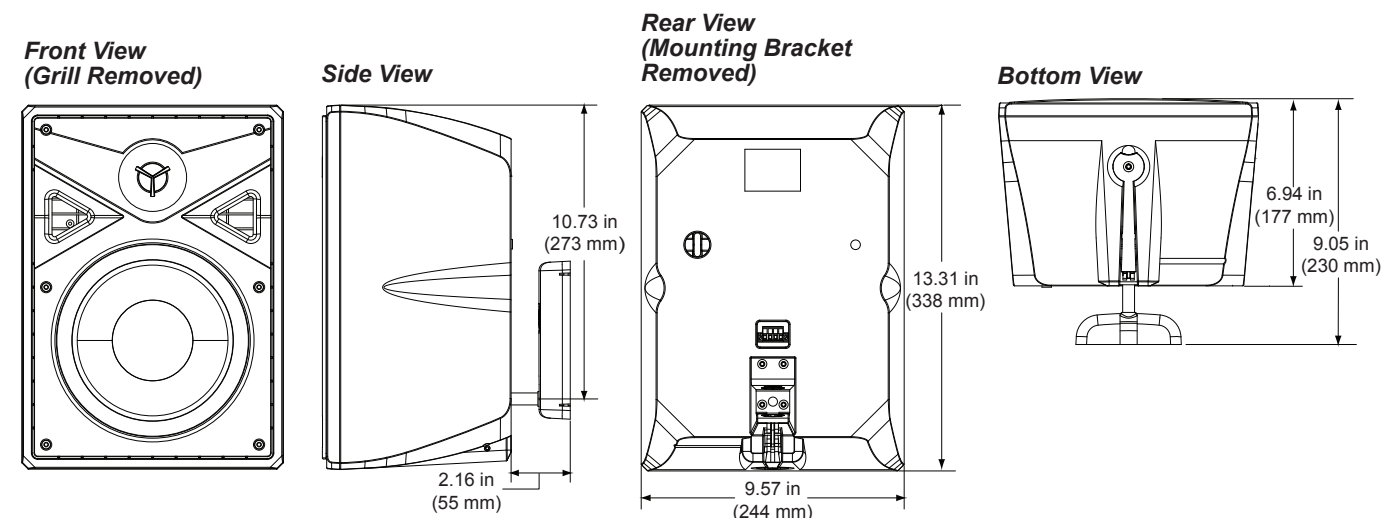
AIR® speakers by Crestron® offer superior sound quality and flexible installation in a range of popular sizes for all types of indoor and outdoor applications. Solid construction and high-end components are hallmarks of the complete AIR speaker line. Each AIR model provides a pair of weatherized 2-way surface mount outdoor loudspeakers with polypropylene woofers for deep, solid, bass, optimized dual front ports for enhanced low frequency response, and titanium dome tweeters for crisp, clear high-end extension.

Featuring a unique “QuickBall” mounting system, the AIR speakers can be mounted to any solid, flat surface, with the ability to orient and aim the speaker in virtually any position. The QuickBall bracket achieves a very clean and stable installation using a tool-free ball-and-socket mechanism. Simply position the speaker as desired and flip the clamp lever closed. A security screw is included to deter theft by preventing the lever from being released.

AIR speakers, supplied in pairs, are available in black or white and can be painted to blend with the surrounding architecture.



### 2 Physical Views (AIR\_SR8 Shown)



**NOTE:** Before starting installation, ensure the wall and wall material are capable of supporting the combined weight of the speakers and the wall mount assemblies. Refer to section 3 for speaker weights.

### 1 Installation

Refer to the illustration to the right as necessary, and install the speakers as follows:

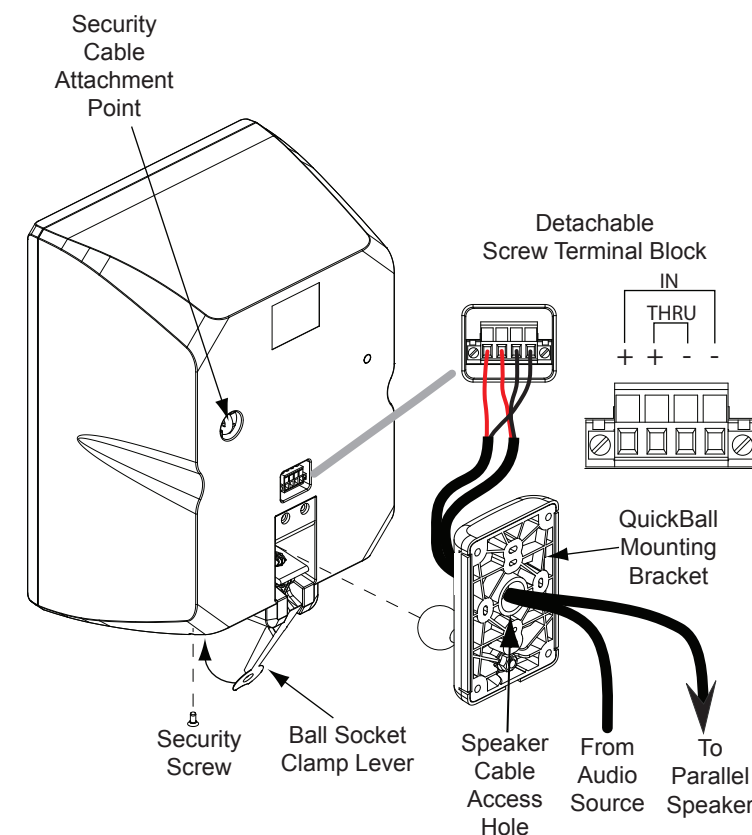
1. Route the cables from the audio source to the intended speaker locations while following all appropriate local codes.
2. Attach the QuickBall mounting bracket directly to the wall or to a flush mounted 1-gang US, UK, or European electrical box, allowing the cable coming through the wall (and the electrical box, if used) to exit through the speaker cable access hole of the mounting bracket.

**NOTE:** If the mounting bracket is to be attached to an electrical box, be sure it is also attached to surrounding framing to provide the support needed to hold the weight of the speaker.

- The QuickBall mounting bracket can also be mounted to a light pole or post using pole mounting straps (not included).
3. Detach the 4-pin screw terminal block connector from the speaker. Connect the audio source's + and - outputs to the connector's outer + and - (IN) terminals. Maximum wire size is 12 AWG. Use the inner + and - (THRU) terminals to connect a second speaker in parallel.

**NOTE:** The number of speakers that can be added is limited only by the specifications of the amplifier.

- a. Route the audio source's (and a second speaker's) wiring through the supplied weather boot (if used). Strip the wires 1/4 in (~6 mm), twist the strands, insert them into the terminal block, and tighten the screws to secure them.
  - b. Reattach the terminal block to the speaker connector.
  - c. The weather boot press-fits securely into the connector housing recess.
4. Carefully mount the speaker onto the QuickBall mounting bracket, ensuring that the ball is fully inserted into the cavity. Rotate and set the speaker at the desired angle, and raise the ball socket clamp lever into position against the bottom of the speaker to secure the speaker in position. Use the supplied security screw to prevent the lever from being accidentally pulled, which releases the speaker.
  5. Attach a security cable (SPKA-ST-15, sold separately) to the security cable attachment point. The other end of the cable must be attached to a secondary support point able to support several times the weight of the speaker.



# AIR\_SR4/AIR\_SR6/AIR\_SR8

## AIR® 2-Way Surface Mount Outdoor Speakers

### 3 Specifications

*AIR\_SR4, AIR\_SR6, and AIR\_SR8 Specifications*

SPECIFICATION	AIR_SR4	AIR_SR6	AIR_SR8
Drivers			
Woofer	4 inch (102 mm) polypropylene with rubber surround and steel basket	6.5 inch (165 mm) polypropylene with rubber surround and steel basket	8 inch (203 mm) polypropylene with rubber surround and steel basket
Tweeter	0.79 inch (20 mm) titanium dome	0.98 inch (25 mm) titanium dome	0.98 inch (25 mm) titanium dome
Crossover Frequency	2.5 kHz	2 kHz	2 kHz
Impedance	8 ohms nominal	8 ohms nominal	8 ohms nominal
Frequency Range	65 Hz to 20 kHz (-10 dB)	55 Hz to 20 kHz (-10 dB)	50 Hz to 20 kHz (-10 dB)
Frequency Response	70 Hz to 20 kHz (±3 dB)	60 Hz to 20 kHz (±3 dB)	55 Hz to 20 kHz (±3 dB)
Power Handling	100 watts program	150 watts program	200 watts program
Sensitivity	87 dB @ 1 W/1 m	88.5 dB @ 1 W/1 m	89.5 dB @ 1 W/1 m
Environmental			
Temperature	-2° to 120° F (-19° to 49° C)	-2° to 120° F (-19° to 49° C)	-2° to 120° F (-19° to 49° C)
Humidity	5% to 95% RH (non-condensing)	5% to 95% RH (non-condensing)	5% to 95% RH (non-condensing)
Construction			
Enclosure	ABS plastic, textured finish, paintable	ABS plastic, textured finish, paintable	ABS plastic, textured finish, paintable
Grille	Aluminum, powder coated, paintable	Aluminum, powder coated, paintable	Aluminum, powder coated, paintable
Mounting	Surface mount to a solid flat surface with option to position over a flush-mounted 1-gang electrical box, 1-gang UK (BS 4662) electrical box, or 1-gang European (DIN 49073) electrical box; Pole mount (straps not included); Rigging point for safety tether (SPKA-ST-15 sold separately); Theft-resistant security screw	Surface mount to a solid flat surface with option to position over a flush-mounted 1-gang electrical box, 1-gang UK (BS 4662) electrical box, or 1-gang European (DIN 49073) electrical box; Pole mount (straps not included); Rigging point for safety tether (SPKA-ST-15 sold separately); Theft-resistant security screw	Surface mount to a solid flat surface with option to position over a flush-mounted 1-gang electrical box, 1-gang UK (BS 4662) electrical box, or 1-gang European (DIN 49073) electrical box; Pole mount (straps not included); Rigging point for safety tether (SPKA-ST-15 sold separately); Theft-resistant security screw
Positioning			
Yaw (Horizontal)	± 30°	± 30°	± 30°
Pitch (Vertical)	± 30°	± 30°	± 30°
Roll	360°	360°	360°
Dimensions			
Height	8.67 in (220 mm)	11.19 in (284 mm)	13.31 in (338 mm)
Width	5.91 in (151 mm)	8.08 in (205 mm)	9.57 in (243 mm)
Depth	6.55 in (167 mm), 8.66 in (220 mm) with mounting bracket	6.75 in (172 mm), 8.86 in (225 mm) with mounting bracket	6.94 in (177 mm), 9.05 in (230 mm) with mounting bracket
Weight	4.5 lb (~2 kg)	6.6 lb (3 kg)	8.7 lb (4 kg)

### 4 Problem Solving Troubleshooting

The following table provides corrective action for possible trouble situations. If further assistance is required, please contact a Crestron customer service representative.

TROUBLE	POSSIBLE CAUSE(S)	CORRECTIVE ACTION
There is either no sound or the sound from the speakers is intermittent.	There is a cable connection error.	Verify the cable connections between the amplifier and speakers.
	The amplifier is not receiving an input signal or there is an amplifier malfunction.	Verify that the amplifier is functioning correctly, that it is receiving an input signal, and that the correct input source is selected.
Constant noise such as buzzing, humming, or hissing comes from the speakers.	There is a faulty device in the system.	Verify that all devices in the system are functioning properly.
	There is a system grounding fault.	Verify the system grounding connection.
The low frequency output is poor.	The connection polarity at the speaker is incorrect.	Verify speaker connection polarity (i.e., + on speaker to + on amplifier).

#### Further Inquiries

To locate specific information or resolve questions after reviewing this guide, contact Crestron's True Blue Support at 1-888-CRESTRON [1-888-273-7876] or, for assistance within a particular geographic region, refer to the listing of Crestron worldwide offices at [www.crestron.com/offices](http://www.crestron.com/offices).

To post a question about Crestron products, log onto Crestron's Online Help at [www.crestron.com/onlinehelp](http://www.crestron.com/onlinehelp). First-time users must establish a user account to fully benefit from all available features.

#### Future Updates

As Crestron improves functions, adds new features, and extends the capabilities of the AIR\_SR4, AIR\_SR6, and AIR\_SR8 speakers, additional information may be made available as manual updates. These updates are solely electronic and serve as intermediary supplements prior to the release of a complete technical documentation revision.

Check the Crestron website periodically for manual update availability and its relevance. Updates are identified as an "Addendum" in the Download column.

The specific patents that cover Crestron products are listed at [patents.crestron.com](http://patents.crestron.com).

Crestron, the Crestron logo, and AIR are either trademarks or registered trademarks of Crestron Electronics, Inc. in the United States and/or other countries. Other trademarks, registered trademarks, and trade names may be used in this document to refer to either the entities claiming the marks and names or their products. Crestron disclaims any proprietary interest in the marks and names of others. *Crestron is not responsible for errors in typography or photography.*

This document was written by the Technical Publications department at Crestron.  
©2014 Crestron Electronics, Inc.