

Crestron Flex UC Video Conference System Integrator Solution for Zoom Rooms™ Software

The Crestron Flex UC Video Conference System Integrator Solution for Zoom Rooms™ software ([UC-C160-Z](#)) delivers a powerful, professional solution for knowledge workers who want the Zoom Rooms software experience in small to midsize meeting and conference rooms. The UC-C160-Z allows the installer to select audio and camera hardware dictated by the room.

Minimum Requirements

- A video display, connected to the UC-ENGINE-Z. The system supports a second display if desired.
- A Zoom Rooms account or activation code
- USB Camera
- AEC-enabled USB speakerphone or DSP device

View the [Crestron Flex Pre-Deployment Checklist](#) to help plan your Crestron Flex installation.



In the Box

UC Engine Bracket Assembly

- 1 UC-BRKT-100-Z-ASSY (6511049)
- 1 Power cord
- 1 Mounting Hardware

Tabletop Touch Screen Device

- 1 TS-1070-B-S (6510821)

Accessories

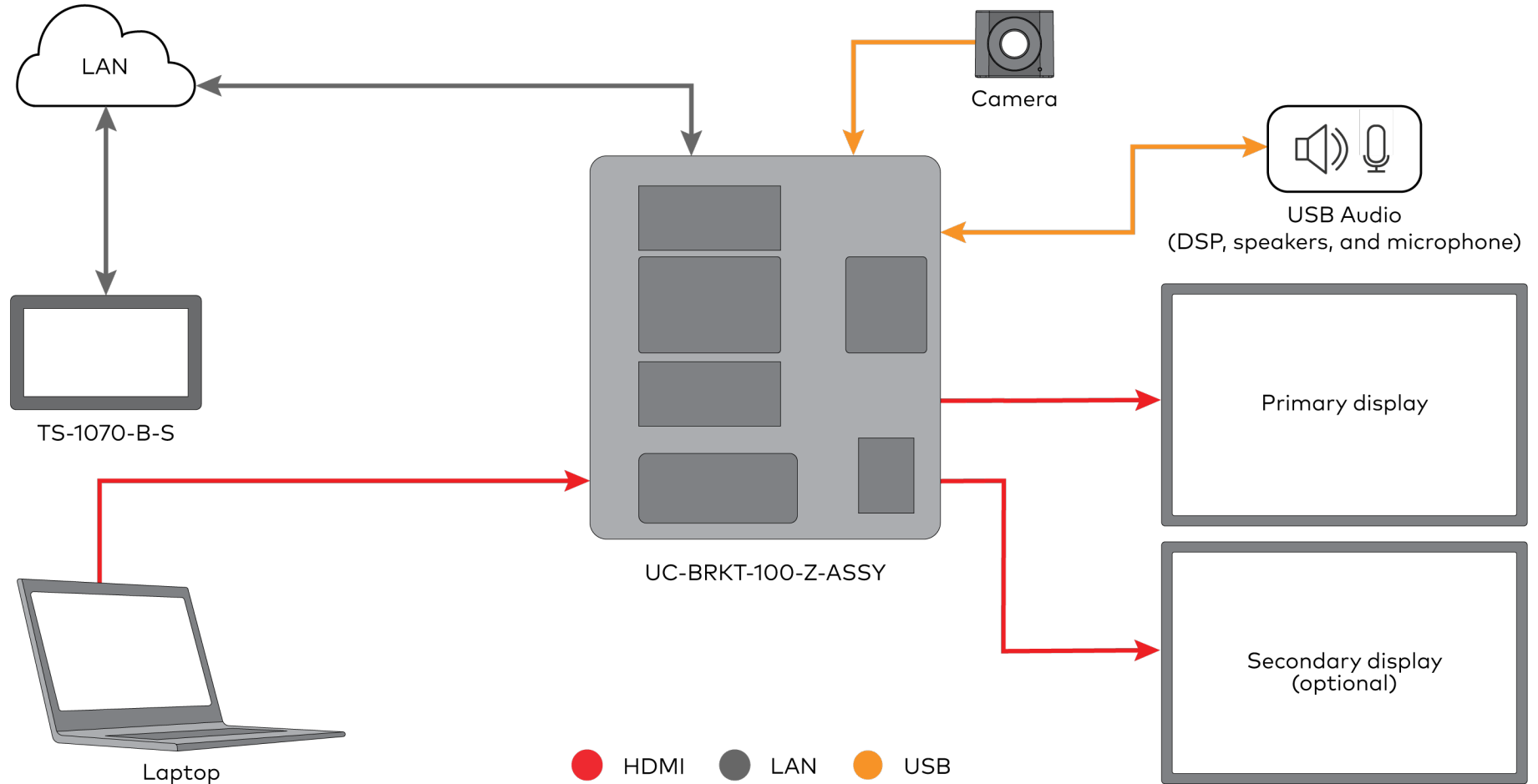
- 1 PWE-4803RU, PoE Injector (6502429)
- 2 CBL-CAT5E-7, CAT5e cable, RJ-45-to-RJ-45, Black, 7 ft (2.1 m) (6509924)
- 1 CBL-HD-THIN-HS-6, Thin HDMI® cable, 6 ft (1.8 m) (6510946)
- 1 CBL-HD-20, HDMI cable, 20 ft (6.1 m) (6503567)
- 1 CBL-USBC-HD-9, USB 3.0 to HDMI Converter cable, 9 ft (2.7 m) (6510718)
- 1 DM-CBL-ULTRA-PC-20, DigitalMedia™ Ultra Patch cable, 20 ft (6.1 m) (6507640)

Crestron Flex UC Video Conference System Integrator Solution for Zoom Rooms™ Software



Overview

The following diagram illustrates standard system connections. The room display(s), camera, audio devices, and laptop are not included with this solution.

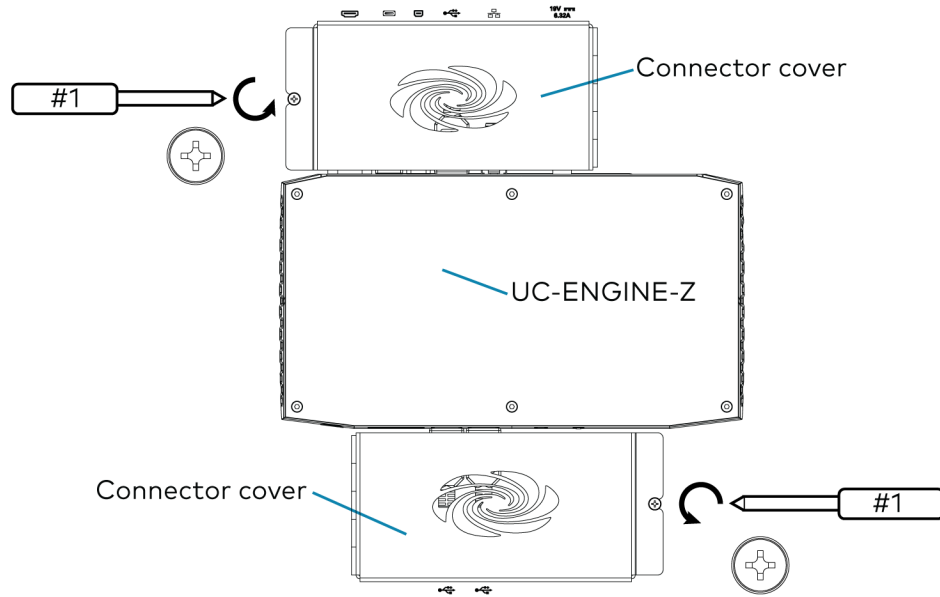


Crestron Flex UC Video Conference System Integrator Solution for Zoom Rooms™ Software



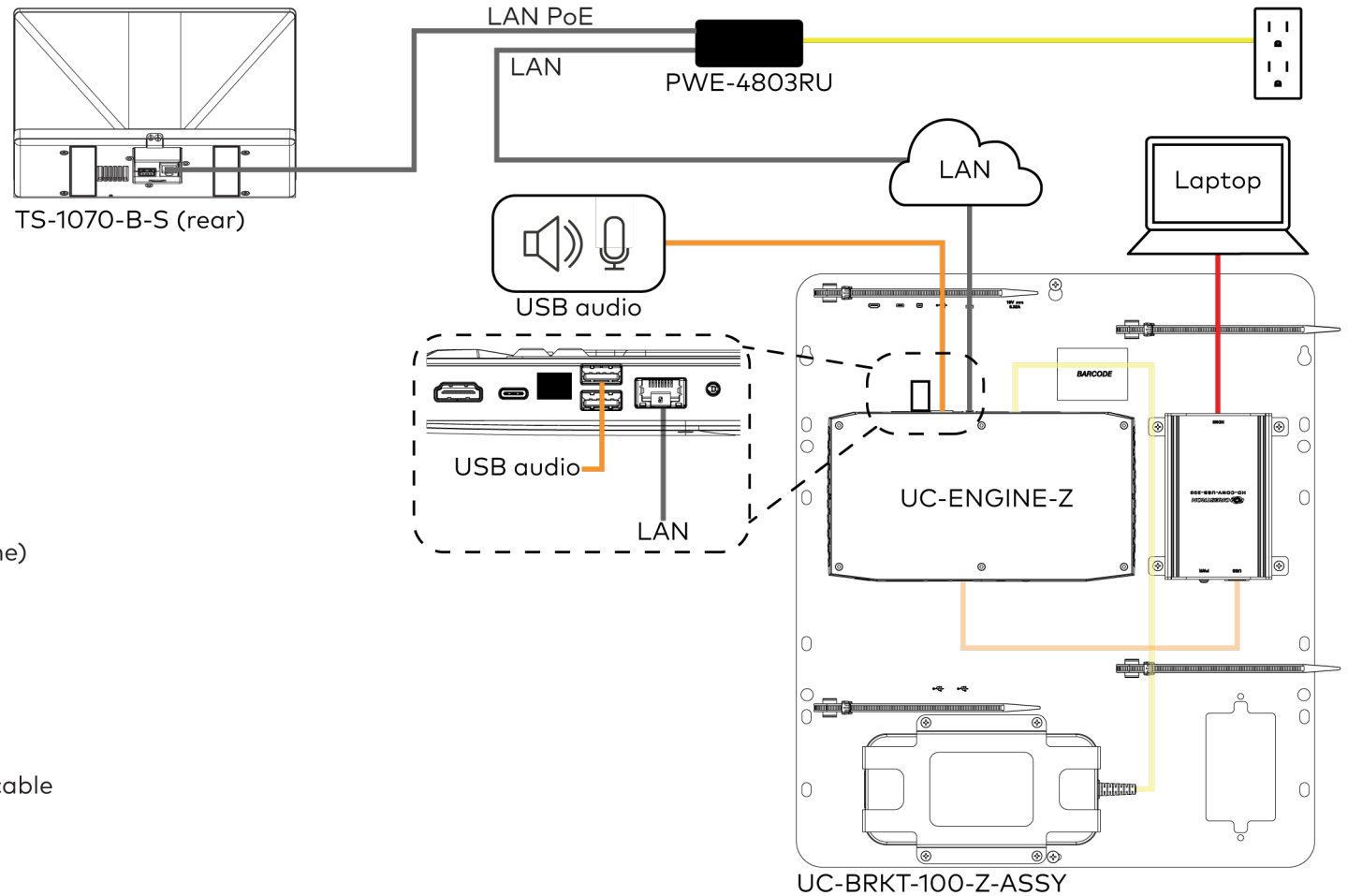
Connect

1. Remove the connector covers prior to making UC-ENGINE-Z connections on the UC-BRKT-100-Z-ASSY bracket assembly.



1. Make connections to the TS-1070-B-S touch screen and UC-BRKT-100-Z-ASSY bracket assembly as shown in the following illustration.

Crestron Flex UC Video Conference System Integrator Solution for Zoom Rooms™ Software

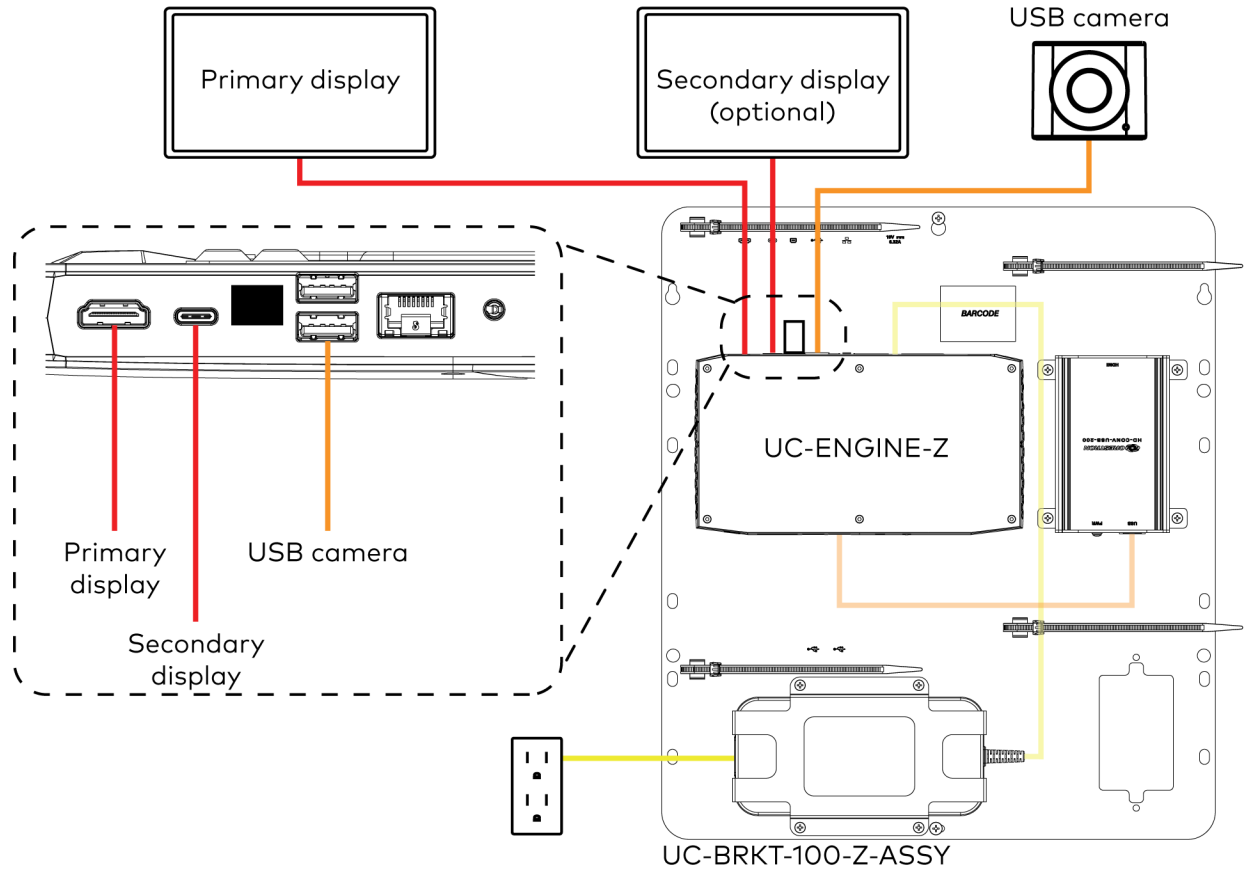


- **HDMI**
20 ft CBL-HD-20 HDMI cable
- **USB**
Audio
(DSP, speakers, and microphone)
- **Power**
- **Ethernet**
5 ft CAT5e cable
(supplied with PWE-4803RU)
7 ft CBL-CAT5E-7 cable (x 2)
20 ft DM-CBL-ULTRA-PC-20 cable

Crestron Flex UC Video Conference System Integrator Solution for Zoom Rooms™ Software

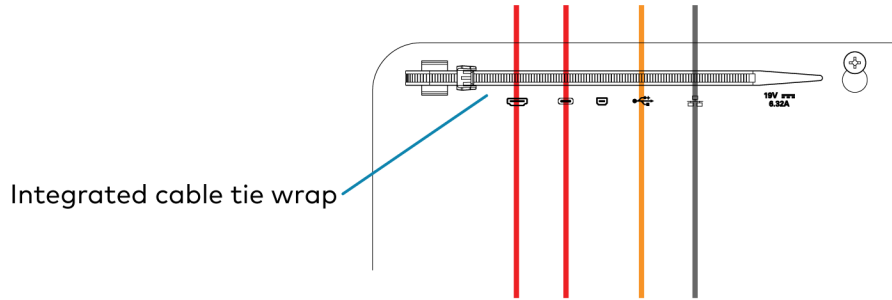
3. Connect the display devices and camera to the UC-ENGINE-Z as shown below.

- HDMI**
Primary: CBL-HD-THIN-HS-6 cable
Secondary: CBL-USBC-HD-9 cable
- USB**
USB camera
- Power**
Power cord
(supplied with UC-BRKT-100-Z-ASSY)



Crestron Flex UC Video Conference System Integrator Solution for Zoom Rooms™ Software

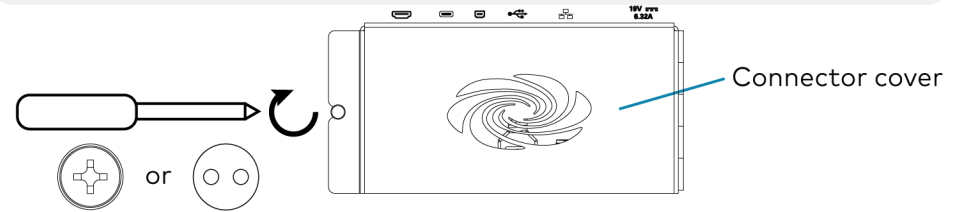
- Bundle the cables with the integrated cable tie wraps. The cable tie wraps are reusable.



Complete the Installation

After completing UC-ENGINE-Z connections, secure the connector covers using a #1 Phillips head screwdriver to replace the screws.

NOTE: For additional security, replace the screws with the spanner screws included with the bracket assembly. A 1/4 in. bit is also supplied with the bracket assembly to install the spanner screws.



Crestron Flex UC Video Conference System Integrator Solution for Zoom Rooms™ Software



Configure

Apply Power

Press the power button on the bottom of the UC-ENGINE-Z and apply power to all of the other devices in the system. The connected display device will show a pairing code.

Log In to the Zoom Rooms Service

Use the TS-1070-B-S touch screen to sign in to the Zoom Rooms service using an activation code or a Zoom Room Sign-In.

1. Tap **Touch Here to Enable a Specific Application** on the bottom of the screen. A list of applications is displayed.
2. Tap **Zoom Rooms** and then tap **Confirm**. The TS-1070-B-S touch screen will reboot.

NOTE: Additional settings are available for switching between the Zoom Rooms application and a custom user project. For details, refer to the [TS-770 and TS-1070 Product Manual](#) (Doc. 8555).

3. Enter the pairing code shown on the display to pair the TS-1070-B-S touch screen with the UC-ENGINE-Z. The Zoom Rooms controller app is displayed.

4. Log in to the Zoom Rooms service with an activation code or Zoom Rooms Credentials (email and password).
 - **Activation Code:**
 - a. Tap **Enter Activation Code**.
 - b. Enter the 16-digit activation code provided by the administrator to activate the Zoom Room that is assigned to the activation code. The Zoom Rooms Conference Room screen is shown on the display.
 - **Sign In:**
 - a. Tap **Sign In**.
 - b. Enter the Zoom Room credentials and tap **Sign In**.
 - c. Select the conference room name from the list and tap **Next**. The Zoom Rooms Conference Room screen is shown on the display.
5. Tap **Settings**. If a password is required, enter the password (default is **0000**). The **Settings** screen is displayed.
6. Tap **Microphone** and select the USB audio device as the source.
7. Tap **Speaker** and select the USB audio device as the source.
8. Tap **Meet Now** to exit.

Configure the System

Connect a USB keyboard and mouse (sold separately) to a USB port on the UC-ENGINE-Z to configure system features. Refer to the [Crestron Flex UC Video Conference Systems Supplemental Guide](#) (Doc. 8360).

Crestron Flex UC Video Conference System Integrator Solution for Zoom Rooms™ Software



Visit the Product Page

Scan the QR code to visit the product page.

UC-C160-Z



www.crestron.com/model/6511053

Additional Information

Original Instructions

The U.S. English version of this document is the original instructions.
All other languages are a translation of the original instructions.

Crestron product development software is licensed to Crestron dealers and Crestron Service Providers (CSPs) under a limited nonexclusive, nontransferable Software Development Tools License Agreement. Crestron product operating system software is licensed to Crestron dealers, CSPs, and end-users under a separate End-User License Agreement. Both of these Agreements can be found on the Crestron website at www.crestron.com/legal/software_license_agreement.

The product warranty can be found at www.crestron.com/warranty.

The specific patents that cover Crestron products are listed at www.crestron.com/legal/patents.

Certain Crestron products contain open source software. For specific information, visit www.crestron.com/opensource.

Crestron, the Crestron logo, and DigitalMedia are either trademarks or registered trademarks of Crestron Electronics, Inc. in the United States and/or other countries. HDMI and the HDMI logo are either trademarks or registered trademarks of HDMI Licensing LLC in the United States and/or other countries. Zoom Rooms is either a trademark or registered trademark of Zoom Video Communications, Inc. in the United States and/or other countries. Other trademarks, registered trademarks, and trade names may be used in this document to refer to either the entities claiming the marks and names or their products. Crestron disclaims any proprietary interest in the marks and names of others. Crestron is not responsible for errors in typography or photography.

HDMI

©2021 Crestron Electronics, Inc.

Doc ID 8469G

09/20/21