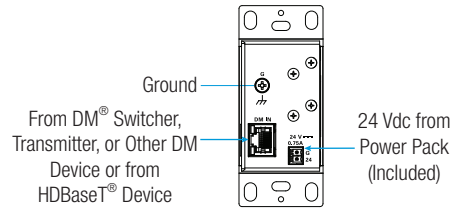


## DM-RX1-4K-C-1G

### Wall Plate 4K DigitalMedia 8G+™ Receiver

#### DO Make Connections to the Rear Panel

Make connections to the rear panel of the Crestron® DigitalMedia 8G+™ DM-RX1-4K-C-1G before mounting the unit into an electrical box. If the unit is to be mounted under a table or onto a flat surface or rack rail, make connections to the rear panel after the unit is mounted. (For mounting instructions, refer to the “DO Mount the DM-RX1-4K-C-1G” section in this guide.)



**NOTE:** The DM IN port is a PoDM (Power over DM) and PoH (Power over HDBaseT) PD (Powered Device) port. To receive PoDM or PoH, the DM-RX1-4K-C-1G requires a connection to a DigitalMedia™ switcher or other equipment that has a PoDM or PoH PSE (Power Sourcing Equipment) port. Any wiring that is connected to a PoDM or PoH PSE port is for intra-building use only and should not be connected to a line that runs outside of the building in which the PSE is located.

#### DO Mount the DM-RX1-4K-C-1G

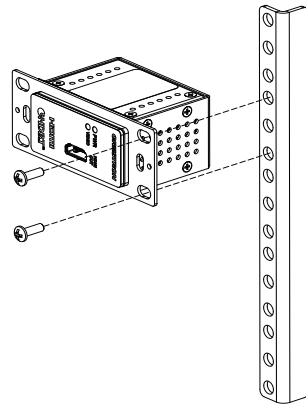
Mount the DM-RX1-4K-C-1G onto a rack rail, into an electrical box, under a table, or onto a flat surface as appropriate for the installation.

##### Mounting onto a Rack Rail

The DM-RX1-4K-C-1G mounts onto the front or rear rail of a rack.

To mount the unit onto a rack rail, do the following:

1. Position the DM-RX1-4K-C-1G horizontally so that the holes in the left or right mounting flange align with the holes in the rack rail.
2. Secure the unit to the rack rail using two mounting screws (not included).



#### DO Check the Box

QTY	PRODUCT	PART NUM.
1	Power Pack, 24 Vdc 0.75 A, 100-240 Vac	2037285
2	Screw, 6-32 x 3/4" L, Steel, Truss, Combo Head	2009211
1	Surface Mount Bracket	2016054
2	Screw, 4-40 x 1/4" L, Pan Head, Steel, SEMS with Washer	2007153
1	Interface Connector, Plug, 2-Pin	2003574

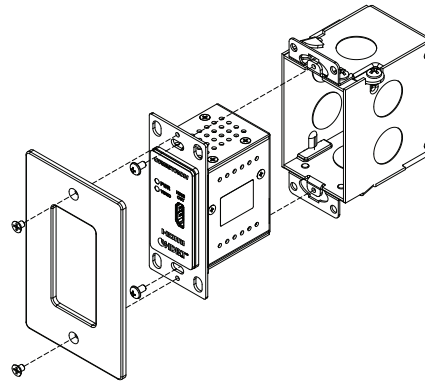
Not Included: Electrical Box, Phillips Head Screwdriver, Decorator-Style Faceplate and Screws, Cables, Rack Mount Screws, and Table or Surface Mount Screws

##### Mounting into an Electrical Box

The DM-RX1-4K-C-1G mounts into a 1-gang electrical box (not included). A minimum mounting depth of 3 1/2 inches (89 mm) is required.

To mount the DM-RX1-4K-C-1G into an electrical box, do the following:

1. Using a Phillips head screwdriver, attach the DM-RX1-4K-C-1G to the electrical box using the two included 6-32 x 3/4 inch truss combo head screws.
2. Attach a decorator-style faceplate (not included) to the front panel of the DM-RX1-4K-C-1G using two screws (not included).

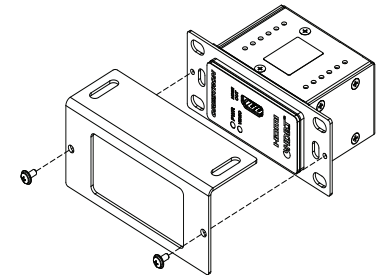


##### Mounting under a Table or onto a Flat Surface

The DM-RX1-4K-C-1G mounts under a table or onto a suitable flat surface using the included surface mount bracket.

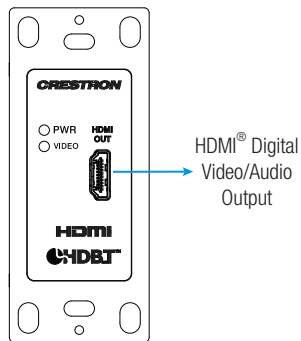
To mount the unit under a table or onto a flat surface, do the following:

1. Using a Phillips head screwdriver, attach the included surface mount bracket to the DM-RX1-4K-C-1G using the two included 4-40 x 1/4 inch SEMS screws.
2. Attach the bracket to the underside of a table or onto a flat surface using two mounting screws (not included).



## DO Make Connections to the Front Panel

Make connections to the front panel of the DM-RX1-4K-C-1G as required for the application.



## DO Learn More

Visit the website for additional information.

### Crestron Electronics

15 Volvo Drive, Rockleigh, NJ 07647  
888.CRESTRON | [www.crestron.com](http://www.crestron.com)



**CE** As of the date of manufacture, the product has been tested and found to comply with specifications for CE marking.

#### Federal Communications Commission (FCC) Compliance Statement

This device complies with part 15 of the FCC Rules. Operation is subject to the following conditions:

(1) This device may not cause harmful interference and (2) this device must accept any interference received, including interference that may cause undesired operation.

**Caution:** Changes or modifications not expressly approved by the manufacturer responsible for compliance could void the user's authority to operate the equipment.

**Note:** This equipment has been tested and found to comply with the limits for a Class B digital device, pursuant to part 15 of the FCC Rules. These limits are designed to provide reasonable protection against harmful interference in a residential installation. This equipment generates, uses and can radiate radio frequency energy and, if not installed and used in accordance with the instructions, may cause harmful interference to radio communications. However, there is no guarantee that interference will not occur in a particular installation.

If this equipment does cause harmful interference to radio or television reception, which can be determined by turning the equipment off and on, the user is encouraged to try to correct the interference by one or more of the following measures:

- Reorient or relocate the receiving antenna
- Increase the separation between the equipment and receiver
- Connect the equipment into an outlet on a circuit different from that to which the receiver is connected
- Consult the dealer or an experienced radio/TV technician for help

#### Industry Canada (IC) Compliance Statement

CAN ICES-3(B)/NMB-3(B)

The specific patents that cover Crestron products are listed at [patents.crestron.com](http://patents.crestron.com).

Product warranty can be found at [www.crestron.com/warranty](http://www.crestron.com/warranty).

Crestron, the Crestron logo, DigitalMedia, DigitalMedia 8G+, and DM are either trademarks or registered trademarks of Crestron Electronics, Inc. in the United States and/or other countries. HDBaseT and the HDBaseT Alliance logo are either trademarks or registered trademarks of the HDBaseT Alliance in the United States and/or other countries. HDMI and the HDMI logo are either trademarks or registered trademarks of HDMI Licensing LLC in the United States and/or other countries. Other trademarks, registered trademarks, and trade names may be used in this document to refer to either the entities claiming the marks and names or their products. Crestron disclaims any proprietary interest in the marks and names of others. Crestron is not responsible for errors in typography or photography.

This document was written by the Technical Publications department at Crestron.

©2015 Crestron Electronics, Inc.