

Crestron **RMK-IFE-1U**

IFE Rack Mount Kit

---

Installation Guide



The specific patents that cover Crestron products are listed at [patents.crestron.com](http://patents.crestron.com).

Crestron, and the Crestron logo are either trademarks or registered trademarks of Crestron Electronics, Inc. in the United States and/or other countries. Other trademarks, registered trademarks, and trade names may be used in this document to refer to either the entities claiming the marks and names or their products. Crestron disclaims any proprietary interest in the marks and names of others. *Crestron is not responsible for errors in typography or photography.*

This document was written by the Technical Publications department at Crestron.  
©2014 Crestron Electronics, Inc.

# Contents

<b>IFE Rack Mount Kit: RMK-IFE-1U</b>	<b>1</b>
Introduction .....	1
Features and Functions .....	1
Specifications .....	1
Physical Description .....	2
Configuration & Installation .....	3
Resources .....	5
Further Inquiries .....	5
Future Updates .....	5
Return and Warranty Policies .....	6
Merchandise Returns / Repair Service .....	6
Crestron Limited Warranty .....	6



# IFE Rack Mount Kit: RMK-IFE-1U

---

## Introduction

The RMK-IFE-1U Integrator Friendly Enclosure (IFE) Rack Mount Kit provides a rack mount shelf for products manufactured with a Crestron® IFE. The RMK-IFE-1U comes fully assembled and only requires installation.

## Features and Functions

- 19" black, steel, rack-mountable shelf
- Fully assembled
- 1U high
- Accommodates a combination of up to three micro devices, three small devices, or two medium devices
- Devices can be installed forward or set back to allow wiring of ports located on the front and rear of devices
- Removable front plate allows access to installed devices

## Specifications

Specifications for the RMK-IFE-1U are listed in the following table.

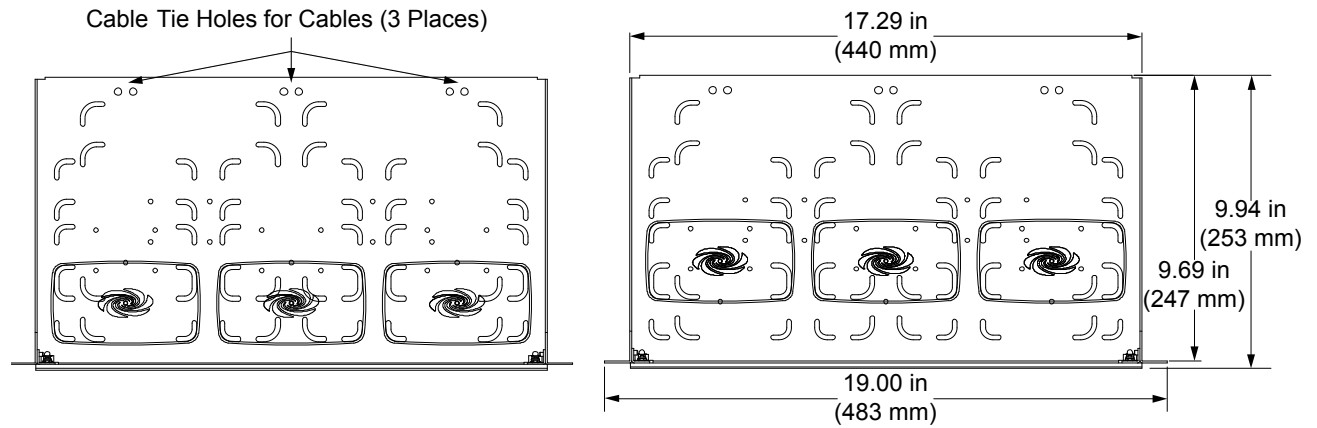
### *RMK-IFE-1U Specifications*

SPECIFICATION	DETAILS
Construction	Black, 19" rack mountable
Dimensions	
Height	1.72 in (44 mm)
Width	19.00 in (483 mm)
Depth	9.94 in (253 mm)
Weight	3.5 lb (1.6 kg)

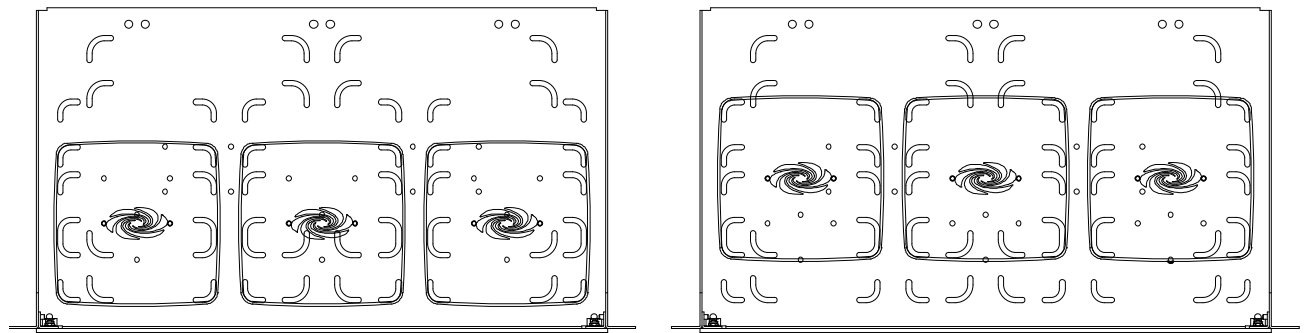
## Physical Description

Device configurations for the RMK-IFE-1U are shown in the following diagrams.

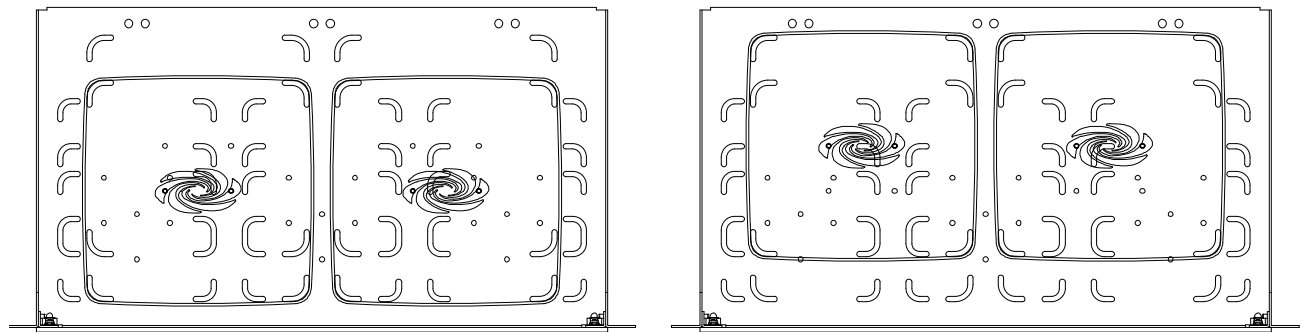
**RMK-IFE-1U Overall Dimensions Showing Micro Device Placed Forward (Left) and Set Back (Right)**



**RMK-IFE-1U Showing Small Devices Placed Forward (Left) and Set Back (Right)**



**RMK-IFE-1U Showing Medium Devices Placed Forward (Left) and Set Back (Right)**



---

## Configuration and Installation

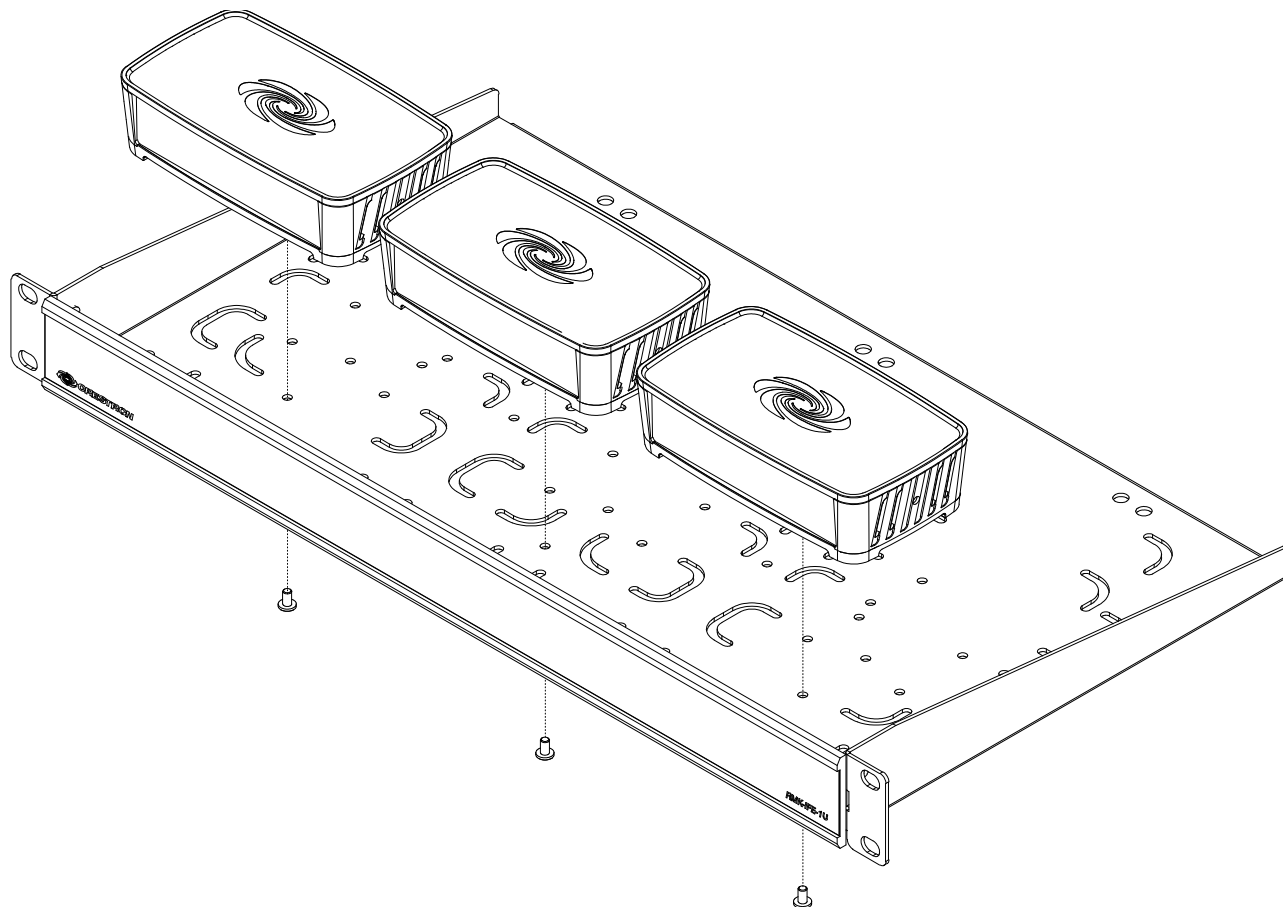
### Configuration

Prior to installing the RMK-IFE-1U in a rack, devices must be attached to the shelf. Devices can be placed on the shelf in a variety of configurations. Devices can be placed forward for easier access to the device's front panel or set back for easier access to the device's rear panel. For layout options, refer to the illustrations in "Physical Description" on page 2.

Perform the following procedure to place a device on the shelf:

1. Remove the mounting bracket from the device.
2. Place the device into the cutout grooves of the desired position. For a correct fit, all of the device's feet must be seated in the cutout grooves. For details, refer to the diagram following this procedure.
3. Use a screwdriver and the included screw(s) to secure the device to the shelf. The micro enclosure uses one screw while the small and medium enclosures use two screws.
4. Repeat for each device to be mounted on the shelf.

### Place and Secure Devices on the Shelf



### Installation

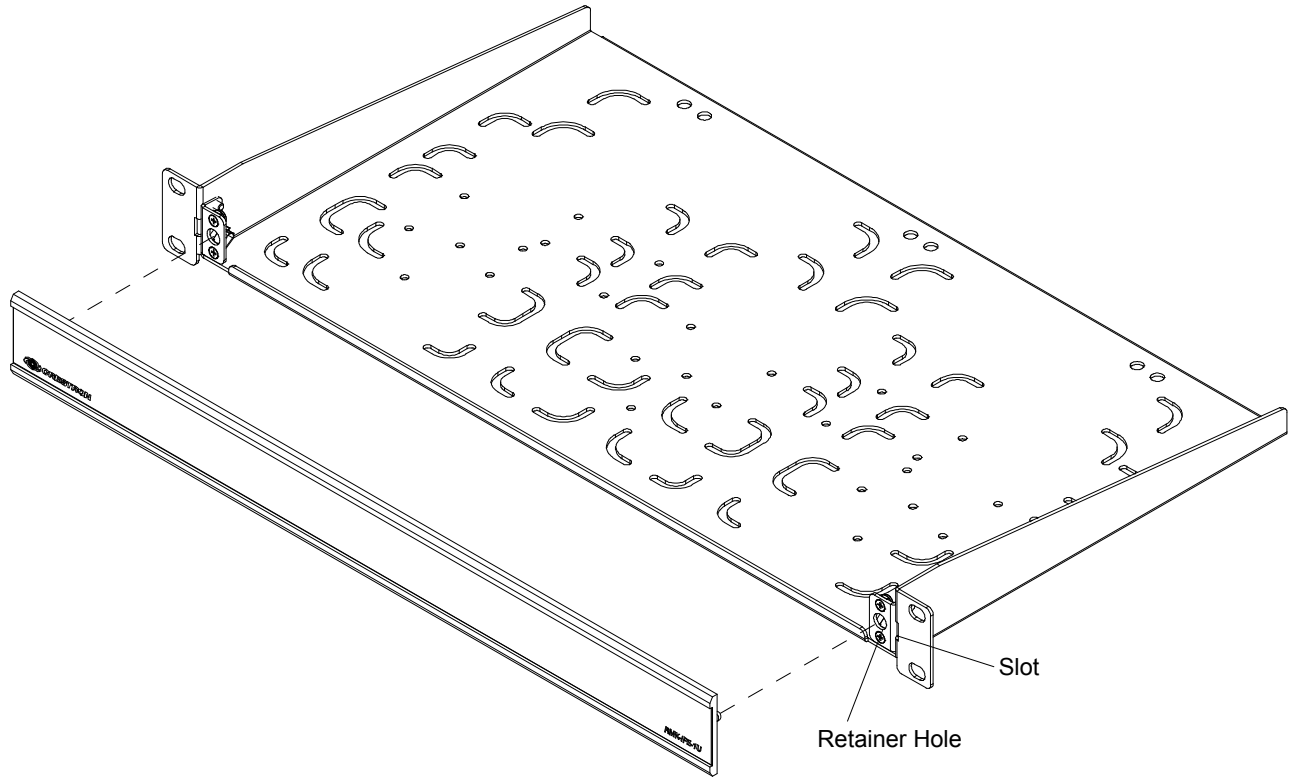
Install the shelf into a rack space using a screwdriver and four rack screws (not supplied).

**Front Panel**

The front panel can be easily removed to allow access to installed devices.

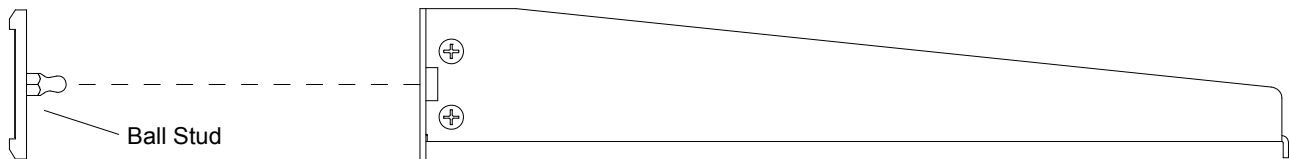
To remove the panel, insert a flat blade screwdriver into the slot by the rack ear and push forward to release the panel from the retainer clips and free from the shelf. Refer to the following diagram for details.

**Front Panel Removal**



To install the front panel, align the ball studs on the front panel with the retainer holes on the front of the shelf and push the front panel in until it snaps into place.

**Front Panel Installation**





---

## Resources

### Further Inquiries

To locate specific information or resolve questions after reviewing this guide, contact Crestron's True Blue Support at 1-888-CRESTRON [1-888-273-7876] or, for assistance within a particular geographic region, refer to the listing of Crestron worldwide offices at [www.crestron.com/offices](http://www.crestron.com/offices).

To post a question about Crestron products, log onto Crestron's Online Help at [www.crestron.com/onlinehelp](http://www.crestron.com/onlinehelp). First-time users must establish a user account to fully benefit from all available features.

### Future Updates

As Crestron improves functions, adds new features, and extends the capabilities of the RMK-IFE-1U, additional information may be made available as manual updates. These updates are solely electronic and serve as intermediary supplements prior to the release of a complete technical documentation revision.

Check the Crestron website periodically for manual update availability and its relevance. Updates are identified as an "Addendum" in the Download column.

---

## Return and Warranty Policies

### Merchandise Returns / Repair Service

1. No merchandise may be returned for credit, exchange or service without prior authorization from Crestron. To obtain warranty service for Crestron products, contact an authorized Crestron dealer. Only authorized Crestron dealers may contact the factory and request an RMA (Return Merchandise Authorization) number. Enclose a note specifying the nature of the problem, name and phone number of contact person, RMA number and return address.
2. Products may be returned for credit, exchange or service with a Crestron Return Merchandise Authorization (RMA) number. Authorized returns must be shipped freight prepaid to Crestron, 6 Volvo Drive, Rockleigh, N.J. or its authorized subsidiaries, with RMA number clearly marked on the outside of all cartons. Shipments arriving freight collect or without an RMA number shall be subject to refusal. Crestron reserves the right in its sole and absolute discretion to charge a 15% restocking fee plus shipping costs on any products returned with an RMA.
3. Return freight charges following repair of items under warranty shall be paid by Crestron, shipping by standard ground carrier. In the event repairs are found to be non-warranty, return freight costs shall be paid by the purchaser.

### Crestron Limited Warranty

Crestron Electronics, Inc. warrants its products to be free from manufacturing defects in materials and workmanship under normal use for a period of three (3) years from the date of purchase from Crestron, with the following exceptions: disk drives and any other moving or rotating mechanical parts, pan/tilt heads and power supplies are covered for a period of one (1) year; touch screen display and overlay components are covered for 90 days; batteries and incandescent lamps are not covered.

This warranty extends to products purchased directly from Crestron or an authorized Crestron dealer. Purchasers should inquire of the dealer regarding the nature and extent of the dealer's warranty, if any.

Crestron shall not be liable to honor the terms of this warranty if the product has been used in any application other than that for which it was intended or if it has been subjected to misuse, accidental damage, modification or improper installation procedures. Furthermore, this warranty does not cover any product that has had the serial number altered, defaced or removed.

This warranty shall be the sole and exclusive remedy to the original purchaser. In no event shall Crestron be liable for incidental or consequential damages of any kind (property or economic damages inclusive) arising from the sale or use of this equipment. Crestron is not liable for any claim made by a third party or made by the purchaser for a third party.

Crestron shall, at its option, repair or replace any product found defective, without charge for parts or labor. Repaired or replaced equipment and parts supplied under this warranty shall be covered only by the unexpired portion of the warranty.

Except as expressly set forth in this warranty, Crestron makes no other warranties, expressed or implied, nor authorizes any other party to offer any warranty, including any implied warranties of merchantability or fitness for a particular purpose. Any implied warranties that may be imposed by law are limited to the terms of this limited warranty. This warranty statement supersedes all previous warranties.

This page is intentionally left blank.



Crestron Electronics, Inc.  
15 Volvo Drive Rockleigh, NJ 07647  
Tel: 888.CRESTRON  
Fax: 201.767.7576  
[www.crestron.com](http://www.crestron.com)



Installation Guide – DOC. 7627A  
(2039659)

01.14

Specifications subject to  
change without notice.