

Crestron **UFO-WPR-3ER-DS**  
Indoor Desktop Docking Station  
for UFO-WPR-3ER

---

Operations Guide



This document was prepared and written by the Technical Documentation department at:



### Regulatory Compliance

As of the date of manufacture, the UFO-WPR-3ER-DS has been tested and found to comply with specifications for CE marking and standards per EMC and Radiocommunications Compliance Labelling.



The specific patents that cover Crestron products are listed at [patents.crestron.com](http://patents.crestron.com).

Crestron and the Crestron logo are either trademarks or registered trademarks of Crestron Electronics, Inc. in the United States and/or other countries. Other trademarks and trade names may be used in this document to refer to either the entities claiming the marks and names or their products. Crestron disclaims any proprietary interest in the marks and names of others.

©2012 Crestron Electronics, Inc.

# Contents

## **Indoor Desktop Docking Station for UFO-WPR-3ER: UFO-WPR-3ER-DS 1**

Introduction .....	1
Features and Functions .....	1
Specifications .....	2
Physical Description .....	3
Setup .....	5
Resources .....	6
Further Inquiries .....	6
Future Updates .....	6
Return and Warranty Policies .....	7
Merchandise Returns / Repair Service .....	7
Crestron Limited Warranty .....	7



# Indoor Desktop Docking Station for UFO-WPR-3ER: UFO-WPR-3ER-DS

---

## Introduction

The Crestron® UFO-WPR-3ER-DS is a docking station and battery charger designed specifically for use with the UFO-WPR-3ER Waterproof Wireless LCD Remote. It is designed to sit on a table or countertop\* and includes magnets to hold the remote in place while docked. The docking station is powered by an outlet-mounted power pack (included).

In addition to charging the UFO-WPR-3ER remote during normal use, the docking station is also utilized at setup time by the installer to load the configuration project to the remote. A USB computer port is provided behind a small cover plate for use in configuring the remote.

One UFO-WPR-3ER-DS docking station is included with every UFO-WPR-3ER remote. Additional units may be purchased as replacements or to provide multiple docking locations. For wall mount and outdoor applications, use model UFO-WPR-3ER-DSCE (sold separately).

## Features and Functions

- Indoor surface mountable docking station
- Provides a simple battery charging solution
- 5 Volt power pack included

\* Surface mounting is possible using two #06-32 mounting bolts (not supplied). Surface mounting requires access to the underside of the mounting surface. Bolts must not protrude more than 1/4" (6 mm) into the docking station or damage will occur. For wall mount and outdoor applications, use model UFO-WPR-3ER-DSCE (sold separately). For installations requiring bolts longer than 1/4" (6 mm) use the two spacers included with the UFO-WPR-3ER-DS.

## Specifications

Specifications for the UFO-WPR-3ER-DS are listed in the following table.

### *UFO-WPR-3ER-DS Specifications*

SPECIFICATION	DETAILS
Power Requirements Power Pack	1.2 Amps @ 5 Volts DC; 100-240 Volts AC, 50/60 Hz power pack included
Environmental Temperature Humidity	32° to 131° F (0° to 55° C) 10% to 100% RH (non-condensing)
Enclosure	Plastic and metal, free standing or surface mount <sup>1</sup> ; for indoor use only
Dimensions Height Width Depth	1.04 in (27 mm) including rubber feet <sup>2</sup> 4.65 in (119 mm) 4.70 in (120 mm)
Weight	11 oz (295 g)
Included Accessory	5 Volt Power Pack, Universal

1. Surface mounting is possible using two #06-32 mounting bolts (not supplied). Surface mounting requires access to the underside of the mounting surface. Bolts must not protrude more than 1/4" (6 mm) into the docking station or damage will occur. For wall mount and outdoor applications, use model UFO-WPR-3ER-DSCE (sold separately). For installations requiring bolts longer than 1/4" (6 mm) use the two spacers included with the UFO-WPR-3ER-DS.
2. Combined height of the UFO-WPR-3ER-DS docking station with UFO-WPR-3ER remote docked is 2.13 in (54 mm).

## Physical Description

This section provides information on the connections, controls and indicators available on your UFO-WPR-3ER-DS.

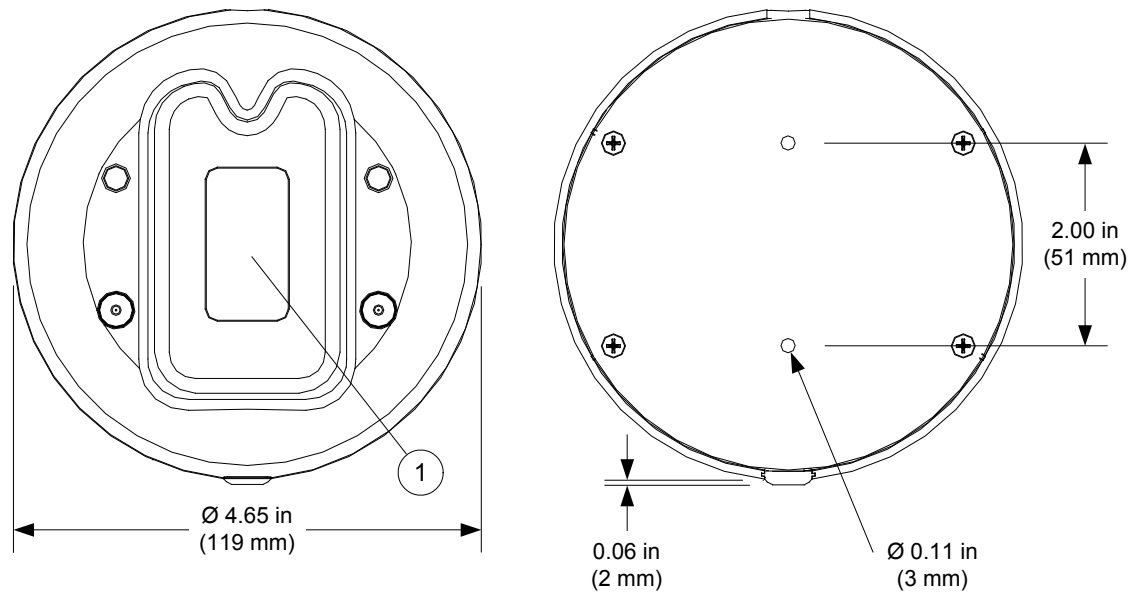
*UFO-WPR-3ER-DS Physical View (Top)*



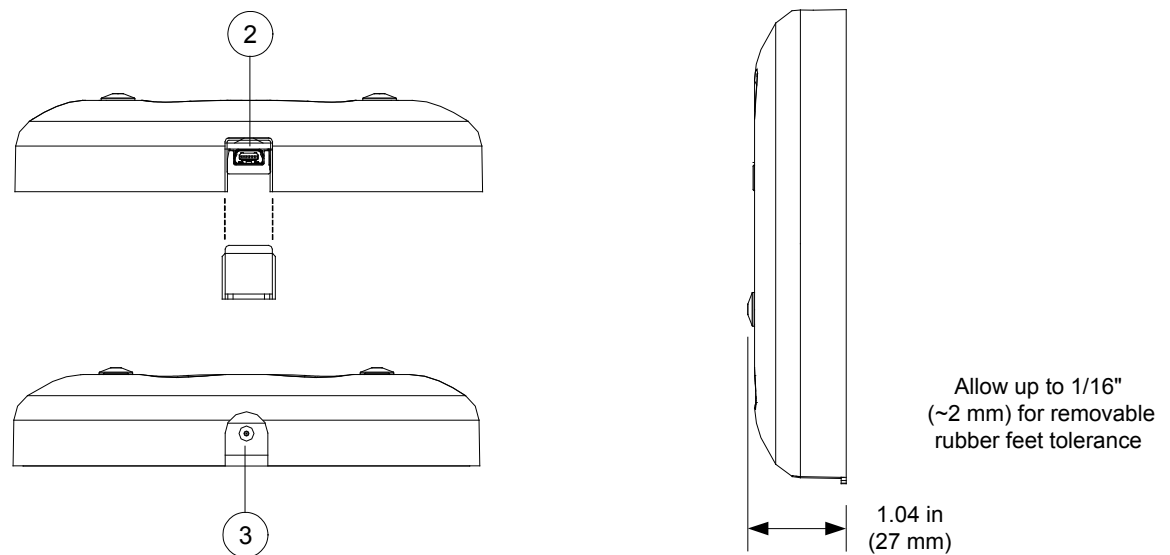
*UFO-WPR-3ER-DS Physical View (Bottom)*





*UFO-WPR-3ER-DS Docking Station/Charger Dimensions (Top and Bottom Views)*



*UFO-WPR-3ER-DS Docking Station/Charger Dimensions (Top, Bottom and Side Views)*



**Connectors, Controls & Indicators**

#	CONNECTORS, CONTROLS & INDICATORS	DESCRIPTION
1	Power LED	(1) Green LED, indicates power supplied via local power pack
2	USB 	(1) Mini type AB female behind cover; USB 1.1. computer console port, for installer use only
3	Power 	(1) 1.3 mm x 3.5 mm barrel DC power jack; 5 Volt DC power input (power supply included); Polarity: center pin positive.



---

## Setup

---

**CAUTION:** Ensure the UFO-WPR-3ER is dry before placing it on the docking station.

**CAUTION:** To prevent possible damage to the included power pack, avoid accidental shorting of the electrical contacts. Only the UFO-WPR-3ER should be placed on the docking station.

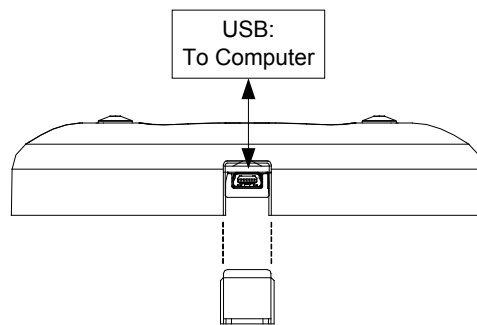
---

The only connection to the UFO-WPR-3ER-DS is for the included 5 Volt power pack.

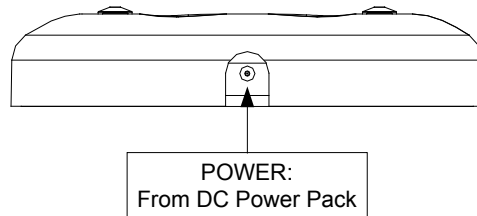
When connecting the UFO-WPR-3ER-DS, consider the following:

- Use Crestron power supplies for Crestron equipment.
- The included cable cannot be extended.

**Hardware Connections for the UFO-WPR-3ER-DS (Front View)**



**Hardware Connections for the UFO-WPR-3ER-DS (Rear View)**



---

## Resources

### Further Inquiries

If you cannot locate specific information or have questions after reviewing this guide, please take advantage of Crestron's award winning customer service team by calling Crestron at 1-888-CRESTRON [1-888-273-7876]. For assistance in your region, please refer to the Crestron Web site ([www.crestron.com/offices](http://www.crestron.com/offices)) for a listing of Crestron worldwide offices.

You can also log onto the online help section of the Crestron Web site ([www.crestron.com/onlinehelp](http://www.crestron.com/onlinehelp)) to ask questions about Crestron products. First-time users must establish a user account to fully benefit from all available features.

### Future Updates

As Crestron improves functions, adds new features and extends the capabilities of the UFO-WPR-3ER-DS, additional information may be made available as manual updates. These updates are solely electronic and serve as intermediary supplements prior to the release of a complete technical documentation revision.

Check the Crestron Web site periodically for manual update availability and its relevance. Updates are identified as an “Addendum” in the Download column.

---

## Return and Warranty Policies

### Merchandise Returns / Repair Service

1. No merchandise may be returned for credit, exchange or service without prior authorization from Crestron. To obtain warranty service for Crestron products, contact an authorized Crestron dealer. Only authorized Crestron dealers may contact the factory and request an RMA (Return Merchandise Authorization) number. Enclose a note specifying the nature of the problem, name and phone number of contact person, RMA number and return address.
2. Products may be returned for credit, exchange or service with a Crestron Return Merchandise Authorization (RMA) number. Authorized returns must be shipped freight prepaid to Crestron, 6 Volvo Drive, Rockleigh, N.J. or its authorized subsidiaries, with RMA number clearly marked on the outside of all cartons. Shipments arriving freight collect or without an RMA number shall be subject to refusal. Crestron reserves the right in its sole and absolute discretion to charge a 15% restocking fee plus shipping costs on any products returned with an RMA.
3. Return freight charges following repair of items under warranty shall be paid by Crestron, shipping by standard ground carrier. In the event repairs are found to be non-warranty, return freight costs shall be paid by the purchaser.

### Crestron Limited Warranty

Crestron Electronics, Inc. warrants its products to be free from manufacturing defects in materials and workmanship under normal use for a period of three (3) years from the date of purchase from Crestron, with the following exceptions: disk drives and any other moving or rotating mechanical parts, pan/tilt heads and power supplies are covered for a period of one (1) year; touch screen display and overlay components are covered for 90 days; batteries and incandescent lamps are not covered.

This warranty extends to products purchased directly from Crestron or an authorized Crestron dealer. Purchasers should inquire of the dealer regarding the nature and extent of the dealer's warranty, if any.

Crestron shall not be liable to honor the terms of this warranty if the product has been used in any application other than that for which it was intended or if it has been subjected to misuse, accidental damage, modification or improper installation procedures. Furthermore, this warranty does not cover any product that has had the serial number altered, defaced or removed.

This warranty shall be the sole and exclusive remedy to the original purchaser. In no event shall Crestron be liable for incidental or consequential damages of any kind (property or economic damages inclusive) arising from the sale or use of this equipment. Crestron is not liable for any claim made by a third party or made by the purchaser for a third party.

Crestron shall, at its option, repair or replace any product found defective, without charge for parts or labor. Repaired or replaced equipment and parts supplied under this warranty shall be covered only by the unexpired portion of the warranty.

Except as expressly set forth in this warranty, Crestron makes no other warranties, expressed or implied, nor authorizes any other party to offer any warranty, including any implied warranties of merchantability or fitness for a particular purpose. Any implied warranties that may be imposed by law are limited to the terms of this limited warranty. This warranty statement supersedes all previous warranties.



**Crestron Electronics, Inc.**  
15 Volvo Drive Rockleigh, NJ 07647  
Tel: 888.CRESTRON  
Fax: 201.767.7576  
[www.crestron.com](http://www.crestron.com)

**Operations Guide – DOC. 7120B  
(2029307)**

**05.12**

Specifications subject to  
change without notice.