

Crestron **MK-QM-RMCRX**
Mounting Kit

Installation Guide



CRESTRON

This document was prepared and written by the Technical Documentation Department at:



Crestron Electronics, Inc.
15 Volvo Drive
Rockleigh, NJ 07647
1-888-CRESTRON

All brand names, product names and trademarks are the property of their respective owners.

©2004 Crestron Electronics, Inc.

Mounting Kit: MK-QM-RMCRX

Description

The Crestron MK-QM-RMCRX provides a sturdy mounting to a 1¼ – 1½ inch I.D. (inside diameter) galvanized steel pole for the QM-RMCRX. The simple to use hardware provides a robust clamp for the QM-RMCRX, and permits mounting the unit close to the display device. This allows for shorter cable runs and easy access.

NOTE: Ensure that the installation meets all required local safety codes and the pipe load capacity is certified.

Supplied Components

DESCRIPTION	PART NUMBER	QUANTITY
Metal Bracket, Mounting, Top	2009784	1
Metal Bracket, Mounting, Bottom	2009785	1
#6-32 Screw, 1.25”L, Stainless Steel, Pan Phil, Blk	2009913	4
#6 Spacer, 7/8”L, Round, .250”OD, Black	2009911	4
¼”-20 Screw, 1.5”L, Stainless Steel, Socket, Blk	2009932	2
Washer, Flat, Steel, B Narrow 0.500” OD, 0.281” ID, 0.063”TH, Blk	2009915	2

Installation

Tools Required

- #1 Phillips screwdriver
- 1/4" Allen wrench

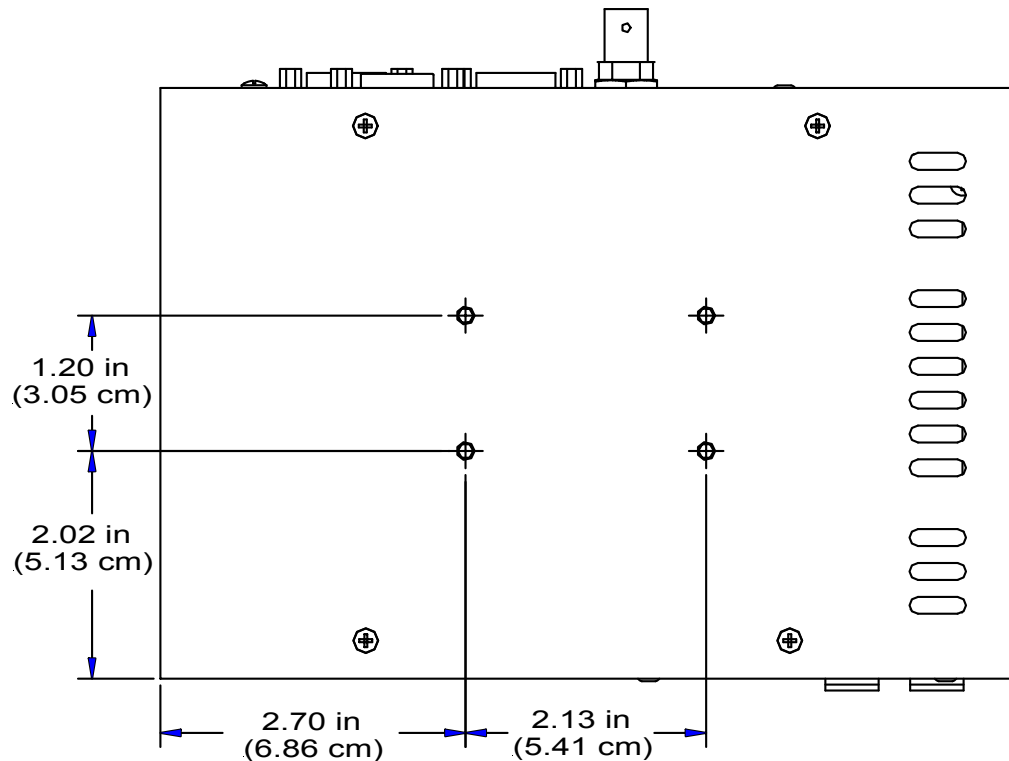
Mounting Instructions

The MK-QM-RMCRX attaches to the PEM nuts in the cover of the QM-RMCRX. There are three possible mounting positions.

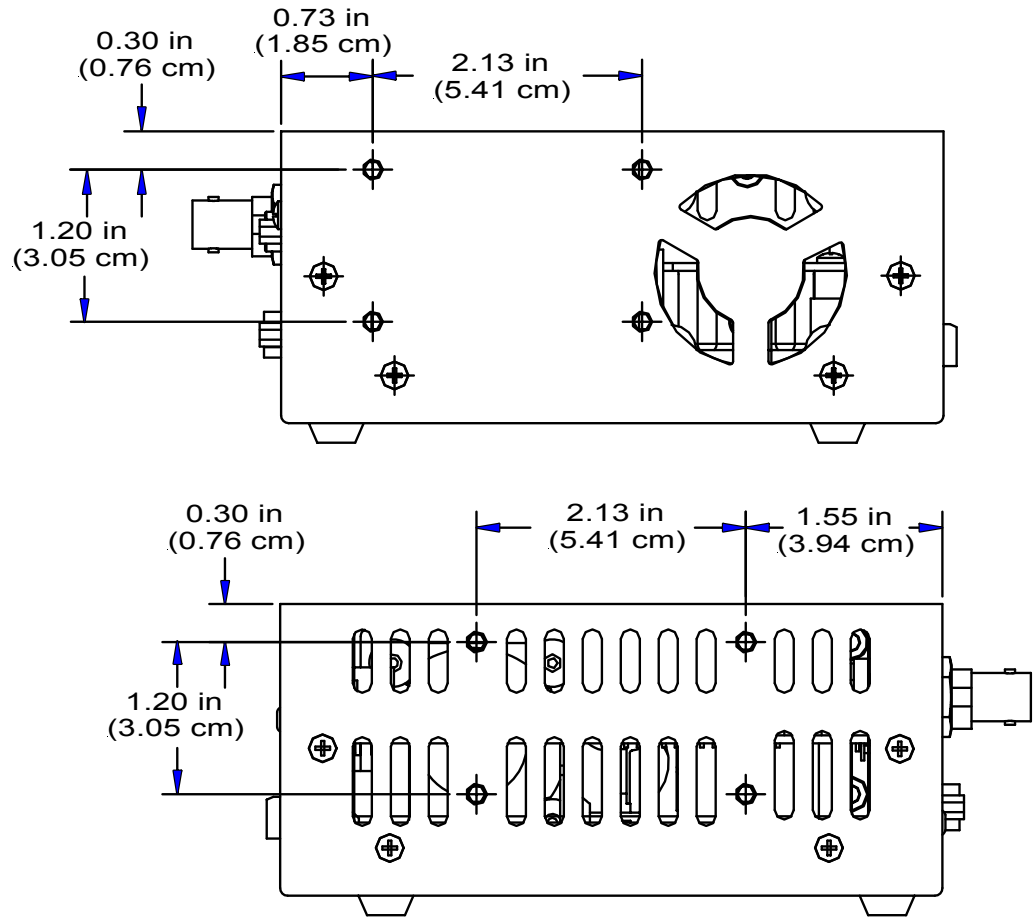
- Using the top center PEM nuts in the QM-RMCRX cover
- Using the left side PEM nuts in the QM-RMCRX cover
- Using the right side PEM nuts in the QM-RMCRX cover

NOTE: Use care not to block the fan or the ventilation holes when mounting the QM-RMCRX.

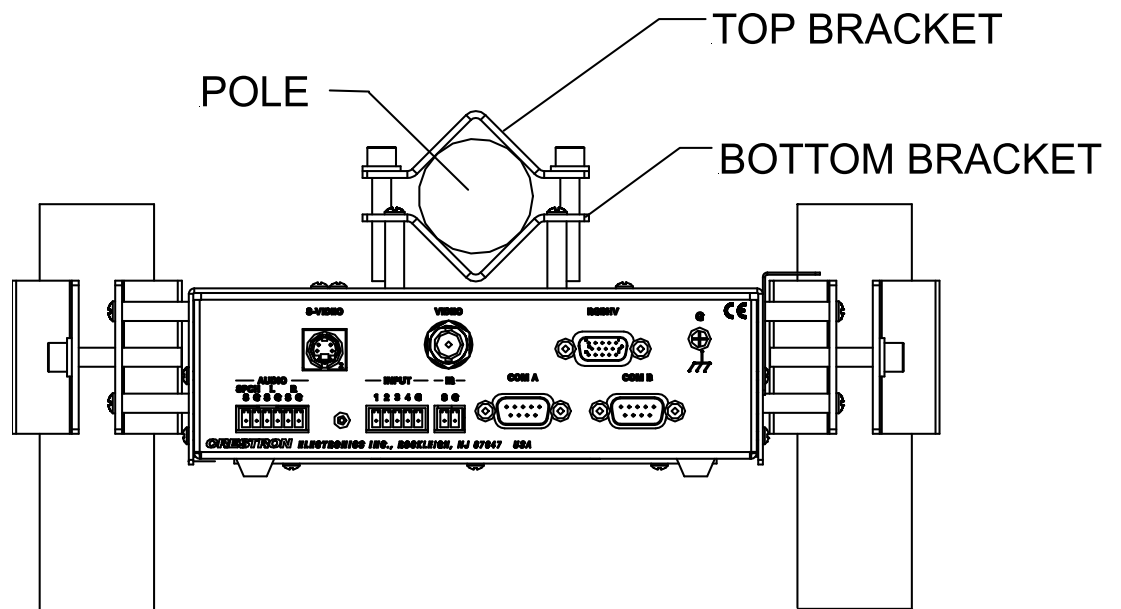
Top Cover PEM Nut Locations



Left and Right Side Cover PEM Nut Locations

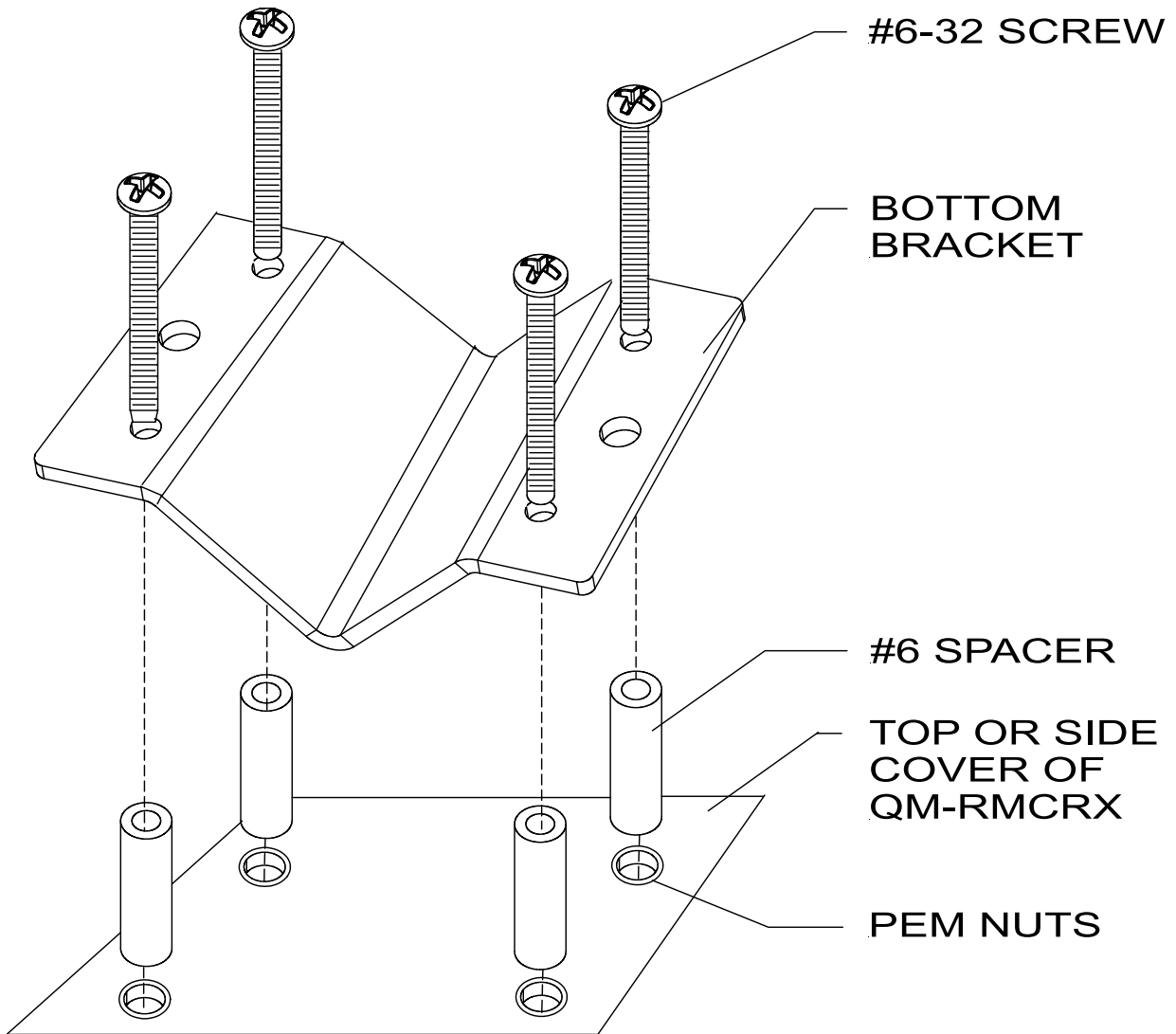


Mounting Locations, Top, Left, or Right Side



1. Mount the bottom bracket of the MK-QM-RMCRX to the QM-RMCRX PEM nuts using the four #6-32 screws and spacers provided.

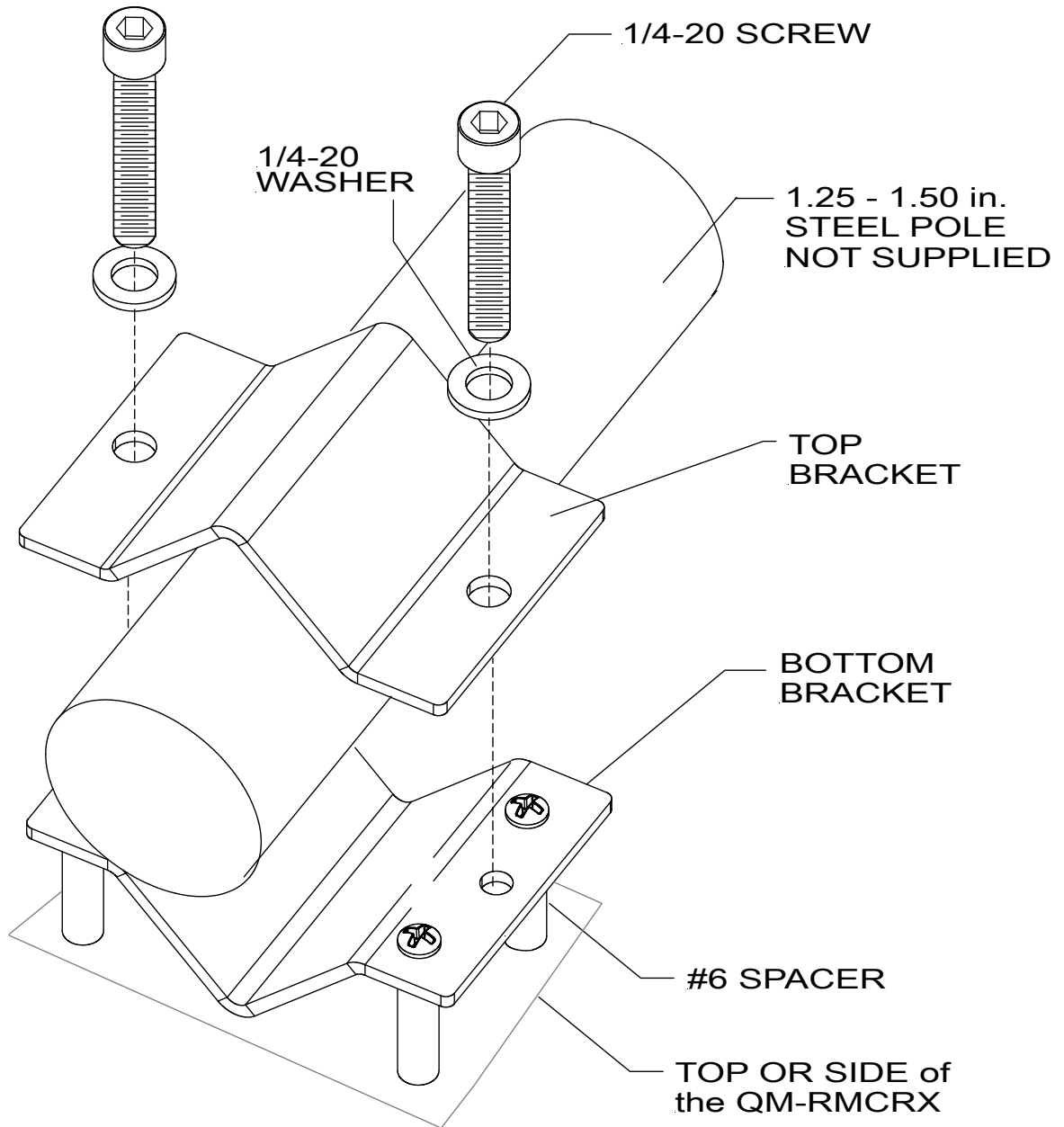
Bottom Bracket Mounting



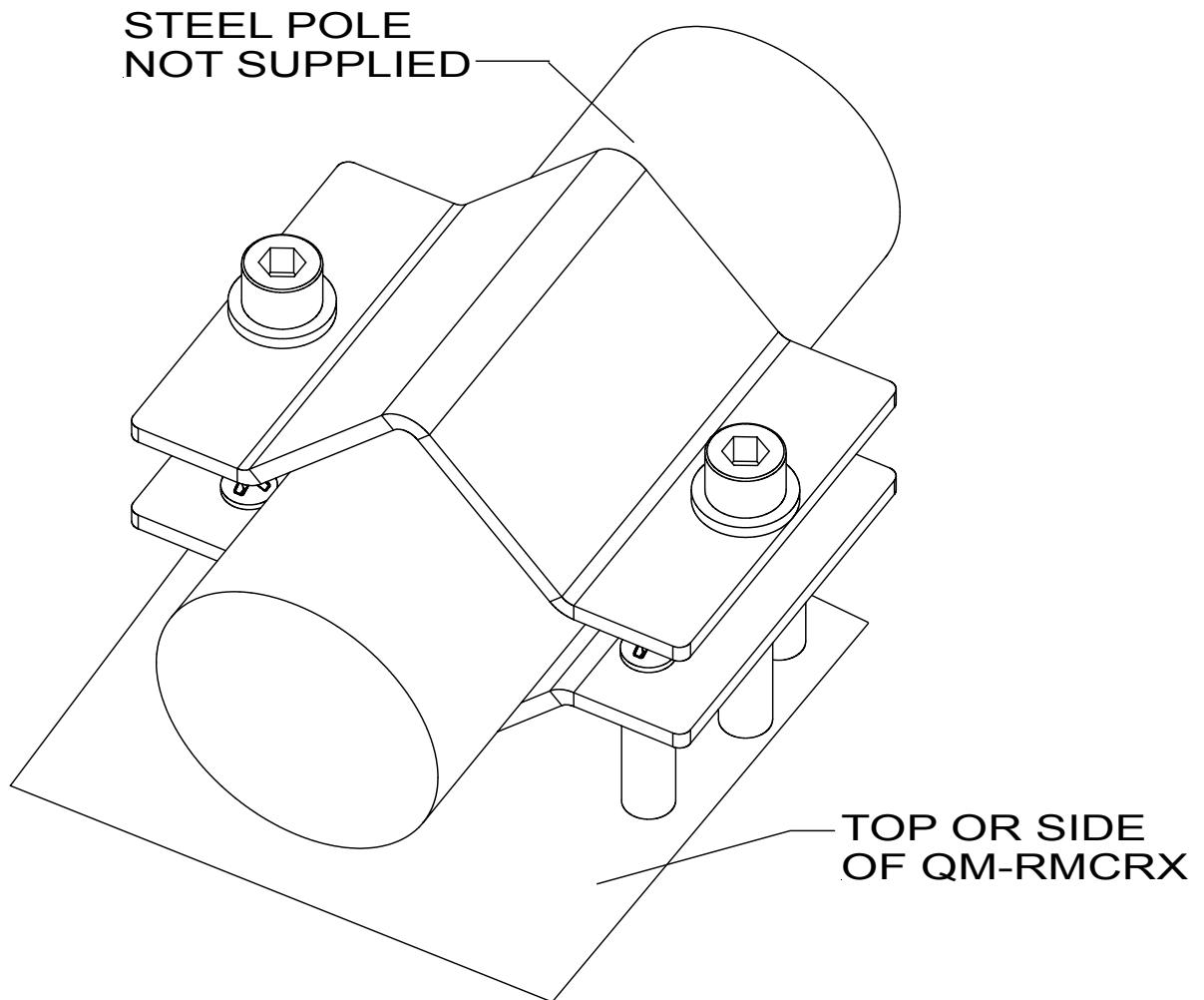
2. Secure the assembly to the customer-supplied pole by using the top bracket and the two $\frac{1}{4}$ "-20 screws and washers provided.

NOTE: An Allen wrench is required to tighten the $\frac{1}{4}$ "-20 screws.

Top Bracket Assembly to Customer-Supplied Pole



Completed Bracket Assembly



Further Inquiries

If after reviewing this Installation Guide, you cannot locate specific information or have questions, please take advantage of the Crestron award winning customer service team by calling:

- In the US and Canada, call the Crestron corporate headquarters at 1-888-CRESTRON [1-888-273-7876].
- In Europe, call Crestron International at +32-15-50-99-50.
- In Asia, call Crestron Asia at +852-2341-2016.
- In Latin America, call Crestron Latin America at +5255-5093-2160.
- In Australia and New Zealand, call Crestron Pacific at +613-9480-2999.

You can also log onto the online help section of the Crestron website (www.crestron.com) to ask questions about Crestron products. First-time users will need to establish a user account to fully benefit from all available features.

Return and Warranty Policies

Merchandise Returns / Repair Service

1. No merchandise may be returned for credit, exchange, or service without prior authorization from CRESTRON. To obtain warranty service for CRESTRON products, contact the factory and request an RMA (Return Merchandise Authorization) number. Enclose a note specifying the nature of the problem, name and phone number of contact person, RMA number, and return address.
2. Products may be returned for credit, exchange, or service with a CRESTRON Return Merchandise Authorization (RMA) number. Authorized returns must be shipped freight prepaid to CRESTRON, 6 Volvo Drive, Rockleigh, N.J., or its authorized subsidiaries, with RMA number clearly marked on the outside of all cartons. Shipments arriving freight collect or without an RMA number shall be subject to refusal. CRESTRON reserves the right in its sole and absolute discretion to charge a 15% restocking fee, plus shipping costs, on any products returned with an RMA.
3. Return freight charges following repair of items under warranty shall be paid by CRESTRON, shipping by standard ground carrier. In the event repairs are found to be non-warranty, return freight costs shall be paid by the purchaser.

CRESTRON Limited Warranty

CRESTRON ELECTRONICS, Inc. warrants its products to be free from manufacturing defects in materials and workmanship under normal use for a period of three (3) years from the date of purchase from CRESTRON, with the following exceptions: disk drives and any other moving or rotating mechanical parts, pan/tilt heads and power supplies are covered for a period of one (1) year; touchscreen display and overlay components are covered for 90 days; batteries and incandescent lamps are not covered.

This warranty extends to products purchased directly from CRESTRON or an authorized CRESTRON dealer. Purchasers should inquire of the dealer regarding the nature and extent of the dealer's warranty, if any.

CRESTRON shall not be liable to honor the terms of this warranty if the product has been used in any application other than that for which it was intended, or if it has been subjected to misuse, accidental damage, modification, or improper installation procedures. Furthermore, this warranty does not cover any product that has had the serial number altered, defaced, or removed.

This warranty shall be the sole and exclusive remedy to the original purchaser. In no event shall CRESTRON be liable for incidental or consequential damages of any kind (property or economic damages inclusive) arising from the sale or use of this equipment. CRESTRON is not liable for any claim made by a third party or made by the purchaser for a third party.

CRESTRON shall, at its option, repair or replace any product found defective, without charge for parts or labor. Repaired or replaced equipment and parts supplied under this warranty shall be covered only by the unexpired portion of the warranty.

Except as expressly set forth in this warranty, CRESTRON makes no other warranties, expressed or implied, nor authorizes any other party to offer any warranty, including any implied warranties of merchantability or fitness for a particular purpose. Any implied warranties that may be imposed by law are limited to the terms of this limited warranty. This warranty statement supercedes all previous warranties.

Trademark Information

All brand names, product names, and trademarks are the sole property of their respective owners. Windows is a registered trademark of Microsoft Corporation. Windows95/98/Me/XP and WindowsNT/2000 are trademarks of Microsoft Corporation.

This page intentionally left blank.



Crestron Electronics, Inc.
15 Volvo Drive Rockleigh, NJ 07647
Tel: 888.CRESTRON
Fax: 201.767.7576
www.crestron.com

Installation Guide – DOC. 6247
01.04

Specifications subject to
change without notice.