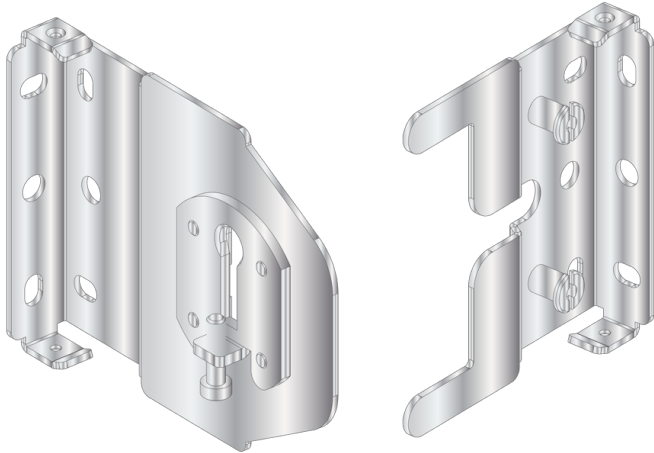


QMT5 Series Décor Shade Hardware



- *Modern-looking hardware for outside or inside-mounted roller shades*
- *Compact design, takes up less space on mounting surface*
- *Adjustable brackets for shade leveling without any hardware removal*
- *Decorative end caps fit over mounting brackets and come in a variety of finishes*
- *Designed for use with Crestron CSM-QMTDC-250-4 Digital QMT® motors¹*
- *Optional brackets for manually operated shading solutions*

QMT5 Series Décor Shade Hardware from Crestron® is a small mounting system that allows a Crestron shade to be mounted on a wall, ceiling, or window jamb where the entire shade will be exposed, giving the space a contemporary look. The hardware is designed for use with the compact Crestron CSM-QMTDC-250-4 Digital QMT® motors¹.

The QMT5 Series Décor Shade Hardware also includes shade brackets for manual operation. Manually operated shades are a cost-effective solution for any shading application. Whether for installations in which motorized shades are unnecessary or not feasible or as a stop-gap before upgrading to motorized shades, manual shades offer the small profile and reliable, easy-to-install hardware of a Crestron shading solution with minimum effort.

To enhance child safety, the manual clutch roller shades are equipped with a Chainhold Tension Device. This device is integrated into the product during manufacturing and cannot be removed without breaking. The chainhold tension device maintains tension on the chain when installed properly. If not properly installed, it prevents the shade from fully operating.

An adjustable plate on the mounting brackets lets the idler end of the roller shade be moved up and down without having to remove the mounting brackets from the wall, allowing an installer to compensate for mounting conditions that are not level. The QMT motor snaps into the bracket and has a quick release button to make installation and removal quick and easy without the need for special tools. For ceiling mounting, the brackets are rotated 90 degrees, leaving a smaller dimensional projection than a wall mount. End caps slide onto the mounting brackets for a more finished look.

NOTE: The CSS-DECOR5 is sold as part of a custom-configured product and orders are placed via the Crestron® Design Tool for Crestron Shading Solutions. To configure shades or order shading parts and accessories, please use the Crestron Design Tool for Crestron or call 1-855-53-S-H-A-D-E (537-4233) for support.

Models

CSS-DECOR5

QMT5 Series Décor Shade Hardware

Available Accessories

For a list of available accessories, visit the [CSS-DECOR5](#) product page.

Note:

1. Available in models [CSM-QMTDC-250-4-CN](#) and [CSM-QMTDC-250-4-EX](#).

This product may be purchased from select authorized Crestron dealers and distributors. To find a dealer or distributor, please contact the Crestron sales representative for your area. A list of sales representatives is available online at www.crestron.com/How-To-Buy/Find-a-Representative or contact us for additional information by visiting www.crestron.com/contact/our-locations for your local contact.

The original language version of this document is U.S. English. All other languages are a translation of the original document.

The product warranty can be found at www.crestron.com/warranty.

The specific patents that cover Crestron products are listed online at www.crestron.com/legal/patents.

Certain Crestron products contain open source software. For specific information, please visit www.crestron.com/opensource.

CSS-DECOR5

QMT5 Series Décor Shade Hardware

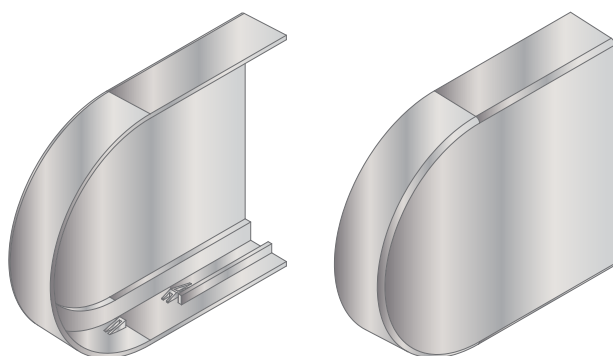
Crestron, the Crestron logo, and QMT are either trademarks or registered trademarks of Crestron Electronics, Inc. in the United States and/or other countries. Other trademarks, registered trademarks, and trade names may be used in this document to refer to either the entities claiming the marks and names or their products. Crestron disclaims any proprietary interest in the marks and names of others. Crestron is not responsible for errors in typography or photography.

Specifications are subject to change without notice.

©2024 Crestron Electronics, Inc.

Rev 06/13/24

END CAPS

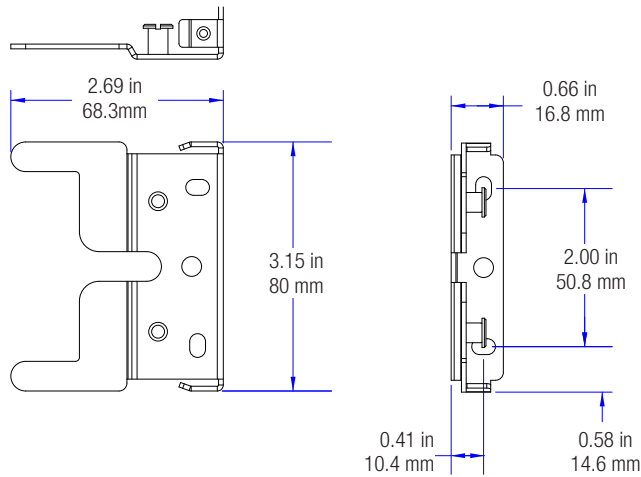
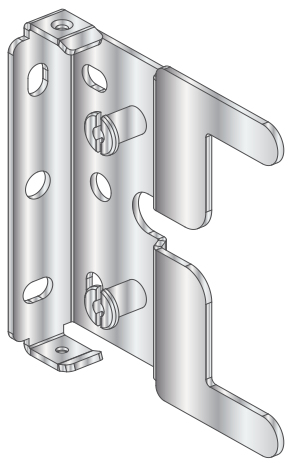


End Caps (Qty. 2) **(CSA-DECOR5-BRKT-CAP)**

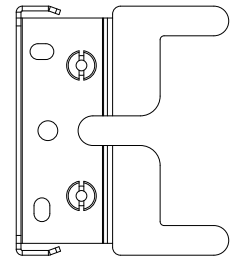
Available Finishes: White, Black, Gray, Brown, Almond, Chrome, Brushed Nickel, Antique Bronze

CSS-DECOR5 QMT5 Series Décor Shade Hardware

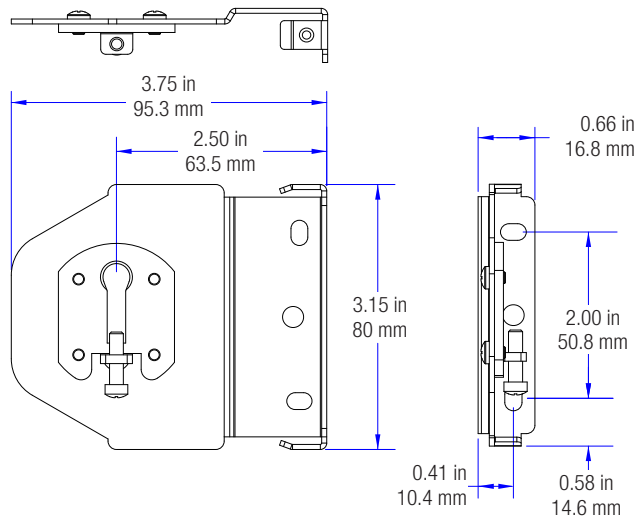
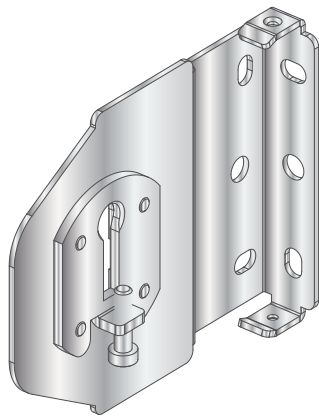
MOUNTING BRACKETS (MOTORIZED)



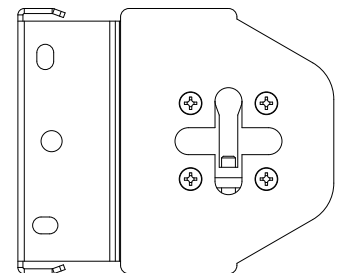
Available Finishes: White only



**Mounting Bracket, Motor Side
(CSA-DECOR5-BRKT)***



Available Finishes: White only

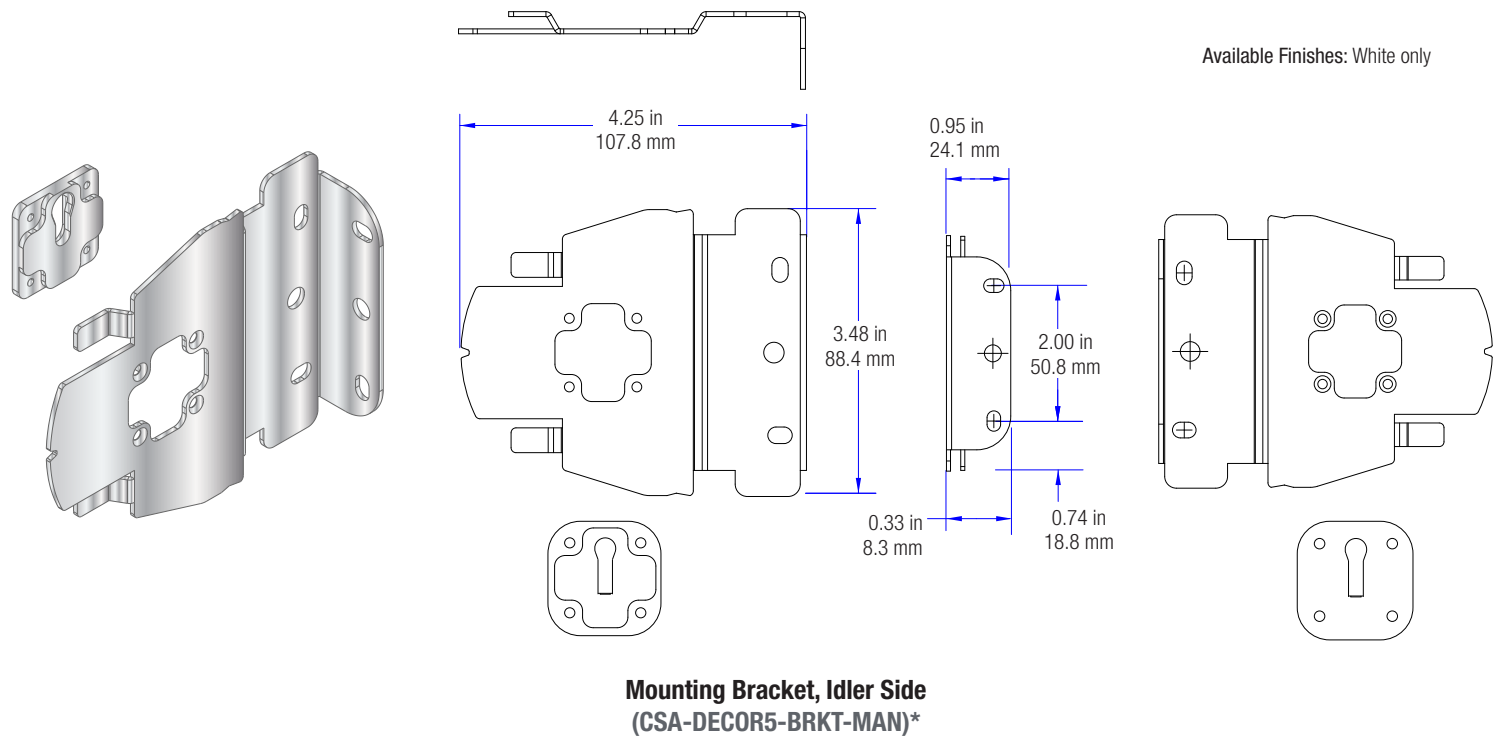
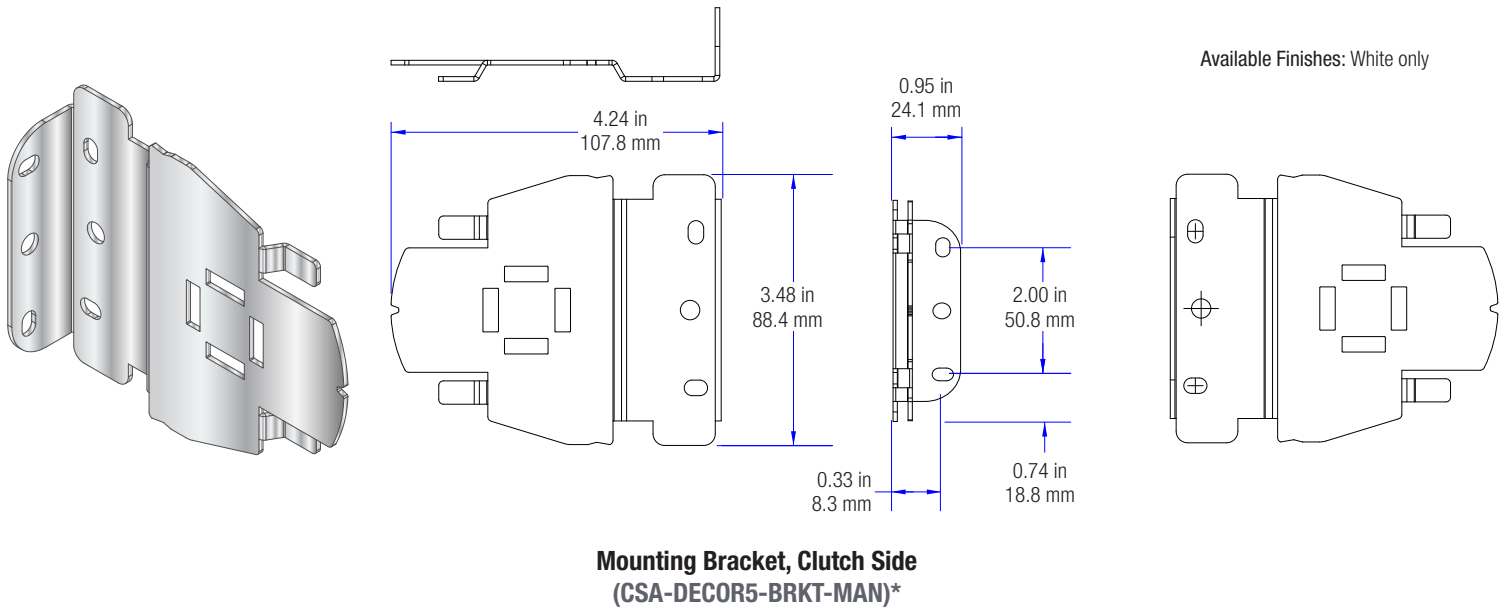


**Mounting Bracket, Idler Side
(CSA-DECOR5-BRKT)***

* Mounting brackets are sold in pairs. The CSA-DECOR5-BRKT includes both the motor side bracket and the idler side bracket.

CSS-DECOR5 QMT5 Series Décor Shade Hardware

MOUNTING BRACKETS (MANUAL)



* Mounting brackets are sold in pairs. The CSA-DECOR5-BRKT-MAN includes both the clutch side bracket and the idler side bracket.*