

# MPC3/MPB3-TTK-SQR

## Tabletop Kit for MPC3-201

- Converts an MPC3-201 to a stylish tabletop controller
- Provides a 45° fixed operating angle
- Includes a 3.6 m (12 ft) LAN cable

The MPC3/MPB3-TTK-SQR tabletop kit provides a stylish tabletop enclosure for the MPC3-201 3-Series® media presentation controller. When installed in the enclosure, the front panel of the controller sits flush with the enclosure housing and is tilted at a 45° angle. A 3.6 m (12 ft) black CAT5e LAN cable is included. The cable passes out the rear of the enclosure through a strain-relieving grommet. The complete assembly may be placed on any flat, level surface for use.

### Specifications

#### Construction

Plastic enclosure, black, 45° fixed operating angle, for freestanding tabletop use

#### Dimensions

**Height:** 94 mm (3.70 in.)

**Width:** 105 mm (4.10 in.)

**Depth:** 124 mm (4.85 in.)

#### Weight

386 g (13.6 oz);

594 g (21.0 oz) with MPC3-201 installed

### Models and Accessories

#### Available Models

##### MPC3/MPB3-TTK-SQR

Tabletop Kit for MPC3-201, Black



This product may be purchased from an authorized Crestron dealer. To find a dealer, please contact the Crestron sales representative for your area. A list of sales representatives is available online at [www.crestron.com/How-To-Buy/Find-a-Representative](http://www.crestron.com/How-To-Buy/Find-a-Representative) or by calling 855-263-8754.

The specific patents that cover Crestron products are listed online at [www.crestron.com/legal/patents](http://www.crestron.com/legal/patents).

Certain Crestron products contain open source software. For specific information, visit [www.crestron.com/opensource](http://www.crestron.com/opensource).

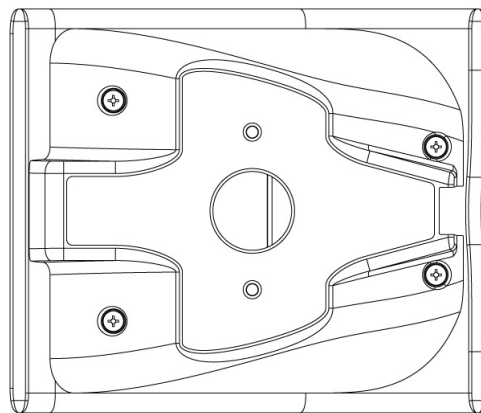
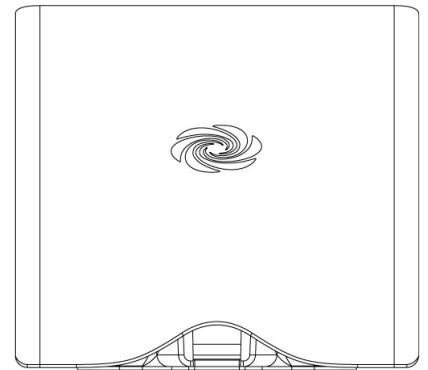
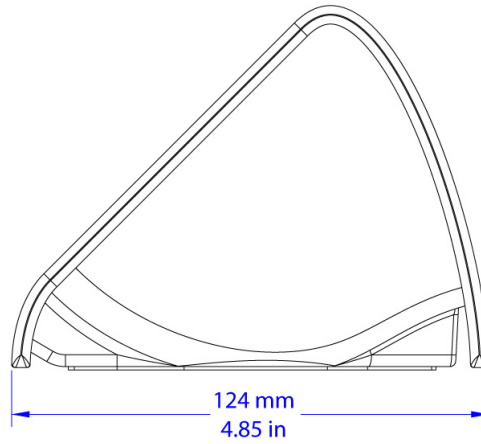
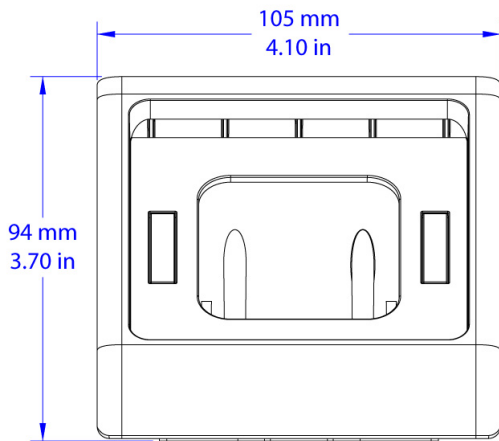
Crestron, the Crestron logo, and 3-Series are either trademarks or registered trademarks of Crestron Electronics, Inc. in the United States and/or other countries. Other trademarks, registered trademarks, and trade names may be used in this document to refer to either the entities claiming the marks and names or their products. Crestron disclaims any proprietary interest in the marks and names of others. Crestron is not responsible for errors in typography or photography.

Specifications are subject to change without notice.

©2019 Crestron Electronics, Inc.

# MPC3/MPB3-TTK-SQR

## Tabletop Kit for MPC3-201



Rev 04/23/19