

Crestron **BB-V15**

Pre-Construction Wall Mount Back Box

Installation Guide



This document was prepared and written by the Technical Documentation department at:



Crestron Electronics, Inc.
15 Volvo Drive
Rockleigh, NJ 07647
1-888-CRESTRON

Industry Compliance

This product is Listed to applicable UL Standards and requirements by Underwriters Laboratories Inc.



As of the date of manufacture, the BB-V15 has been tested and found to comply with specifications for CE marking, standards per EMC and Radiocommunications Compliance Labelling.



Contents

Pre-Construction Wall Mount Back Box: BB-V15	1
Description.....	1
Setup.....	5
Supplied Hardware.....	5
Assembly.....	5
Mounting.....	5
Touchpanel Installation.....	9
Other Mounting Option Accessories.....	10
Resources.....	11
Reference Documents.....	11
Further Inquiries.....	11
Future Updates.....	11
Return and Warranty Policies.....	12
Merchandise Returns / Repair Service.....	12
CRESTRON Limited Warranty.....	12

Pre-Construction Wall Mount Back Box: BB-V15

Description

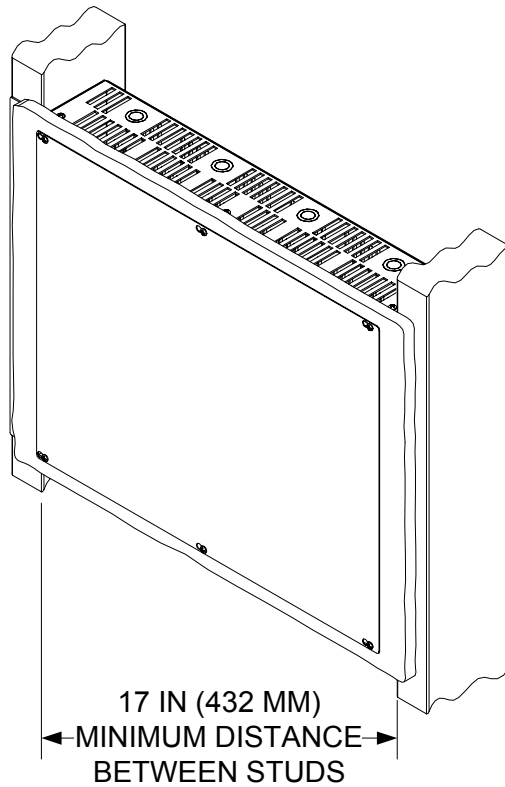
The BB-V15 back box provides a UL[®]-listed recess-mount steel enclosure for the V15-WALL V-Panel 15” Wall Mount Touchpanel display. It is also compatible with the WMKC-V15 V-Panel Wall Mount Conversion Kit. Designed for pre-construction applications, the BB-V15 permits fastening to the studs of a framed wall prior to installation of drywall. An assortment of knockouts is provided to accommodate conduit fittings, and a blank cover plate is included to provide a temporary cover of the opening during construction.

NOTE: If mounting into a material other than drywall (e.g., wood lectern, concrete, or rock) use the cutout template, available in the post-construction kit WMKM-V15 or WMKT-V15.

NOTE: For concrete and rock mounting material, allow for proper ventilation before mounting the touchpanel.

The mounted view of the BB-V15 is shown below.

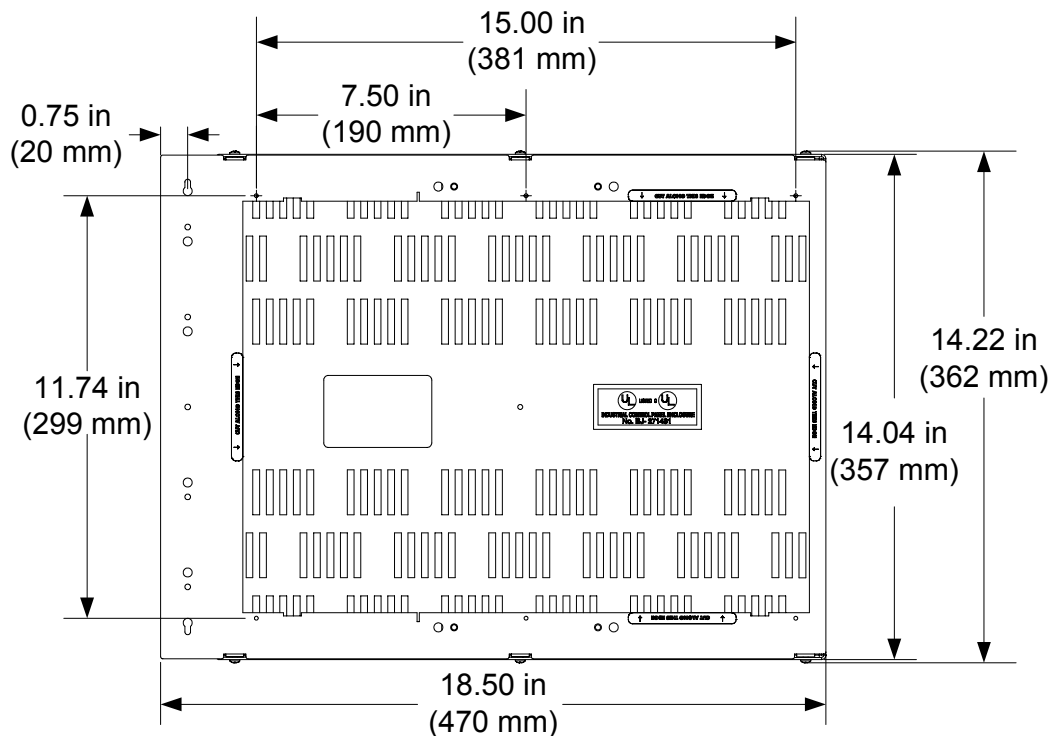
BB-V15 Mounted View (Optional Cover Plate Attached)



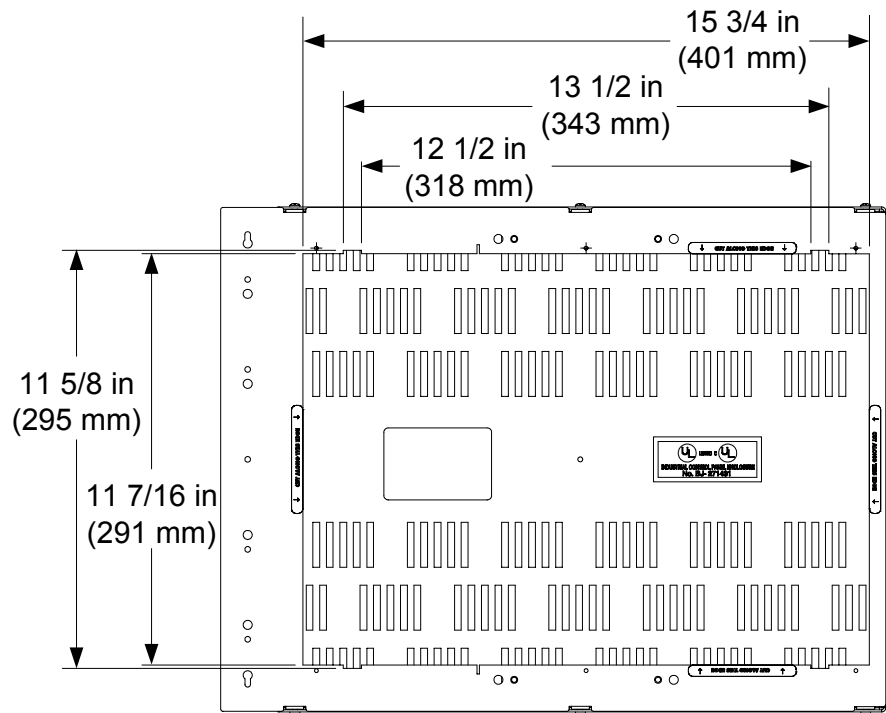
NOTE: Allow an air gap of at least 12 inches (305 mm) in the wall cavity above and below the touchpanel for heat dissipation.

The dimensions of the BB-V15 are shown below and on the next page.

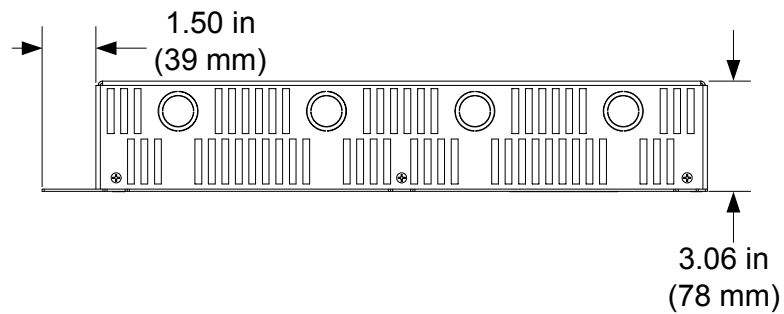
Overall Dimensions (Front View, 1 of 2)



Overall Dimensions (Front View, 2 of 2)

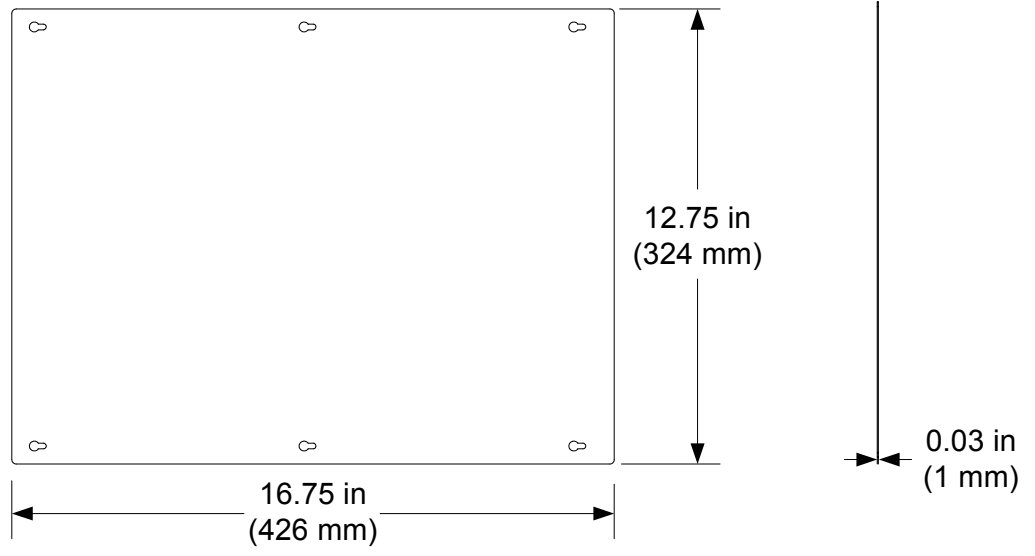


Overall Dimensions (Top View)



NOTE: Knockout holes are intended for Class 2 wiring only and are 1/2" (13 mm) and 3/4" (20 mm) diameter.

Overall Dimensions (Cover Plate)



Setup

Supplied Hardware

The hardware supplied with the BB-V15 is listed in the following table.

Supplied Hardware for the BB-V15

DESCRIPTION	PART NUMBER	QUANTITY
Assembly, Wall Mount, Back Box	4508410	1
Metal, Plate, Blank	2023920	1
Screw, #08-8B x 1/4", Pan, Phil	2007277	1
Screw, #06-32 x 1-1/2", Pan, Phil	2007254	6

Assembly

Required Tools:

- #2 Phillips tip screwdriver

The back box mounting enclosure assembly comes fully assembled except for a grounding screw. To prepare for mounting complete the following procedure.

1. Remove knockouts as required.
2. Attach the supplied #08-8B self-tapping screw (2007277) to back box mounting enclosure assembly for grounding. Refer to the first illustration on the page 7.

Mounting

Required Tools and Materials:

- #2 Phillips tip screwdriver or hammer
- Level
- Standard drywall screws or nails (not included)

CAUTION: Allow an air gap of at least 12 inches (305 mm) in the wall cavity above and below the touchpanel for heat dissipation.

NOTE: If your installation is not on wooden studs, be sure to consider the needs of your particular situation. For example, screw type may vary for steel studs, etc.

NOTE: To maintain optimum structural integrity, Crestron recommends installing header and footer studs around the BB-V15 and the required air gap.

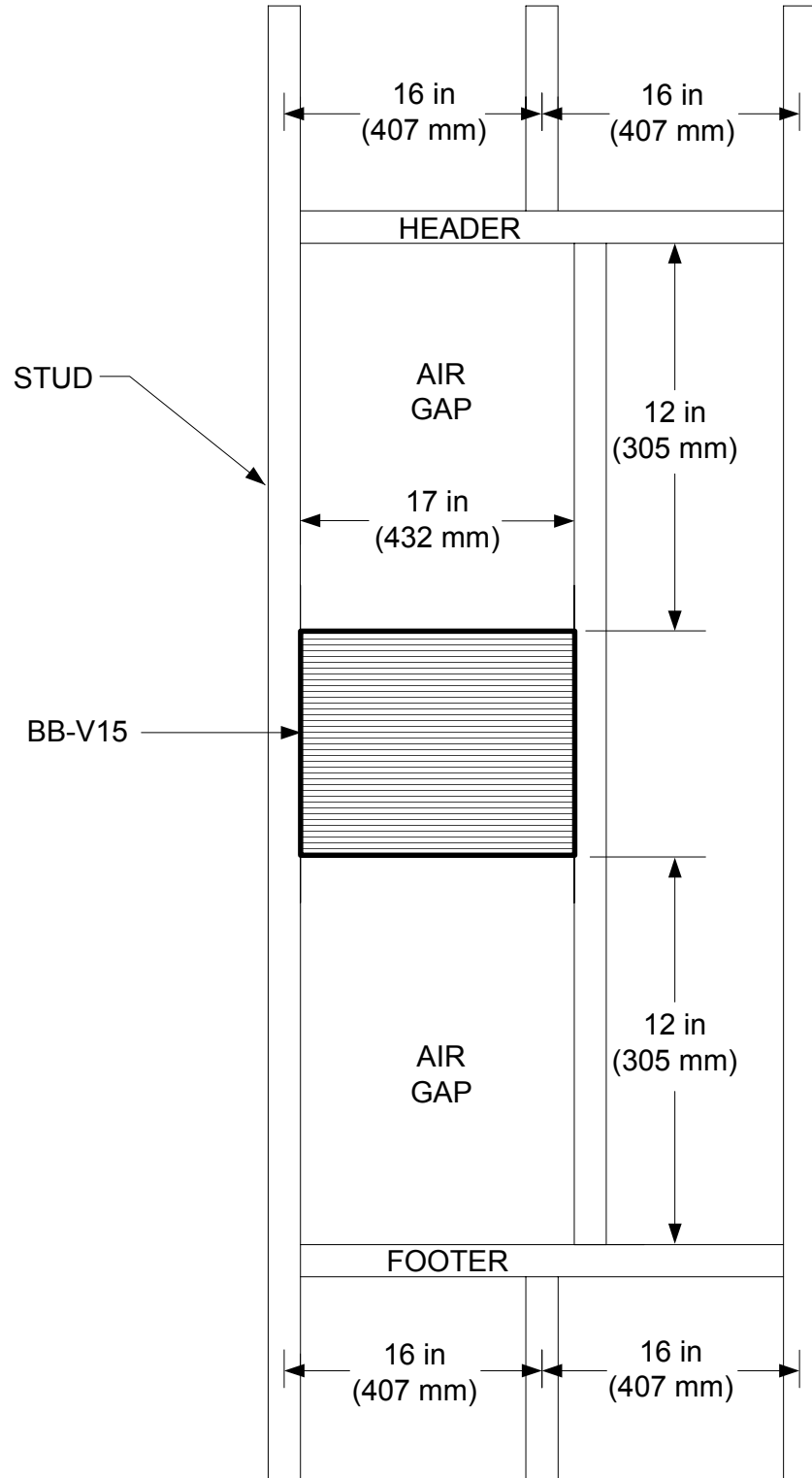
NOTE: The BB-V15 requires a 17" (432 mm) wide space between the studs where it is to be placed. The BB-V15 will not fit otherwise.

NOTE: The BB-V15 has been optimized for mounting in 5/8" (15 mm) drywall. You may use 1/2" – 1" (12.5 – 25 mm) without issue. Thinner or thicker drywall will cause issues with the installation.

Complete the following procedure (refer to illustrations on the next page) to mount the back box.

1. Frame the opening for the BB-V15. Refer to the image below for visual guidance.

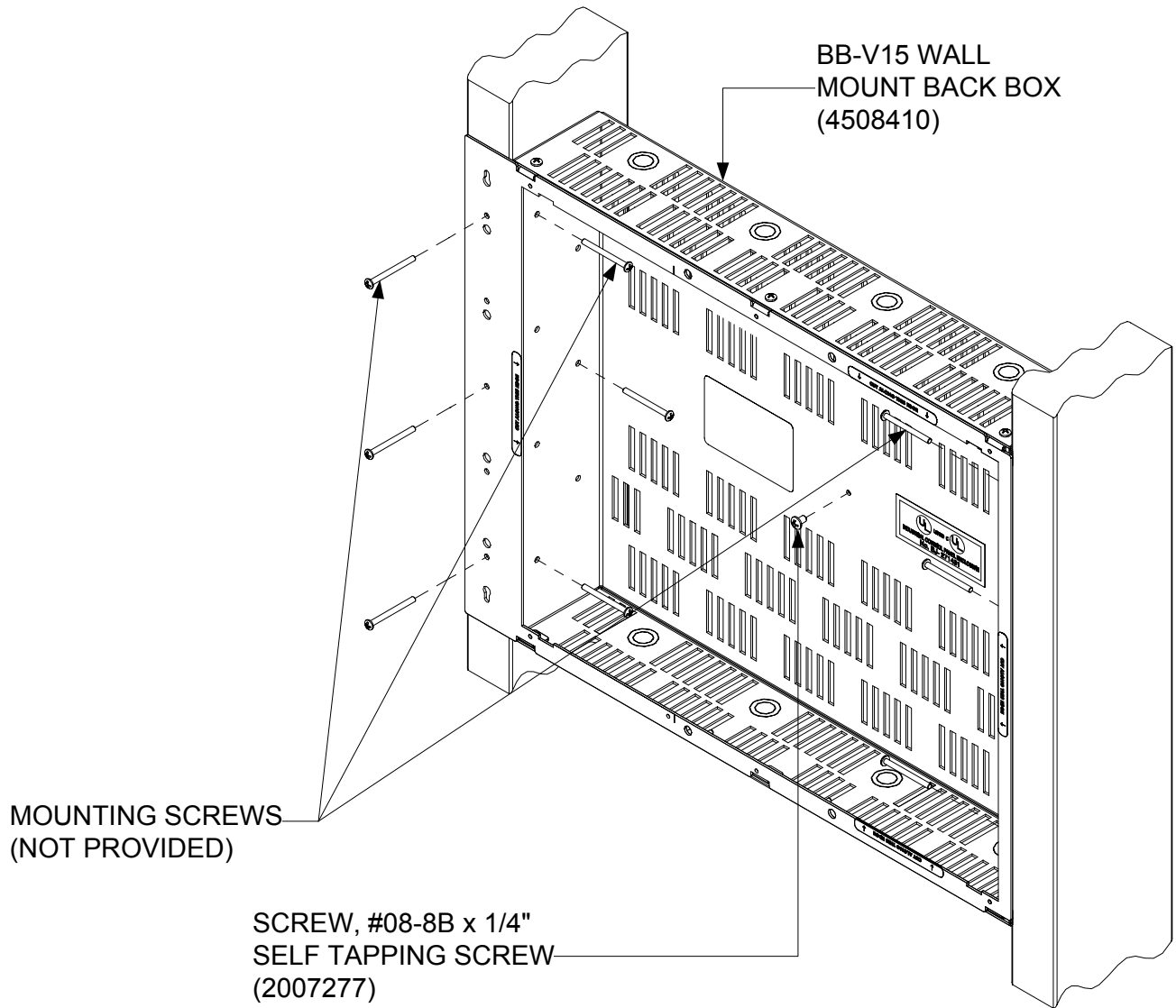
Framing the BB-V15



2. Position the symmetrical back box against the stud so the extended edge of the mounting plate covers the front edge of the stud. Be sure the side of the back box is also against the side of the stud.
3. Use the level and verify the back box is horizontal. Leveling must be done before proceeding.
4. Attach the back box to the left and right stud with standard drywall screws or nails (not included). Refer to the illustration on below.
5. Feed wires through knockout holes.

NOTE: This assembly should use Class 2 wiring only.

Mounting the Back Box

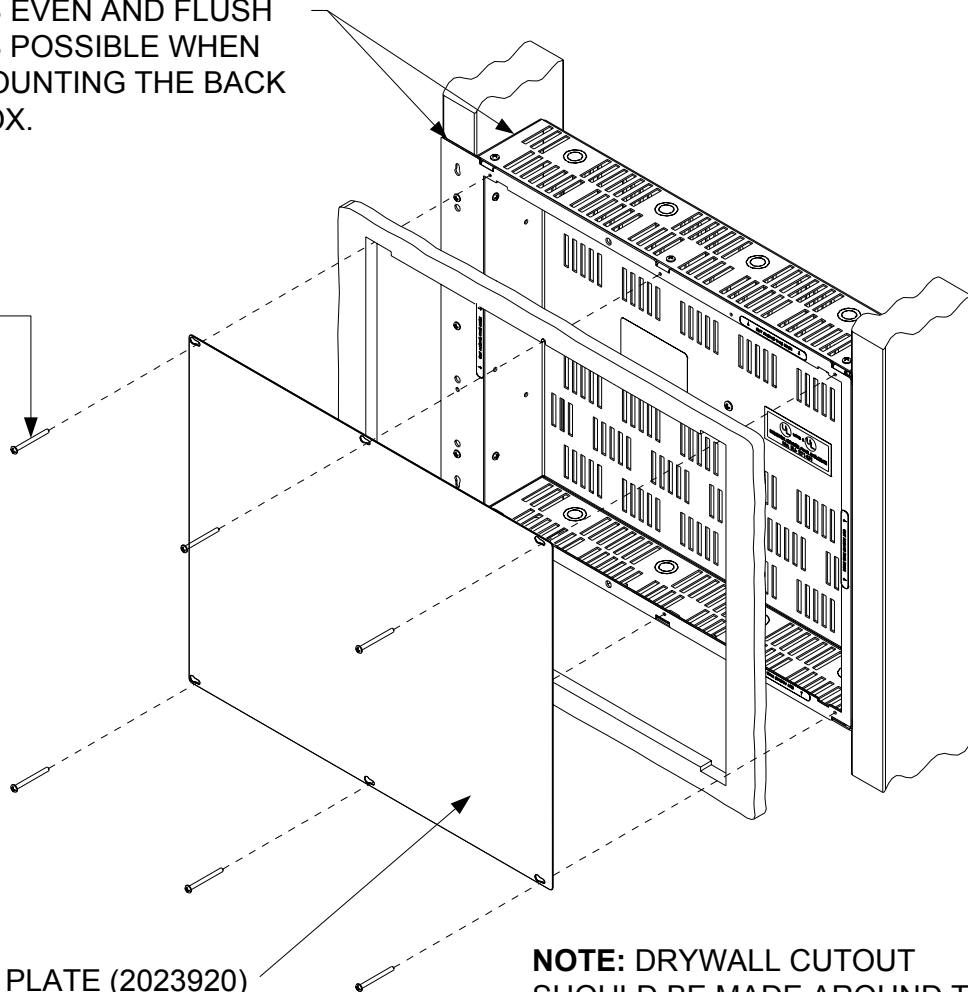


NOTE: BE SURE THE ASSEMBLY IS LEVEL WHEN MOUNTED.

Mounted View with Cover Plate

ENSURE THAT THESE TWO SURFACES ARE AS EVEN AND FLUSH AS POSSIBLE WHEN MOUNTING THE BACK BOX.

SCREWS (6)
#06-32 x 1 1/2"
(2007254)



METAL COVER PLATE (2023920)
USE TO COVER CUTOUT IN DRYWALL BEFORE TOUCHPANEL IS INSTALLED (MAY BE REQUIRED BY LOCAL BUILDING CODES).

NOTE: DRYWALL CUTOUT SHOULD BE MADE AROUND THE INSIDE OF THE BACK BOX PLATE OPENING. BE SURE TO LEAVE THE SIX TAPPED HOLES ON THE FRONT OF THE BACK BOX EXPOSED TO ACCEPT THE MOUNTING SCREWS.

NOTE: Cut the drywall along the inside edge of the front of the back box. The labels on the front of the back box indicate the perimeter of the opening that should be cutout. Refer to the **NOTE** in “Mounting the Back Box” shown on previous page.

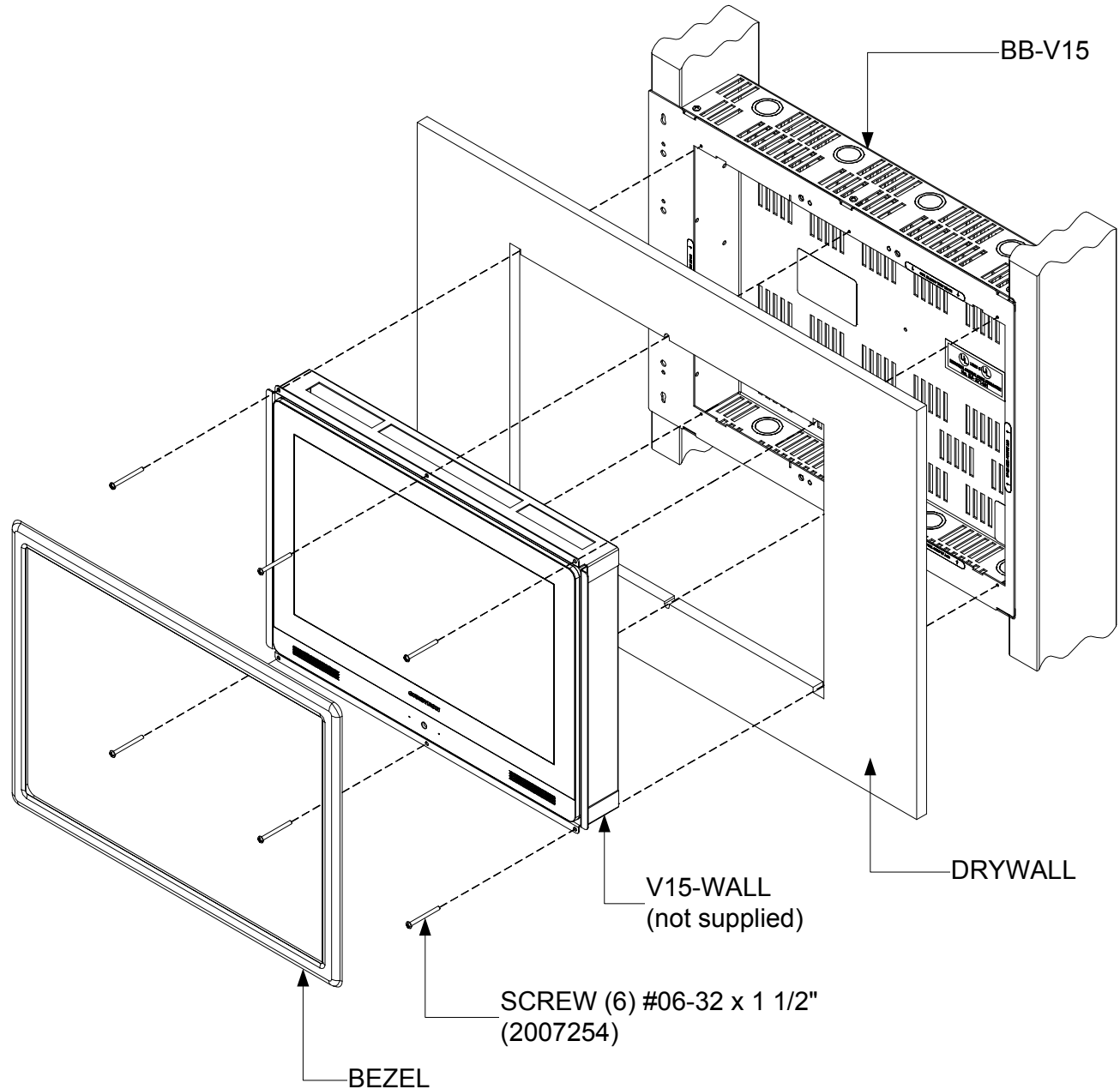
NOTE: The six tapped holes on the front of the back box must be exposed to accept the touchpanel mounting screws. These holes are found along the top and bottom of the opening made by cutting out the drywall. Refer to the **NOTE** in “Mounted View with Cover Plate” shown above.

Touchpanel Installation

Complete the installation by either installing the touchpanel, leaving the hole open (if permitted by local building codes) or installing the optional cover plate with the included #06-32 x 1 1/2" screws, as shown in the illustration on the previous page.

If the touchpanel is to be installed, refer to the latest revision of the V15-WALL and WMKC-V15 Installation Guide (Doc. 6884) for installation instructions. These documents are available from the Crestron website (www.crestron.com/manuals). Refer also to the following comprehensive illustration.

V15-WALL Mounting – Exploded View



Other Mounting Option Accessories

If too much of the mounting plate is exposed after the drywall is cut, you may need to patch the area. Crestron provides the following accessories:

- MMK-V15 (Doc. 6885) - for larger repairs and to fill in larger irregularities around the opening (requires plastering).
- WMKT-V15 (Doc. 6803) – for smaller repairs and to provide a smooth edge at the opening. This option provides a finished appearance and is preferred when wallpaper is hung.

The manuals for the MMK-V15 and WMKT-V15 are available from the Crestron website.

Resources

Reference Documents

The latest version of all documents mentioned within the guide can be obtained from the Crestron website (www.crestron.com/manuals). This link will provide a list of product manuals arranged in alphabetical order by model number.

List of Related Reference Documents

DOCUMENT TITLE
MMK-V15 and WMKM-V15 Mud Mount Kits
V15-WALL and WMKC-V15 Wall Mount & Chassis Wall Mount Kit for V15
WMKT-V15 Trim Ring Mount Kit

Further Inquiries

If you cannot locate specific information or have questions after reviewing this guide, please take advantage of Crestron's award winning customer service team by calling Crestron at 1-888-CRESTRON [1-888-273-7876].

You can also log onto the online help section of the Crestron website (www.crestron.com/onlinehelp) to ask questions about Crestron products. First-time users will need to establish a user account to fully benefit from all available features.

Future Updates

As Crestron improves functions, adds new features and extends the capabilities of the BB-V15, additional information may be made available as manual updates. These updates are solely electronic and serve as intermediary supplements prior to the release of a complete technical documentation revision.

Check the Crestron website periodically for manual update availability and its relevance. Updates are identified as an “Addendum” in the Download column.

Return and Warranty Policies

Merchandise Returns / Repair Service

1. No merchandise may be returned for credit, exchange or service without prior authorization from CRESTRON. To obtain warranty service for CRESTRON products, contact an authorized CRESTRON dealer. Only authorized CRESTRON dealers may contact the factory and request an RMA (Return Merchandise Authorization) number. Enclose a note specifying the nature of the problem, name and phone number of contact person, RMA number and return address.
2. Products may be returned for credit, exchange or service with a CRESTRON Return Merchandise Authorization (RMA) number. Authorized returns must be shipped freight prepaid to CRESTRON, 6 Volvo Drive, Rockleigh, N.J. or its authorized subsidiaries, with RMA number clearly marked on the outside of all cartons. Shipments arriving freight collect or without an RMA number shall be subject to refusal. CRESTRON reserves the right in its sole and absolute discretion to charge a 15% restocking fee plus shipping costs on any products returned with an RMA.
3. Return freight charges following repair of items under warranty shall be paid by CRESTRON, shipping by standard ground carrier. In the event repairs are found to be non-warranty, return freight costs shall be paid by the purchaser.

CRESTRON Limited Warranty

CRESTRON ELECTRONICS, Inc. warrants its products to be free from manufacturing defects in materials and workmanship under normal use for a period of three (3) years from the date of purchase from CRESTRON, with the following exceptions: disk drives and any other moving or rotating mechanical parts, pan/tilt heads and power supplies are covered for a period of one (1) year; touchscreen display and overlay components are covered for 90 days; batteries and incandescent lamps are not covered.

This warranty extends to products purchased directly from CRESTRON or an authorized CRESTRON dealer. Purchasers should inquire of the dealer regarding the nature and extent of the dealer's warranty, if any.

CRESTRON shall not be liable to honor the terms of this warranty if the product has been used in any application other than that for which it was intended or if it has been subjected to misuse, accidental damage, modification or improper installation procedures. Furthermore, this warranty does not cover any product that has had the serial number altered, defaced or removed.

This warranty shall be the sole and exclusive remedy to the original purchaser. In no event shall CRESTRON be liable for incidental or consequential damages of any kind (property or economic damages inclusive) arising from the sale or use of this equipment. CRESTRON is not liable for any claim made by a third party or made by the purchaser for a third party.

CRESTRON shall, at its option, repair or replace any product found defective, without charge for parts or labor. Repaired or replaced equipment and parts supplied under this warranty shall be covered only by the unexpired portion of the warranty.

Except as expressly set forth in this warranty, CRESTRON makes no other warranties, expressed or implied, nor authorizes any other party to offer any warranty, including any implied warranties of merchantability or fitness for a particular purpose. Any implied warranties that may be imposed by law are limited to the terms of this limited warranty. This warranty statement supersedes all previous warranties.

Trademark Information

All brand names, product names and trademarks are the sole property of their respective owners. Windows is a registered trademark of Microsoft Corporation. Windows95/98/Me/XP/Vista and WindowsNT/2000 are trademarks of Microsoft Corporation.

This page is intentionally left blank.

This page is intentionally left blank.

This page is intentionally left blank.



Crestron Electronics, Inc.
15 Volvo Drive Rockleigh, NJ 07647
Tel: 888.CRESTRON
Fax: 201.767.7576
www.crestron.com

Installation Guide – DOC. 6801A
(2024029)
10.09
Specifications subject to
change without notice.