

Crestron **TMK-2000L & WMKT-2000L** Trim Ring Mount Kits

Installation Guide



This document was prepared and written by the Technical Documentation department at:



Creston Electronics, Inc.
15 Volvo Drive
Rockleigh, NJ 07647
1-888-CRESTRON

Trim Ring Mount Kits: TMK-2000L & WMKT-2000L

Description

Trim Ring Mount Kits are the preferred mounting option for the Crestron Isys[®] TPS-2000L, compact video touchpanel when a finished appearance within a neatly trimmed cutout is required. This application is perfect for wallpapering.

There are two Trim Ring Mount Kits. The TMK-2000L is a pre-construction accessory. Pre-construction refers to framed walls prior to hanging drywall. This accessory is designed be used with the Pre-Construction Mount Kit (PMK-2000L) or Back Box Kit (BB-2000L).

The WMKT-2000L is a post-construction kit. Post-construction refers to framed walls with drywall hung. This accessory is designed with a mounting plate so that it can be placed anywhere on a wall without the support from a stud.

NOTE: If necessary, consult the latest revision of the TPS-2000L Operations Guide (Doc. 5972) for a complete list of mounting options.

Supplied Hardware

Both Trim Ring Mount Kits contain a trim plate. The WMKT-2000L also contains a mounting plate, which is the item that provides the necessary support for post-construction applications.

Installation

This section provides an installation procedure for each Trim Ring Mount Kit. The procedure for the TMK-2000L starts on the next page and the “WMKT-2000L Procedure” starts on page 3.

TMK-2000L Procedure

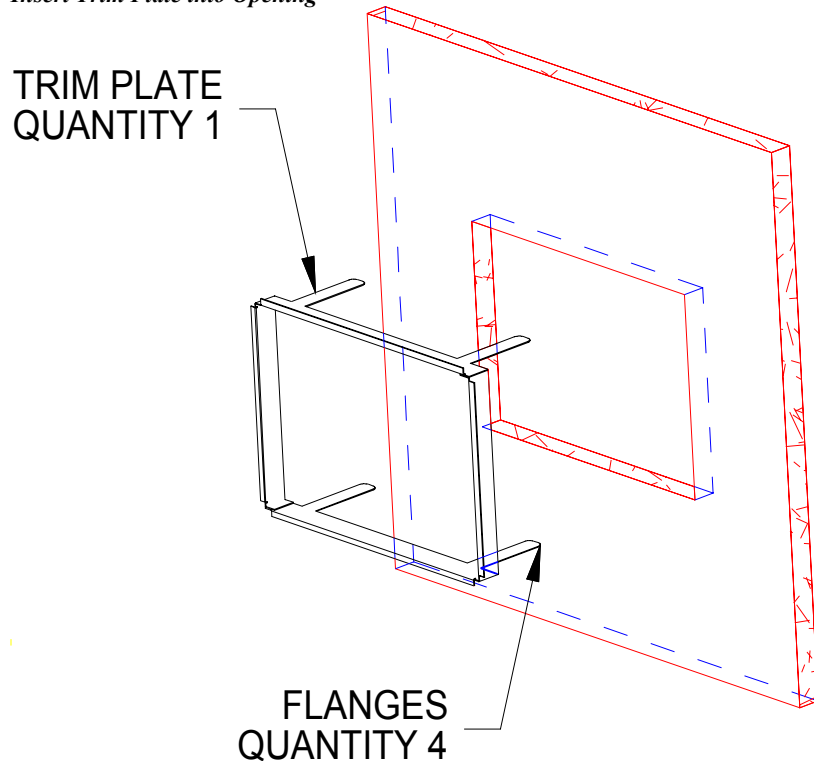
The procedure in this section provides the necessary steps for the assembly of the TMK-2000L to either the PMK-2000L or BB-2000L. It is assumed that the PMK-2000L or BB-2000L has been secured to the stud according to the procedures in the latest revisions of their respective Installation Guides (Doc. 6018 and Doc. 5973, respectively). Also, it is assumed that drywall is in place and a rectangular cutout for the touchpanel is made in the drywall (measuring $6\frac{3}{8}$ inches wide (16.159 cm) x $4\frac{7}{16}$ inches high (11.283 cm)).

Complete the steps in the order provided. The only tool required and not supplied is a level.

NOTE: When installing into the PMK-2000L, verify that the 18 AWG bus wire securing the cables for the touchpanel remain attached.

1. Verify that the rectangular cutout in the drywall measures $6\frac{3}{8}$ inches wide (16.159 cm) x $4\frac{7}{16}$ inches high (11.283 cm) and is level.
2. Insert the symmetrical trim plate into the opening, as shown in the illustration after this step.

Insert Trim Plate into Opening



3. When the trim plate is in position, bend the top two flanges of the plate upward (approximately 90 degrees) and the bottom two flanges downward (approximately 90 degrees).

4. The TPS-2000L can be installed using the four tapped holes in the PMK-2000L or BB-2000L. Refer to the latest revision of the TPS-2000L Operations Guide (Doc. 5972) for details.

WMKT-2000L Procedure

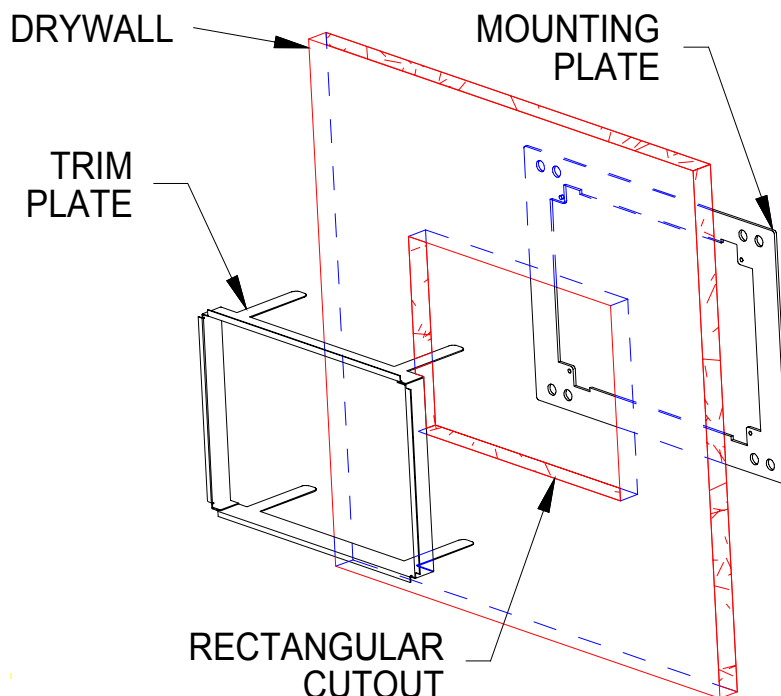
The procedure in this section provides the necessary steps for installation of the WMKT-2000L into a wall. Complete the steps in the order provided. The only tools or materials required and not supplied are a drywall saw or equivalent and a level.

1. Locate an area on the wall that is free of miscellaneous wiring and studs.
2. Make a small hole near the middle of the designated site; verify that the location is suitable.

NOTE: Make the cutout as level and smooth as possible. The mounting plate allows for only minor leveling adjustments. If a larger cutout is accidentally made, consider purchasing the Crestron Mud Mount Kit, MMK-2000L. It and the mounting plate supplied with the WMKT-2000L provide a cost-effective means of correction. Essentially, The combination of these two kits makes up the Crestron Mud Mount Kit for the Wall, WMKM-2000L. Simply follow the “WMKM-2000L Procedure” in the latest revision of the Mud Mount Kits Installation Guide (Doc. 6025).

3. Use the drywall saw or equivalent to produce a level, rectangular cutout in the drywall that measures $6 \frac{3}{8}$ inches wide (16.159 cm) x $4 \frac{7}{16}$ inches high (11.283 cm).
4. Insert the symmetrical trim plate into the opening, as shown in the illustration after this step.

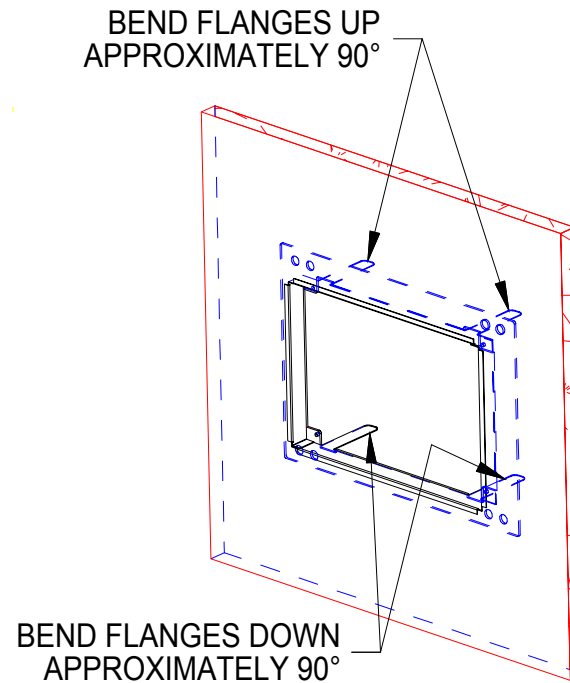
Insert the Trim Plate into the Opening



5. Carefully pass the mounting plate through the opening and rest it against the interior surface of the drywall.
6. When the mounting plate is in position, bend the top two flanges of the trim plate upward (approximately 90 degrees) and the bottom two flanges downward (approximately 90 degrees). Refer to the illustration after this step.

NOTE: The mounting plate will have slight play; this is normal. It allows for minor adjustments to the TPS-2000L during installation.

Bend Flanges



7. Run the necessary cables for the touchpanel and secure them behind the drywall.
8. The TPS-2000L can be installed using the four tapped holes in the mounting plate. Refer to the latest revision of the TPS-2000L Operations Guide (Doc. 5972) for details.

Further Inquiries

If after reviewing this Installation Guide, you cannot locate specific information or have questions, please take advantage of Crestron's award winning customer service team by calling:

- In the US and Canada, call Crestron's corporate headquarters at 1-888-CRESTRON [1-888-273-7876].
- In Europe, call Crestron International at +32-15-50-99-50.
- In Asia, call Crestron Asia at +852-2341-2016.
- In Latin America, call Crestron Latin America at +5255-5093-2160.
- In Australia and New Zealand, call Crestron Control Solutions at +61-2-9737-8203.

As of the date of manufacture, the MMK-2000L and WMKM-2000L have been tested and found to comply with specifications for CE marking.



Future Updates

As Crestron improves functions, adds new features, and extends the capabilities of the TMK-2000L or WMKT-2000L, additional information may be made available as manual updates. These updates are solely electronic and serve as intermediary supplements prior to the release of a complete technical documentation revision.

The Downloads page of the Crestron website (www.crestron.com) directs the reader to the location and description of each update. Check the site periodically for update availability and its relevance.

This page intentionally left blank.

This page intentionally left blank.

This page intentionally left blank.

Return and Warranty Policies

Merchandise Returns / Repair Service

1. No merchandise may be returned for credit, exchange, or service without prior authorization from CRESTRON. To obtain warranty service for CRESTRON products, contact the factory and request an RMA (Return Merchandise Authorization) number. Enclose a note specifying the nature of the problem, name and phone number of contact person, RMA number, and return address.
2. Products may be returned for credit, exchange, or service with a CRESTRON Return Merchandise Authorization (RMA) number. Authorized returns must be shipped freight prepaid to CRESTRON, 6 Volvo Drive, Rockleigh, N.J., or its authorized subsidiaries, with RMA number clearly marked on the outside of all cartons. Shipments arriving freight collect or without an RMA number shall be subject to refusal. CRESTRON reserves the right in its sole and absolute discretion to charge a 15% restocking fee, plus shipping costs, on any products returned with an RMA.
3. Return freight charges following repair of items under warranty shall be paid by CRESTRON, shipping by standard ground carrier. In the event repairs are found to be non-warranty, return freight costs shall be paid by the purchaser.

CRESTRON Limited Warranty

CRESTRON ELECTRONICS, Inc. warrants its products to be free from manufacturing defects in materials and workmanship under normal use for a period of three (3) years from the date of purchase from CRESTRON, with the following exceptions: disk drives and any other moving or rotating mechanical parts, pan/tilt heads and power supplies are covered for a period of one (1) year; touchscreen display and overlay components are covered for 90 days; batteries and incandescent lamps are not covered.

This warranty extends to products purchased directly from CRESTRON or an authorized CRESTRON dealer. Purchasers should inquire of the dealer regarding the nature and extent of the dealer's warranty, if any.

CRESTRON shall not be liable to honor the terms of this warranty if the product has been used in any application other than that for which it was intended, or if it has been subjected to misuse, accidental damage, modification, or improper installation procedures. Furthermore, this warranty does not cover any product that has had the serial number altered, defaced, or removed.

This warranty shall be the sole and exclusive remedy to the original purchaser. In no event shall CRESTRON be liable for incidental or consequential damages of any kind (property or economic damages inclusive) arising from the sale or use of this equipment. CRESTRON is not liable for any claim made by a third party or made by the purchaser for a third party.

CRESTRON shall, at its option, repair or replace any product found defective, without charge for parts or labor. Repaired or replaced equipment and parts supplied under this warranty shall be covered only by the unexpired portion of the warranty.

Except as expressly set forth in this warranty, CRESTRON makes no other warranties, expressed or implied, nor authorizes any other party to offer any warranty, including any implied warranties of merchantability or fitness for a particular purpose. Any implied warranties that may be imposed by law are limited to the terms of this limited warranty. This warranty statement supercedes all previous warranties.

Trademark Information

All brand names, product names, and trademarks are the sole property of their respective owners. Windows is a registered trademark of Microsoft Corporation. Windows95/98/Me/XP and WindowsNT/2000 are trademarks of Microsoft Corporation.



Crestron Electronics, Inc.
15 Volvo Drive Rockleigh, NJ 07647
Tel: 888.CRESTRON
Fax: 201.767.7576
www.crestron.com

Installation Guide – DOC. 6026
02.02

Specifications subject to
change without notice.