

Crestron **BB-IDOCV-DSW**  
Wall Mount Back Box for  
**CEN-IDOCV-DSW**  

---

Installation Guide



# Contents

<b>Wall Mount Back Box for CEN-IDOCV-DSW: BB-IDOCV-DSW</b>	<b>1</b>
Description.....	1
Setup.....	4
Mounting.....	4
CEN-IDOCV-DSW Installation.....	5
Resources.....	7
Reference Documents.....	7
Further Inquiries.....	7
Future Updates.....	7
Return and Warranty Policies.....	8
Merchandise Returns / Repair Service.....	8
CRESTRON Limited Warranty.....	8

## Industry Compliance

This product is Listed to applicable UL Standards and requirements by Underwriters Laboratories Inc.



As of the date of manufacture, the BB-IDOCV-DSW has been tested and found to comply with specifications for CE marking and standards per EMC and Radiocommunications Compliance Labelling.



# Wall Mount Back Box for CEN-IDOCV-DSW: BB-IDOCV-DSW

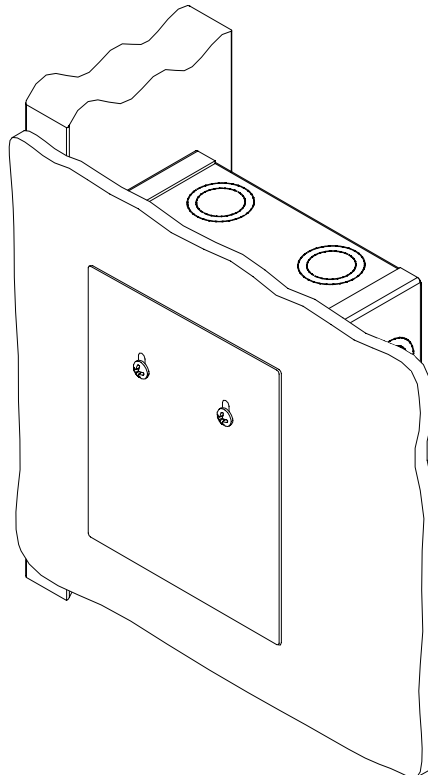
---

## Description

The BB-IDOCV-DSW is a UL-listed pre-construction mounting option for the Crestron® CEN-IDOCV-DSW Wall Mount Interface for Apple® iPod®. It is designed to be installed before the drywall is put up.

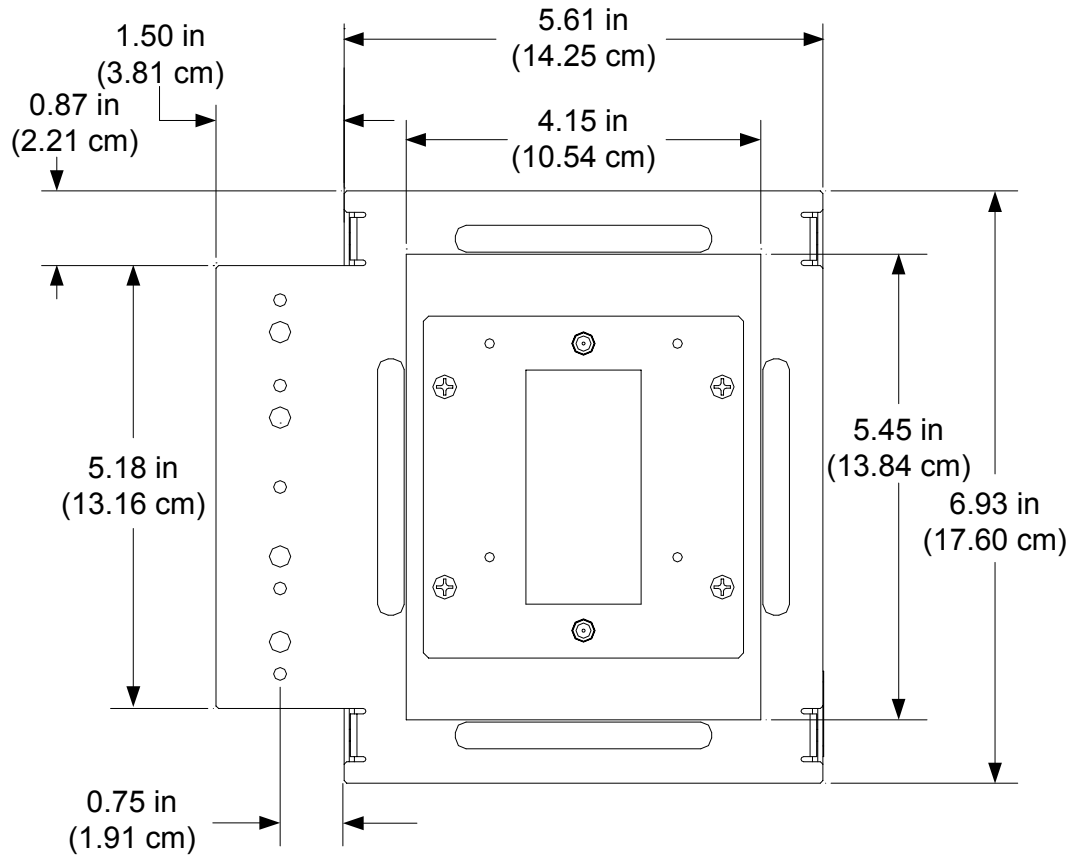
The mounted view of the BB-IDOCV-DSW is shown in the illustration below.

*BB-IDOCV-DSW Mounted View (Optional Cover Plate Attached)*

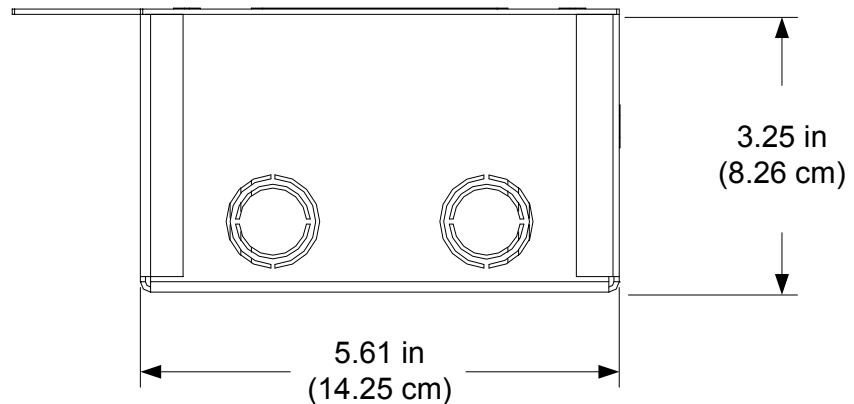


The dimensions of the BB-IDOCV-DSW are shown below and on the next page.

**BB-IDOCV-DSW Overall Dimensions (Front View)**

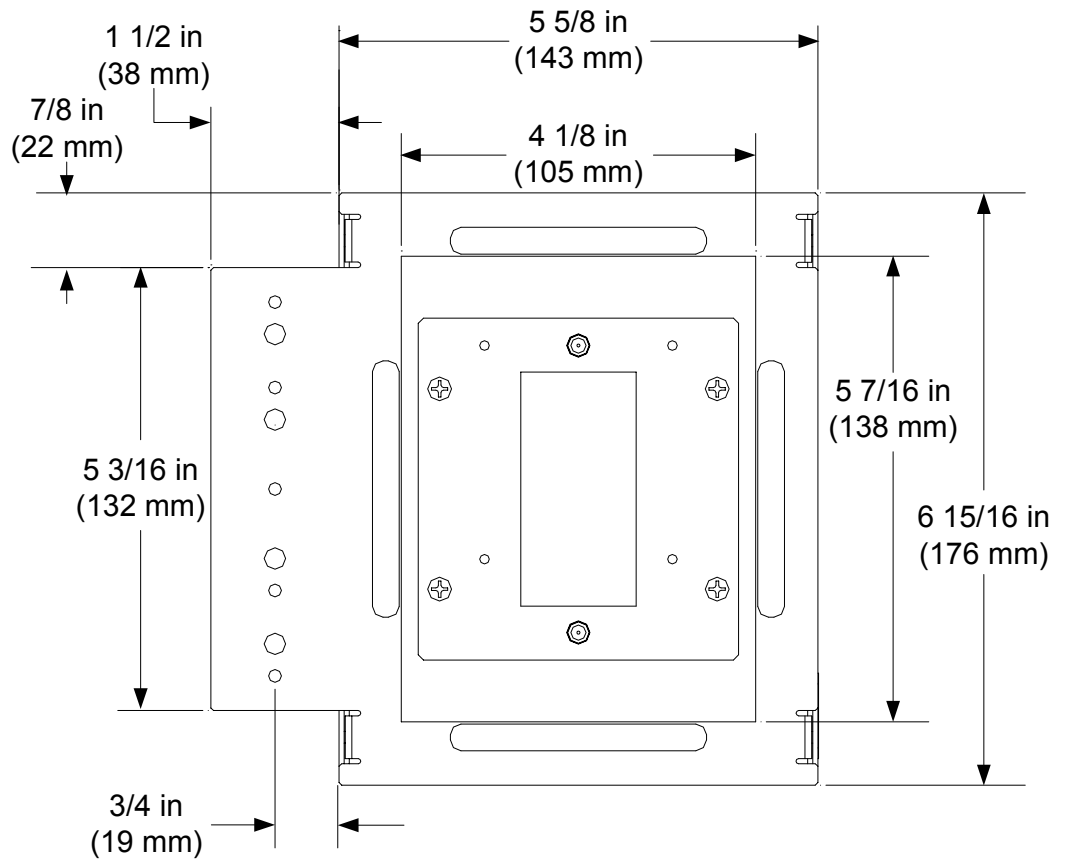


**BB-IDOCV-DSW Overall Dimensions (Bottom View)**

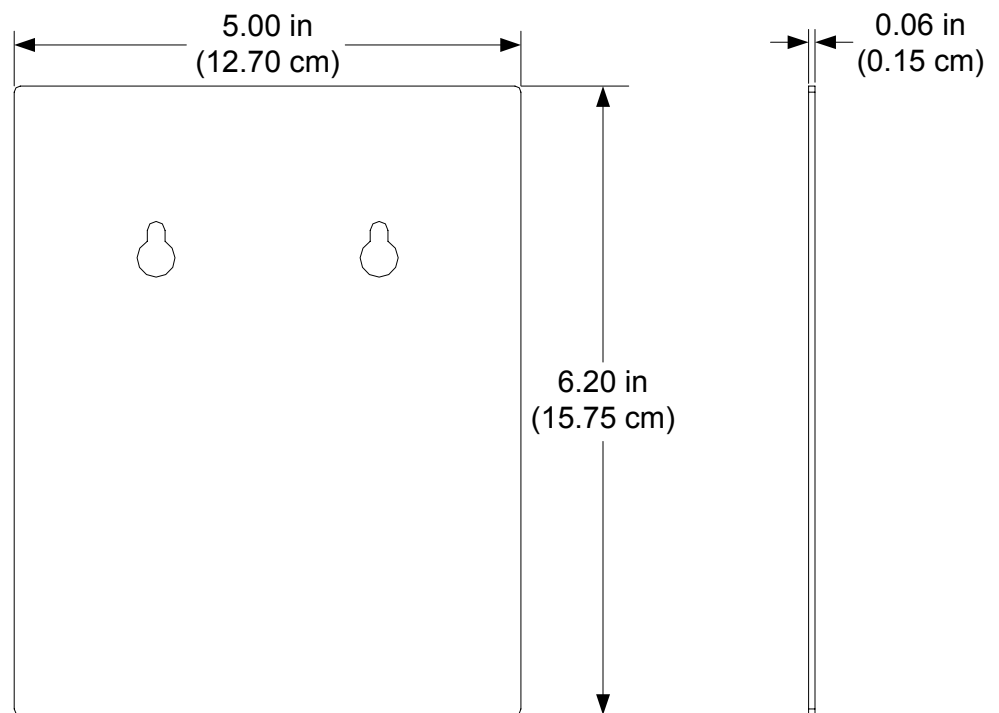


**NOTE:** Knockout holes are intended for Class 2 wiring only and are 1/2" and 3/4" diameter. Low-voltage fittings (not supplied) should be used to protect wiring when fed through the knockout holes.

*BB-IDOCV-DSW Overall Dimensions (Front View)*



*Cover Plate Overall Dimensions*



---

## Setup

### Mounting

**Required Tools and Materials (not included):**

- #2 Phillips tip screwdriver or hammer
- Level
- Standard drywall screws or nails

---

**NOTE:** If your installation is not on wooden studs, be sure to consider the needs of your particular situation. For example, screw type may vary for steel studs, etc.

**NOTE:** Take extra precautions to ensure the drywall cutout is minimal and accurate. To minimize the device size on the wall, the bezel overhang is relatively small. Extra care must be taken when creating the opening.

---

Complete the following procedure to mount the back box (refer to the illustration on the next page).

1. Position the back box against the right side of the stud so that the extended edge of the back box covers the front edge of the stud. Be sure that the side of the back box is also against the side of the stud.

---

**NOTE:** If mounting to the left side of a stud, the back box must be turned over so that the extended edge of the back box is on the right side. The interior mounting plate must be removed, rotated 180 degrees, and reattached to ensure that the **TOP** sticker on the inside of the back box is properly oriented.

---

2. Use the level and verify that the back box is horizontal. Leveling must be done before proceeding.
3. Attach the back box to the left or right side of the stud with standard drywall screws or nails (not included).

---

**NOTE:** Minor leveling adjustments can be made to the back box while it is attached to the stud (before drywall is hung). To make a small adjustment loosen the drywall screws or nails and then adjust the back box so that it is horizontal. To finish, tighten the drywall screws or set nails.

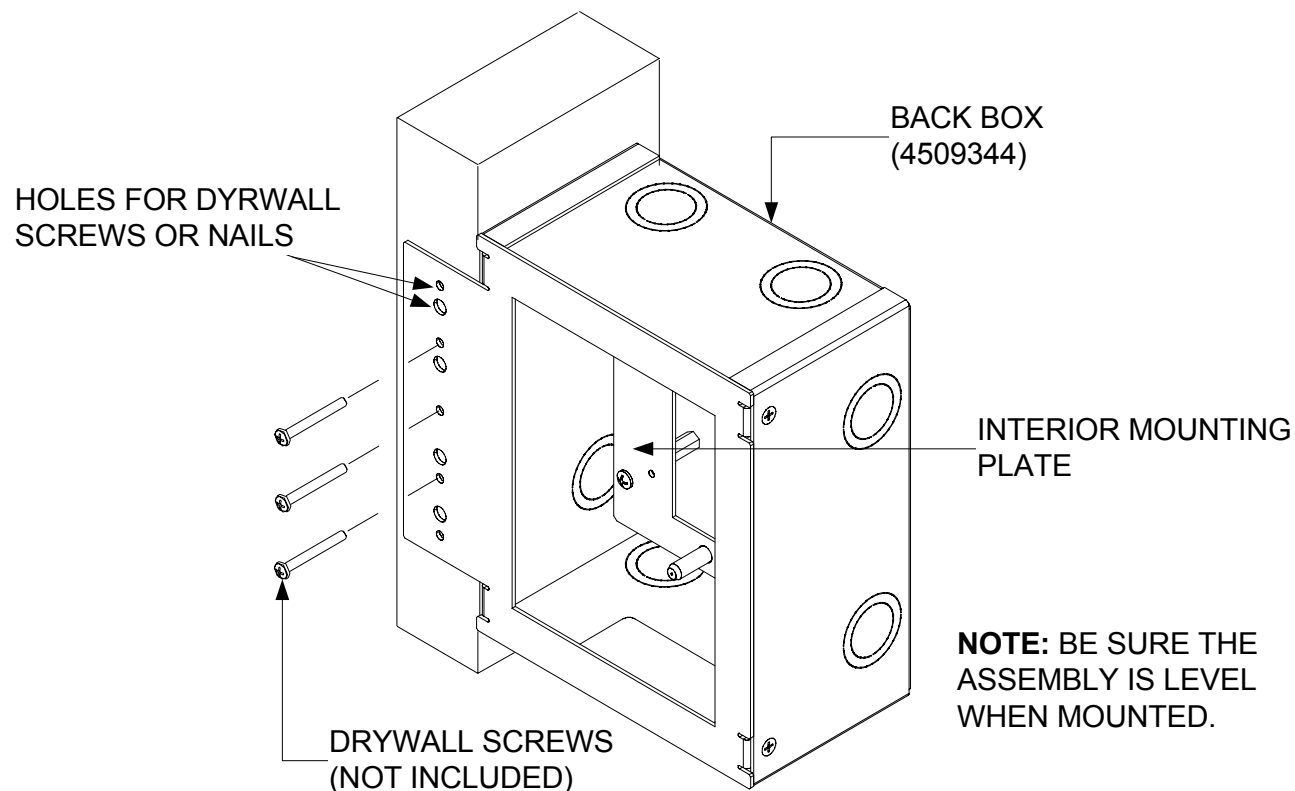
---

4. Feed wires through a knock out hole in the back box. Continue feeding the wires behind the interior mounting plate of the back box and then through the rectangular cutout in the interior mounting plate. The wires can be secured to the back box with a tie wrap (optional, not supplied) to prevent wires from becoming damaged when creating the opening in the drywall or paneling.

---

**NOTE:** This assembly should use Class 2 wiring only.

---

*Mounting the Back Box*

---

**NOTE:** Cut the drywall along the inside edge of the front of the back box. The labels on the front of the back box indicate the perimeter of the opening that should be cutout.

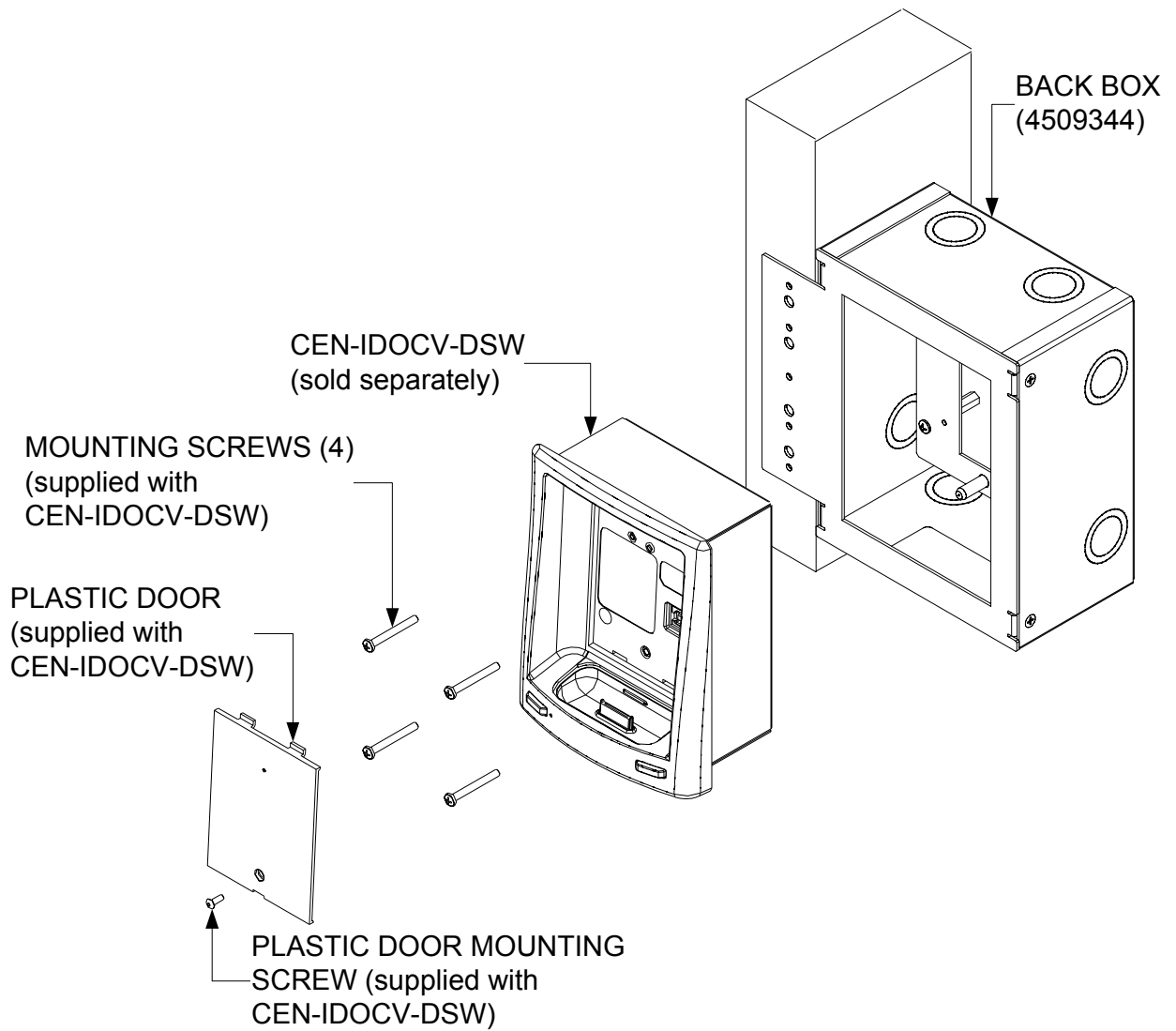
**NOTE:** Drywall cutout should be made neat and accurate and around the inside of the back box opening.

---

## CEN-IDOCV-DSW Installation

Complete the installation by either installing the CEN-IDOCV-DSW, leaving the hole open (if permitted by local building codes) or installing the optional cover plate with the included #06-32 screws. If the CEN-IDOCV-DSW is to be installed, refer to the latest revision of the CEN-IDOCV-DSW Operations & Installation Guide (Doc. 6827) for installation instructions. This document is available from the Crestron website ([www.crestron.com/manuals](http://www.crestron.com/manuals)). Refer also to the comprehensive illustration on the following page.

*CEN-IDOCV-DSW Mounting – Exploded View*





---

## Resources

### Reference Documents

The latest version of all documents mentioned within the guide can be obtained from the Crestron website ([www.crestron.com/manuals](http://www.crestron.com/manuals)). This link will provide a list of product manuals arranged in alphabetical order by model number.

#### *List of Related Reference Documents*

DOCUMENT TITLE
CEN-IDOCV-DSW Wall Mount Interface for Apple® iPod®

### Further Inquiries

If you cannot locate specific information or have questions after reviewing this guide, please take advantage of Crestron's award winning customer service team by calling Crestron at 1-888-CRESTRON [1-888-273-7876].

You can also log onto the online help section of the Crestron website ([www.crestron.com/onlinehelp](http://www.crestron.com/onlinehelp)) to ask questions about Crestron products. First-time users will need to establish a user account to fully benefit from all available features.

### Future Updates

As Crestron improves functions, adds new features and extends the capabilities of the BB-IDOCV-DSW, additional information may be made available as manual updates. These updates are solely electronic and serve as intermediary supplements prior to the release of a complete technical documentation revision.

Check the Crestron website periodically for manual update availability and its relevance. Updates are identified as an “Addendum” in the Download column.

---

## Return and Warranty Policies

### Merchandise Returns / Repair Service

1. No merchandise may be returned for credit, exchange or service without prior authorization from CRESTRON. To obtain warranty service for CRESTRON products, contact an authorized CRESTRON dealer. Only authorized CRESTRON dealers may contact the factory and request an RMA (Return Merchandise Authorization) number. Enclose a note specifying the nature of the problem, name and phone number of contact person, RMA number and return address.
2. Products may be returned for credit, exchange or service with a CRESTRON Return Merchandise Authorization (RMA) number. Authorized returns must be shipped freight prepaid to CRESTRON, 6 Volvo Drive, Rockleigh, N.J. or its authorized subsidiaries, with RMA number clearly marked on the outside of all cartons. Shipments arriving freight collect or without an RMA number shall be subject to refusal. CRESTRON reserves the right in its sole and absolute discretion to charge a 15% restocking fee plus shipping costs on any products returned with an RMA.
3. Return freight charges following repair of items under warranty shall be paid by CRESTRON, shipping by standard ground carrier. In the event repairs are found to be non-warranty, return freight costs shall be paid by the purchaser.

### CRESTRON Limited Warranty

CRESTRON ELECTRONICS, Inc. warrants its products to be free from manufacturing defects in materials and workmanship under normal use for a period of three (3) years from the date of purchase from CRESTRON, with the following exceptions: disk drives and any other moving or rotating mechanical parts, pan/tilt heads and power supplies are covered for a period of one (1) year; touchscreen display and overlay components are covered for 90 days; batteries and incandescent lamps are not covered.

This warranty extends to products purchased directly from CRESTRON or an authorized CRESTRON dealer. Purchasers should inquire of the dealer regarding the nature and extent of the dealer's warranty, if any.

CRESTRON shall not be liable to honor the terms of this warranty if the product has been used in any application other than that for which it was intended or if it has been subjected to misuse, accidental damage, modification or improper installation procedures. Furthermore, this warranty does not cover any product that has had the serial number altered, defaced or removed.

This warranty shall be the sole and exclusive remedy to the original purchaser. In no event shall CRESTRON be liable for incidental or consequential damages of any kind (property or economic damages inclusive) arising from the sale or use of this equipment. CRESTRON is not liable for any claim made by a third party or made by the purchaser for a third party.

CRESTRON shall, at its option, repair or replace any product found defective, without charge for parts or labor. Repaired or replaced equipment and parts supplied under this warranty shall be covered only by the unexpired portion of the warranty.

Except as expressly set forth in this warranty, CRESTRON makes no other warranties, expressed or implied, nor authorizes any other party to offer any warranty, including any implied warranties of merchantability or fitness for a particular purpose. Any implied warranties that may be imposed by law are limited to the terms of this limited warranty. This warranty statement supersedes all previous warranties.

#### Trademark Information

*All brand names, product names and trademarks are the sole property of their respective owners. Windows is a registered trademark of Microsoft Corporation. Windows95/98/Me/XP/Vista and WindowsNT/2000 are trademarks of Microsoft Corporation.*

This page is intentionally left blank.



**Crestron Electronics, Inc.**  
15 Volvo Drive Rockleigh, NJ 07647  
Tel: 888.CRESTRON  
Fax: 201.767.7576  
[www.crestron.com](http://www.crestron.com)

**Installation Guide – DOC. 6829A**  
**(2025044)**  
**07.09**  
Specifications subject to  
change without notice.