

CEN-WAP-ABG-1G

Wall Mount 802.11 a/b/g Wireless Access Point

- > Crestron Wi-Fi wireless access point
- > Supports 802.11a, 802.11b, and 802.11g protocols
- > Attractive flush wall-mount design
- > One-wire hookup using Power over Ethernet
- > Enables easy touch screen connection in seconds
- > Web browser based configuration and management
- > WEP, WPA and WPA2 with TKIP & AES security
- > Built-in DHCP server
- > Onboard event logging
- > SNMP and uPnP configuration and management
- > Bridge mode for wireless LAN-to-LAN capability
- > Ethernet control system interface
- > Front panel LAN pass-thru port
- > Antenna extendable using optional ANT-EXT

The CEN-WAP-ABG-1G Wireless Access Point enables Wi-Fi wireless communication for Crestron® Wi-Fi touch screens, control systems, computers, and other devices. With 802.11 a, b, and g support, easy setup, flush-mount installation, and comprehensive security and management capabilities, the CEN-WAP-ABG-1G delivers an ideal wireless access point solution for any application.

Professional Installation

The CEN-WAP-ABG-1G mounts conveniently in a standard 1-gang plaster ring or wall box for a clean, professional installation. Its textured white finish matches perfectly with popular off-the-shelf faceplates. Rack mounting is also possible using a third-party rackmount panel.^[1]

Single-Wire Hookup

PoE (Power over Ethernet) powers the CEN-WAP-ABG-1G right through the LAN wiring, eliminating the need for a separate wallwart power supply. A PoE Injector ([PWE-4803RU](#)^[2]) simply connects inline with the CAT5 cable, allowing for installation at a convenient location up to 328 ft (100 m) away from the wireless access point. Or, using a Crestron PoE switch ([CEN-SW-POE-5](#), [CEN-SWPOE-16](#), or [CEN-SWPOE-24](#)^[2]), multiple access points can be powered from a single centralized location, simplifying design and wiring.

No Configuration Required

Using the CEN-WAP-ABG-1G, a secure Wi-Fi touch screen connection can be made quickly and easily right out of the box. Each wireless access point ships with a unique network name and network key printed on a removable sticker right on the front of the unit. Entering this information into the touch screen is all that's required to complete the connection. Every network name and key are unique so multiple access points can be installed in the same vicinity without causing any connection problems.

Web Browser Management

For applications that require a more custom configuration, the CEN-WAP-ABG-1G features built-in browser-based management tools. From any Web browser, the easy setup wizard lets you simply select the



scenario, such as a standalone network or high-security environment, and applies the necessary configuration settings for you. Step-by-step instructions are provided for connecting any Crestron Wi-Fi touch screen to the network, with a display list included showing the status of all associated touch screens and other wireless clients. Beyond the wizard, there are more comprehensive configuration and security settings available for advanced users and system administrators.

Security

The CEN-WAP-ABG-1G supports up to 152-bit WEP encryption as well as the more advanced WPA and WPA2 authentication and encryption methods for a safe, secure wireless network in the home or office.

DHCP Server

The CEN-WAP-ABG-1G can assign IP addresses automatically to touch screens and other client devices using DHCP (Dynamic Host Configuration Protocol).

MAC Address Filtering

Unauthorized devices can be prevented from joining the wireless network, maximizing bandwidth for control and streaming AV signals to support only the touch screens, computers, and other devices that you specify.

Event Logging

To assist in troubleshooting, the CEN-WAP-ABG-1G keeps a history of the last 500 client connections, disconnections, and failure events, and includes helpful details such as the reason for a disconnect or failure.

Bridge Mode

This useful feature allows a CEN-WAP-ABG-1G to be used to add Wi-Fi wireless connectivity to any device with an Ethernet port, or to extend a LAN via a wireless link wherever a CAT5 wire can't be run.

CEN-WAP-ABG-1G Wall Mount 802.11a/b/g Wireless Access Point

Ethernet Pass-thru

An Ethernet port is available on the front of the CEN-WAP-ABG-1G, providing a convenient LAN connection for computers and touch screens. This port can be disabled via software if not required.

SPECIFICATIONS

Wireless

Transceiver: IEEE 802.11a/b/g Wi-Fi (5.8 or 2.4 GHz 2-way RF); 64, 128, & 152-bit WEP encryption; WPA & WAP2 with TKIP & AES

Transmit Power: Up to 19 dBm

Ethernet

10/100 Mbps, auto-switching, auto-negotiating, auto-discovery, full/half duplex, DHCP client and server, SNMP, IEEE 802.3af compliant

Controls & LED Indicators

LAN: (1) Green LED, indicates wired Ethernet activity and link status

Wi-Fi: (1) Green LED, indicates Wi-Fi activity and connection status

Reset: (1) Recessed miniature pushbutton for hardware reset

Connectors - Front Panel

Antenna: (1) Connection for supplied antenna

Network Pass-thru: (1) 8-wire RJ45, female, with 2 LED indicators;

10Base-T/100Base-TX Ethernet port, defeatable;

Green LED indicates link status and activity;

Amber LED indicates 100Base-T link status

Connectors - Rear Panel

NETWORK PoE: (1) 8-wire RJ45, female; 10Base-T/100Base-TX Ethernet port, Power over Ethernet compliant; Connects to LAN via a 802.3af compliant PoE power source

Power Requirements

Power over Ethernet: IEEE 802.3af Class 0 PoE Powered Device

Construction

Chassis: Plastic, white textured finish

Mounting: Mounts in a 1-gang or larger plaster ring (recommended) or electrical box (2.5 inch deep minimum)

Faceplate: Requires a decorator style faceplate (not included)

Environmental

Temperature: 32° to 104°F (0° to 40°C)

Humidity: 10% to 90% RH (non-condensing)

Heat Dissipation: 11 BTU/Hr

Dimensions

(Without antenna)

Height: 4.14 in (106 mm)

Width: 1.74 in (44 mm)

Depth: 2.87 in (73 mm)

Weight

4.7 oz (133 g)

MODELS & ACCESSORIES

Available Models

CEN-WAP-ABG-1G: Wall Mount 802.11a/b/g Wireless Access Point

CEN-WAP-ABG-POE-PWE: Wall Mount 802.11a/b/g Wireless Access Point w/PoE Injector

CEN-WAP-POE-PAK: Wall Mount 802.11a/b/g Wireless Access Point w/5-Port PoE Switch

Included Accessories

PWE-4803RU: PoE Injector [Qty. 1 included with CEN-WAP-ABG-POE-PWE]

CEN-SW-POE-5: 5-Port PoE Switch [Qty. 1 included with CEN-WAP-POE-PAK]

Available Accessories

ANT-EXT-5: 5 ft Antenna Extender

ANT-EXT-10: 10 ft Antenna Extender

PWE-4803RU: PoE Injector

CEN-SW-POE-5: 5-Port PoE Switch

CEN-SWPOE-16: 16-Port Managed PoE Switch

CEN-SWPOE-24: 24-Port Managed PoE Switch

Notes:

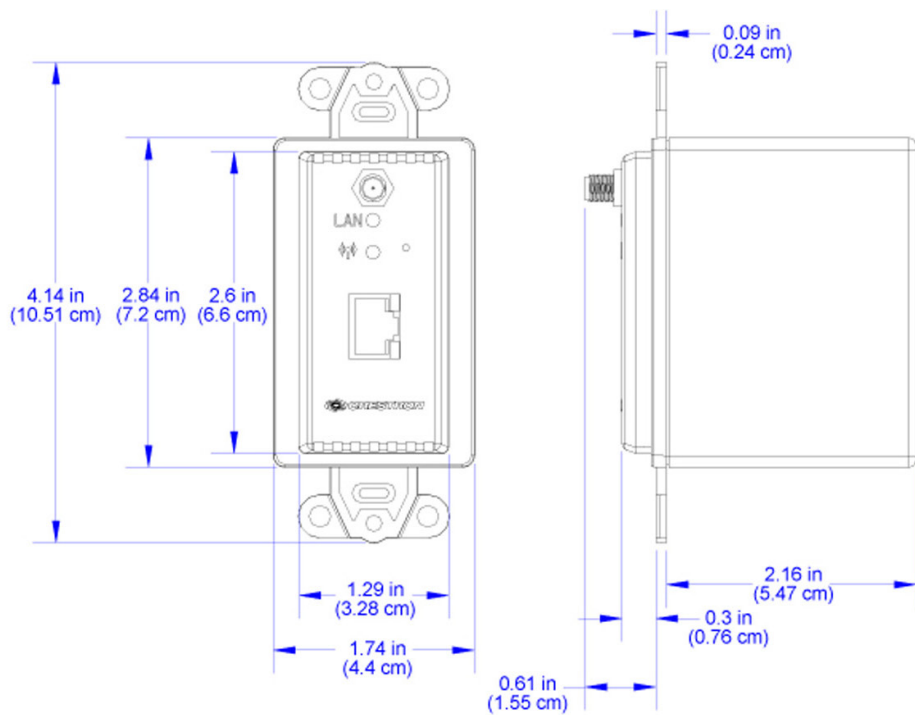
1. [Middle Atlantic HBL1-722243](#) or equivalent rack mount panel recommended. Note unit dimensions when specifying any other rack mount kit.
2. [PWE-4803RU](#) included with CEN-WAP-ABG-POE-PWE kit, or sold separately. [CEN-SW-POE-5](#) included with CEN-WAP-POE-PAK kit, or sold separately. [CEN-SWPOE-16](#) and [CEN-SWPOE-24](#) sold separately.

This product may be purchased from an authorized Crestron dealer. To find a dealer, please contact the Crestron sales representative for your area. A list of sales representatives is available online at www.crestron.com/salesreps or by calling 800-237-2041.

The specific patents that cover Crestron products are listed online at: patents.crestron.com.

Crestron and the Crestron logo are either trademarks or registered trademarks of Crestron Electronics, Inc. in the United States and/or other countries. Other trademarks, registered trademarks, and trade names may be used in this document to refer to either the entities claiming the marks and names or their products. Crestron disclaims proprietary interest in the marks and names of others. Crestron is not responsible for errors in typography or photography. Specifications are subject to change without notice. ©2013 Crestron Electronics, Inc.

CEN-WAP-ABG-1G Wall Mount 802.11a/b/g Wireless Access Point



CEN-WAP-ABG-1G - Rear View

