



Description

The iLux units are complete integrated wall-mounted lighting systems that can function as stand-alone devices or as part of a total Crestron® solution via the infiNET™ network. The domestic units, CLS-C6RF and CLS-C6MRF, and international units, CLSI-C6RF and CLSI-C6MRF, are functionally identical except that the CLS-C6MRF and CLSI-C6MRF include a built-in motion sensor. The CLS-C6RF and CLS-C6MRF operate at 100 to 127 Vac, and the CLSI-C6RF and CLSI-C6MRF operate at 220 to 240 Vac. For simplicity within this guide, the term “CLS-C6RF” is used except where noted.

CLS-C6RF Specifications

SPECIFICATION	DETAILS
Power Requirements	
Domestic	Line Power, 100 to 127 Vac, 50/60 Hz
International	Line Power, 220 to 240 Vac, 50/60 Hz
Domestic Load Ratings¹	
Max load per channel	800 W/VA (6.6 A at 120 Vac), expandable via CLS-EXP expansion modules (sold separately)
Min load per channel	15 W/VA (0.125 A at 120 Vac)
Max load per unit	1,920 W/VA (16 A at 120 Vac)
International Load Ratings¹	
Max load per channel	800 W/VA
Min load per channel	(3.5 A at 230 Vac), expandable via CLS-EXP expansion modules (sold separately)
Max load per unit	25 W/VA (0.108 A at 230 Vac) 2,200 W/VA (10 A at 220 Vac) 2,300 W/VA (10 A at 230 Vac) 2,400 W/VA (10 A at 240 Vac)
Load Types	
Dim	LED ² , Incandescent, Magnetic Low-voltage, Neon/Cold Cathode, 2-Wire Dimmable Fluorescent, and Non-Dim Lighting;
Switch	Electronic Low-voltage, 3- and 4-Wire Fluorescent, High-Inrush Switching, and 277 V via CLS-EXP series expansion modules (sold separately)
Cresnet® Power for Local Devices	4.8 W maximum External power supply sold separately
Environmental	
Temperature	32° to 104 °F (0° to 40 °C)
Humidity	10% to 90% RH (noncondensing)
Enclosure	Mounts in a 4-gang electrical box, 3-1/2 in (89 mm) deep minimum

1. If a unit is fed from an arc fault circuit interrupter, the maximum total load is 1,000 W/VA to avoid nuisance tripping.
 2. For a list of compatible ballasts, visit www.crestron.com/lightingcompatibility.

Additional Resources

Visit the product page on the Crestron website (www.crestron.com) for additional information and the latest firmware updates. Use a QR reader application on your mobile device to scan the QR image.



Important Notes

WARNING: To avoid fire, shock, or death, turn off power at circuit breaker or fuse and test that power is off before wiring!

WARNING: New installations should be checked for short circuits prior to installing a CLS-C6RF. With the power off, close the circuit, and then restore power. If the lights do not work, or a breaker trips, check and correct the wiring or fixture (if necessary). Install the CLS-C6RF only when the short is no longer present. The warranty is void if the CLS-C6RF is installed and operated with a shorted load.

CAUTION: TO REDUCE THE RISK OF OVERHEATING AND POSSIBLE DAMAGE TO OTHER EQUIPMENT, DO NOT INSTALL TO CONTROL A RECEPTACLE, A MOTOR-OPERATED APPLIANCE OR A TRANSFORMER-SUPPLIED APPLIANCE.

ATTENTION: GRADATEURS COMMANDANT UN BALLAST-AFIN DE RÉDUIRE LE RISQUE DE SURCHAUFFE ET LA POSSIBILITÉ D'ENDOMMAGEMENT À D'AUTRES MATÉRIELS, NE PAS INSTALLER POUR COMMANDER UNE PRISE, UN APPAREIL OPÉRÉ DE MOTEUR OU UN APPAREIL ALIMENTÉ PAR UN TRANSFORMATEUR.

NOTE: Observe the following points:

- Codes: Install in accordance with all local and national electrical codes.
- Installation: A licensed electrician must install the CLS-C6RF.
- Wiring: Use copper wire only. For supply connections, use wire rated for at least 75 °C. The CLS-C6RF requires a neutral wire connection for operation.
- Lamp Type: For use with permanently installed LED, incandescent, magnetic low voltage, neon/cold cathode, 2-wire dimmable fluorescent, and non-dim lighting only, electronic low voltage, 3- and 4-wire fluorescent, high-inrush switching, and 277 V via CLS-EXP Series expansion modules (sold separately).
- Temperature: Use where temperatures are from 32° to 104 °F (0° to 40 °C).
- Electrical Boxes: The CLS-C6RF mounts in standard, 4-gang electrical boxes. For installation, Crestron recommends using 3-1/2 in (89 mm) deep electrical boxes.
- Spacing: If mounting one device above another, leave at least 4-1/2 in (115 mm) vertical space between them.

Installation

The following tools and hardware are required for installation:

- 4-gang electrical box (not supplied) that is a minimum of 3-1/2 in (89 mm) deep
- Phillips torque screwdriver (not supplied)
- Four 7/8 in (~22 mm) pan head Phillips screws (supplied)

If the planned configuration includes connection to shade controllers, keypads, or a Crestron control system, the following items are also required:

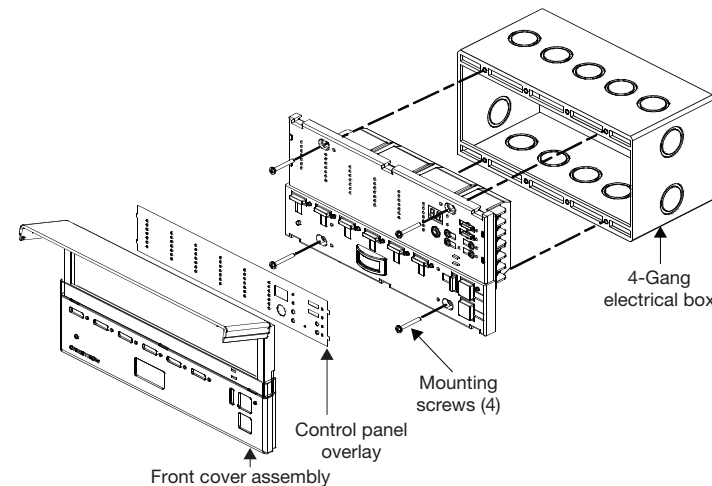
- Cresnet® network cable(s) (not supplied)
- Terminal block connector(s) (two supplied)

NOTE: For detailed configuration options, refer to the CLS(l)-C6/C6M and CLS(l)-C6RF/C6MRF Reference Guide (Doc. 6347) at www.crestron.com/manuals.

Check that any required Cresnet wiring has been installed and verified. Then, use the following procedure to install the CLS-C6RF.

1. Feed the wires (power line from the distribution panel, load wires, plus any required Cresnet cables) through the holes in the electrical box.
2. Hold the rear of the CLS-C6RF unit and remove the front panel and cover assembly by carefully pulling out and up from the bottom edge.

CLS-C6MRF Installation

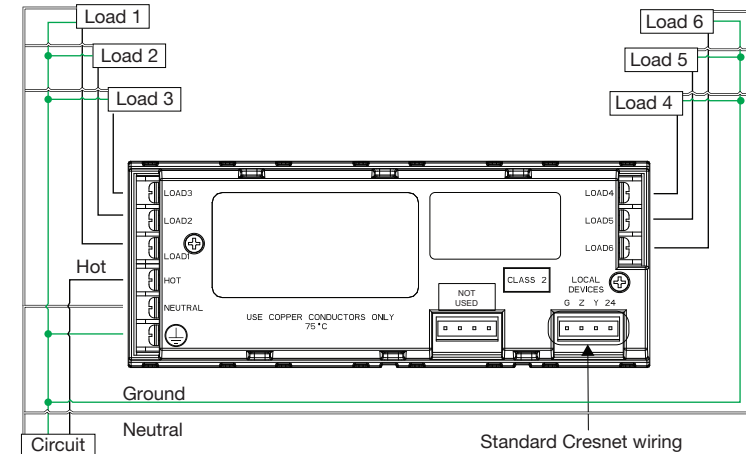


3. Remove the control panel overlay from the CLS-C6RF, which is held in place by small tabs and lifts off, to reveal the upper mounting screw holes.
4. Refer to the wiring diagram for the ac wiring. All wires that are to be inserted in the screw terminals should be stripped 7/16 in (~11 mm), and screws should be tightened to between 8 and 10 in.-lbs. (0.90 to 1.13 Nm). The maximum wire size is 12 AWG (3 mm²).
5. Connect each load wire to the corresponding LOAD terminals on the CLS-C6RF, connect the power line hot wire from the circuit breaker to the HOT terminal on the CLS-C6RF, connect all neutral wires to the NEUTRAL terminal on the CLS-C6RF, and connect all ground wires to the ground terminal on the unit.
6. If Cresnet cabling is part of the installation, attach the supplied terminal block connector(s) to the Cresnet cable(s) and plug into the appropriate port(s) on the CLS-C6RF. Make certain that there is a minimum 1/4 in (~6 mm) separation between the Class 2 Cresnet wiring and the Class 1 ac wiring.

NOTE: Use a 15 or 20 A circuit breaker depending on installation requirements. Refer to specifications for load rating details.

NOTE: CLS-EXP expansion modules can be used in place of any or all loads shown above. Refer to expansion module documentation for wiring details.

CLS-C6MRF Wiring



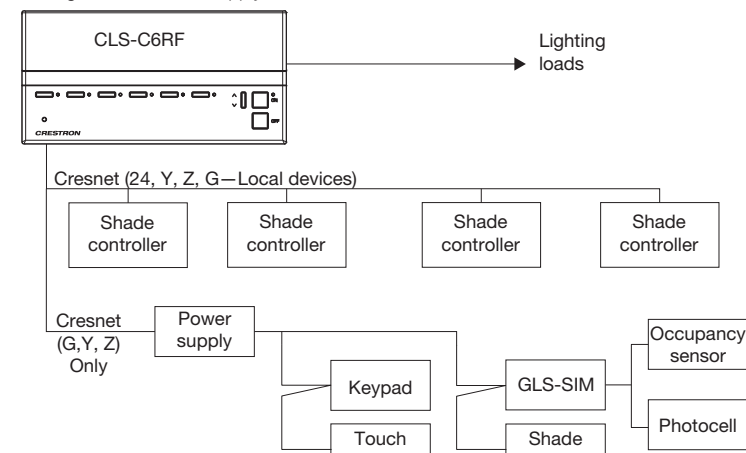
7. Carefully tuck all of the wires into the electrical box and, using the four 7/8 in (~22 mm) Phillips screws supplied, fasten the CLS-C6RF to the electrical box.
8. Reattach the control panel overlay to the front panel by inserting the four tabs into the slots on the CLS-C6RF, and install the hinged front cover assembly by lining it up at the top and pressing the bottom edge until the cover snaps into position.

Adding External Power Supplies

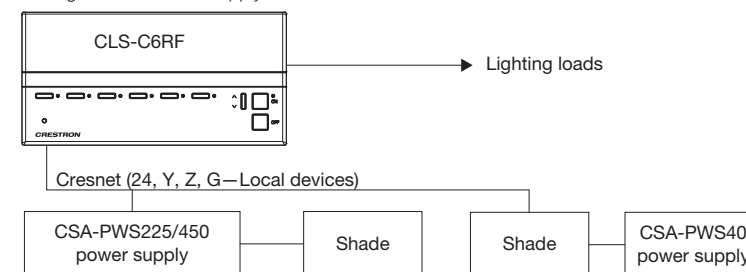
Additional power supplies are required to support more than four keypads or shade controllers on the local devices network. Also, each C2N-SDC-DC, CSM-QMTDC, and CSC-DCCN shade controller requires its own additional power supply. The diagrams below illustrate a scenario where an external power supply is required to add a shade controller and other devices to a network that already contains four shade controllers. The actual number of external power supplies required depends on the system configuration. The illustrations show a variety of installation configurations.

NOTE: Always use Crestron certified wire.

Adding External Power Supply for C2N-SDC-DC Controlled Shades



Adding External Power Supply for CSM-QMTDC and CSC-DCCN Controlled Shades

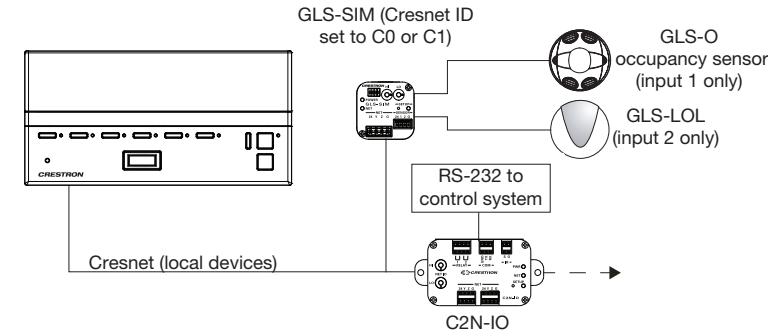


Wiring Occupancy Sensors and Photocells

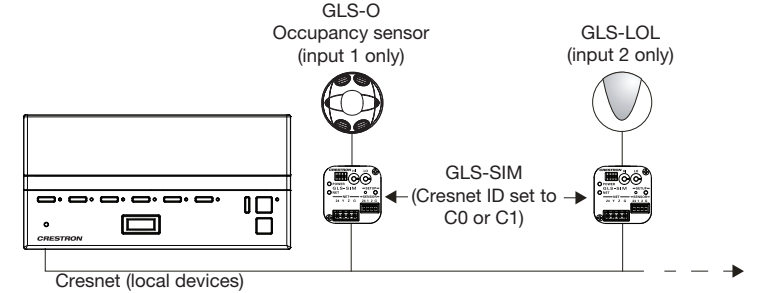
NOTE: Before using the CLS-C6RF, ensure the device is using the latest firmware. Check for the latest firmware for the CLS-C6RF at www.crestron.com/firmware. Load the firmware onto the device using Crestron Toolbox™ software.

NOTE: Refer to the CLS(l)-C6/C6M and CLS(l)-C6RF/C6MRF iLux Integrated Lighting System Reference Guide (Doc. 6347) for details on supported devices.

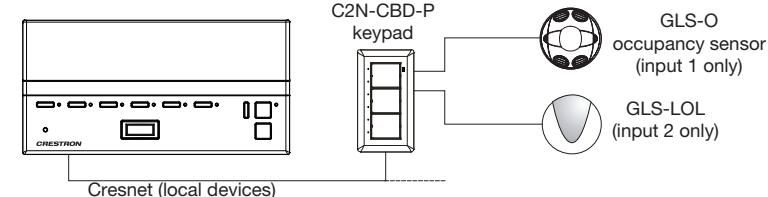
CLS-C6MRF with One GLS-SIM and One C2N-IO



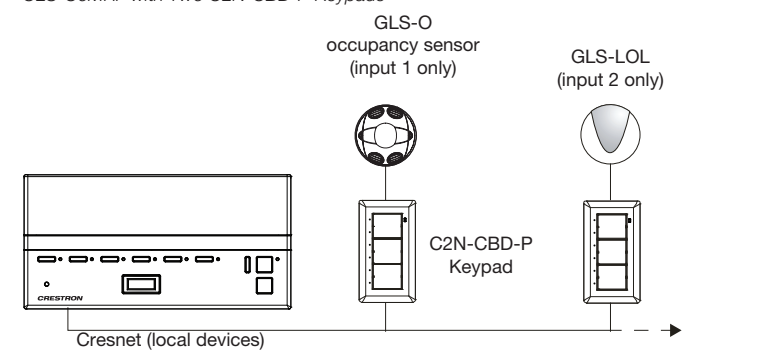
CLS-C6MRF with Two GLS-SIM Units



CLS-C6MRF with One C2N-CBD-P Keypad



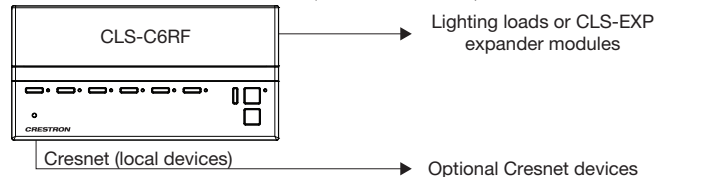
CLS-C6MRF with Two C2N-CBD-P Keypads



Installation Configurations

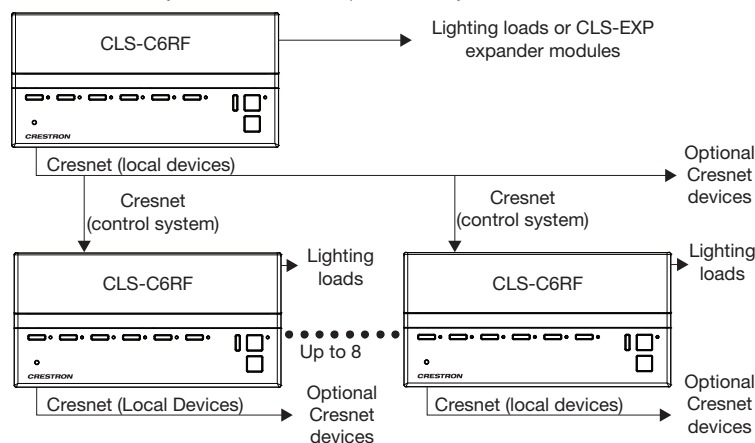
The following illustrations describe five installation configurations.

Method 1: A Stand-Alone CLS-C6RF (Most Common Use)



Method 1 is the simplest way to control up to six lighting loads and six shade control groups. No control system is required.

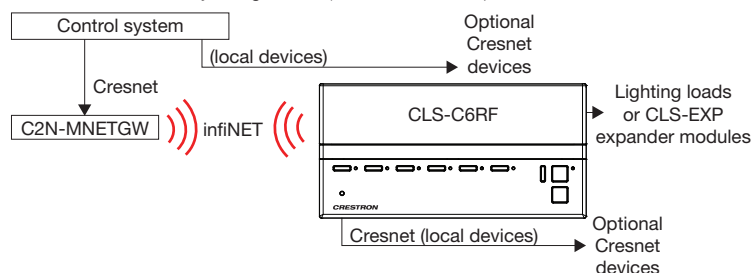
Method 2: A Primary CLS-C6RF with Multiple Secondary CLS-C6RF Units



Method 2 is used in a large room with more than six lighting loads and shade groups. No control system is required.

Scene recall and master dimmers affect the entire room. The user can still adjust each circuit individually. For details on room combining, refer to the CLS(I)-C6/C6M and CLS(I)-C6RF/C6MRF iLux Integrated Lighting System Reference Guide (Doc. 6347).

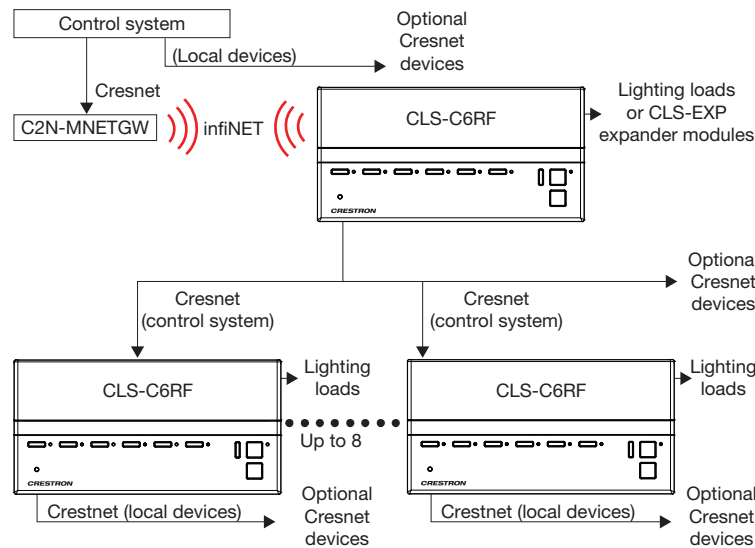
Method 3: A CLS-C6RF with a Control System Communicating to the CLS-C6RF via C2N-MNETGW Gateway Using infiNET (Method 1 Variation)



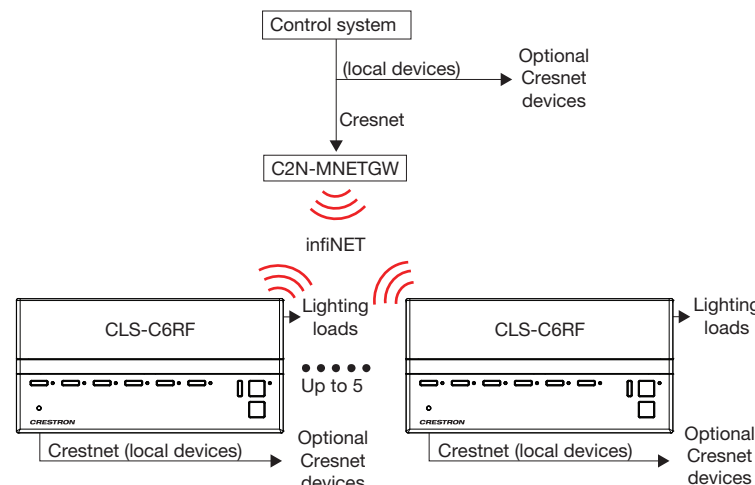
In Method 3, the control system can control and monitor operation of the lighting system and can trigger lighting scenes from touch screens, RF wireless remotes, computers, or a real-time clock. Buttons on the lighting system can control other functions.

The CLS-C6RF still operates on its own if the control system is not running.

Method 4: A CLS-C6RF in a Large Room with a Control System Communicating to the CLS-C6RF via C2N-MNETGW Gateway Using infiNET (Method 3 Variation)



Method 5: A Control System with Multiple CLS-C6RF Units on the Main infiNET Network



In Method 5, the control system can monitor and control the lighting in multiple independent rooms. The rooms can be combined and arranged under program control. This method includes all of the features of the other configurations.

Each individual CLS-C6RF can operate on its own if the control system is not running.

Supported Devices

The following table lists devices and power requirements supported by CLS-C6RF units.

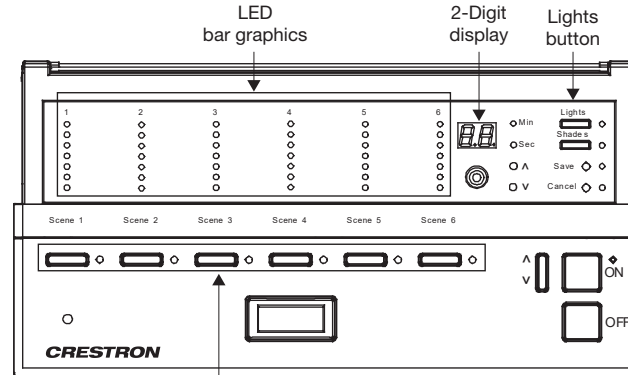
Supported Devices and Power Requirements

NAME	DESCRIPTION	CRESNET POWER FACTOR (W)	MAX QTY
C2N-DB6	6-Button Keypad	3 W	16
C2N-DB8	8-Button Keypad	3 W	16
C2N-DB12	12-Button Keypad	3 W	16
C2N-CBD/CBF (All Models)	Cameo® Keypad	0.5 W	16
C2NI-CB & INETI-CB	Cameo Keypad (International)	0.5 W	16
C2N-IO	Control Port Expansion Module	1 W	1
C2N-SDC	Shade and Drapery Controller, 120 Vac	3 W	16
C2N-SDC-DC	Shade and Drapery Controller, 24 Vdc	Up to 33 W	16
C2N-SSC-2	Somfy® Shade Controller	1 W	16
CNX-B2	2-Button Keypad	3 W	16
CNX-B4	4-Button Keypad	3 W	16
CNX-B6	6-Button Keypad	3 W	16
CNX-B8	8-Button Keypad	3 W	16
CNX-B12	12-Button Keypad	3 W	16
CSC-ACCN	Cresnet® Interface to Somfy® ST50 ILT2 Motor	N/A	16
CSC-DCCN	Cresnet® Interface to Crestron® CSM-QMT30 Shades	N/A	16
CSC-DRPCN	Drapery Track Interface	N/A	16
CSM-QMTDC-256-2-CN	Digital QMT® Shade Motor for 21 in Roller Shades and Larger, 2 Nm, Cresnet® Network	36 W	16
CSM-QMTDC-163-1-CN	Digital QMT® Shade Motor for QMT3 Series, Cresnet® Network	42.5 W	16
CSM-QMTDC-250-2-CN	Digital QMT® Shade Motor for QMT5 Series, 2 Nm, Cresnet® Network	36 W	16
CSM-QMTDC-250-4-CN	Digital QMT® Shade Motor for QMT5 Series, 4 Nm, Cresnet® Network	42.5 W	16
CSM-QMTDC-DRP-3-CN	Digital QMT® Drapery Motor for CSS-DRAPERY, Cresnet® Network	42.5 W	16
GLS-SIM	Sensor Integration Module	1 W plus attached sensor wattage	Partitions: 36 Occupancy Sensing: 2 BMS Integration: 4
GLS-ODT & GLS-OIR Series	Occupancy Sensors	1 W	2
TPS-4L	3.6 in Wall-Mount Touch Screen	5 W	2
TPS-6L	5.7 in Wall-Mount Touch Screen	15 W	2

Testing

The following illustration shows the front panel of the CLS-C6RF and the controls used during installation.

Front Panel Controls and Indicators



Function buttons

Verify the basic installation and wiring connections as follows:

1. Press the **Lights** button to enable manual light control, and press the right side and the left side of each of the function buttons to increase and decrease the lighting level of those loads. Verify that the intended loads and corresponding LED bar graphs respond appropriately.
2. Press the **OFF** button to turn off all loads. The loads ramp down to off while the two-digit display counts down to off (blank). Two seconds after all lights have turned off, the unit's master air-gap relay opens, making it safe to service the lighting installations.

Troubleshooting

The following table provides corrective actions for possible trouble situations. If further assistance is required, please contact a Crestron customer service representative. For details on setting load types and low-end limits, refer to the CLS(I)-C6/C6M and CLS(I)-C6RF/C6MRF iLux Integrated Lighting System Reference Guide (Doc. 6347).

CLS-C6RF Installation Troubleshooting

TROUBLE	POSSIBLE CAUSE(S)	CORRECTIVE ACTION
The unit does not function.	The unit is not receiving line power.	Verify that the unit is properly connected to the power line and that the circuit breaker is closed.
The loads turn on and off but do not dim.	The loads are not connected.	Verify that the loads are operational and that they are connected to the iLux unit.
	The incorrect load type or load types are set.	Correct the load type settings.
The lights flicker at low levels.	The incorrect low-end limit is set.	Change the low-end limit setting.

These products are Listed to applicable UL® Standards and requirements by Underwriters Laboratories Inc.

Ces produits sont énumérés aux normes applicables et les exigences UL par Underwriters Laboratories Inc.



As of the date of manufacture, these devices have been tested and found to comply with specifications for CE marking.



Federal Communications Commission (FCC) Compliance Statement

CAUTION: Changes or modifications not expressly approved by the manufacturer responsible for compliance could void the user's authority to operate the equipment.

NOTE: This equipment has been tested and found to comply with the limits for a Class B digital device, pursuant to part 15 of the FCC Rules. These limits are designed to provide reasonable protection against harmful interference in a residential installation. This equipment generates, uses and can radiate radio frequency energy and, if not installed and used in accordance with the instructions, may cause harmful interference to radio communications. However, there is no guarantee that interference will not occur in a particular installation. If this equipment does cause harmful interference to radio or television reception, which can be determined by turning the equipment off and on, the user is encouraged to try to correct the interference by one or more of the following measures:

- Reorient or relocate the receiving antenna.
- Increase the separation between the equipment and receiver.
- Connect the equipment into an outlet on a circuit different from that to which the receiver is connected.
- Consult the dealer or an experienced radio/TV technician for help.

Industry Canada (IC) Compliance Statement

Operation is subject to the following two conditions:

1. This device may not cause interference, and
2. This device must accept any interference, including interference that may cause undesired operation of the device.

To satisfy RF exposure requirements, this device and its antenna must operate with a separation distance of at least 20 centimeters from all persons and must not be colocated or operating in conjunction with any other antenna or transmitter.

The product warranty can be found at www.crestron.com/warranty.

The specific patents that cover Crestron products are listed at patents.crestron.com.

Certain Crestron products contain open source software. For specific information, please visit www.crestron.com/opensource.

Crestron, the Crestron logo, Cameo, Cresnet, Crestron Toolbox, iLux, infiNET, and QMT are either trademarks or registered trademarks of Crestron Electronics, Inc. in the United States and/or other countries. Somfy is either a trademark or registered trademark of Somfy Systems, Inc. in the United States and/or other countries. UL and the UL logo are either trademarks or registered trademarks of Underwriters Laboratories, Inc. in the United States and/or other countries. Other trademarks, registered trademarks, and trade names may be used in this document to refer to either the entities claiming the marks and names or their products. Crestron disclaims any proprietary interest in the marks and names of others. Crestron is not responsible for errors in typography or photography. This document was written by the Technical Publications department at Crestron.

©2021 Crestron Electronics, Inc.

Crestron Electronics, Inc.
15 Volvo Drive Rockleigh, NJ 07647
Tel: 888.CRESTRON
Fax: 201.767.7576
www.crestron.com

Installation Guide - DOC. 6416F
(2013966)
12.21

Specifications subject to change without notice.