

Chicago Plenum Enclosure for Zūm® Wireless J-Box Devices

The Crestron® [ZUMMESH-JBOX-FMKT-CP](#) is an air-tight, Chicago Plenum compliant enclosure that is designed to secure a Zūm® wireless J-Box device. The enclosure has an integrated divider that separates Class 1 and Class 2 wiring and provides a 1/2 in. knockout to secure the Zūm J-Box device.



In the Box

- 1 ZUMMESH-JBOX-FMKT-CP, Chicago Plenum Enclosure for Zūm® Wireless J-Box Devices

Additional Items

- 1 Plastic Cover, Box, Chicago Plenum, 7 in. x 7 in. (2053337)
- 2 Washer, Lock, #8 (2007673)
- 4 Screw, 08-32 x 1/2 in., Undercut Head, Flat, Phillips, Zinc Plated, Steel, White (2053996)



Install the ZUMMESH-JBOX-FMKT-CP

NOTE: The ZUMMESH-JBOX-FMKT-CP must be installed in accordance with Chicago Electric Code articles 300.11 (A) and 300.11 (B).

To install the ZUMMESH-JBOX-FMKT-CP, the enclosure must be mounted in the plenum space, the Zūm J-Box device must be secured in the enclosure and properly wired, and the plastic cover must be installed.

Secure the Enclosure in the Chicago Plenum

Secure the enclosure to a stud, rigid conduit, or threaded rod. Dimples are placed on the bottom of the enclosure to prevent drill bits from walking when drilling holes in the enclosure.

The opening of the enclosure must be located in the room, outside of the plenum space.

NOTE: The enclosure must be mounted so that the open edge of the box is flush to the drop ceiling panel on the room side or protruding slightly into the room.

Install the Zūm J-Box Device in the Enclosure

A metal divider with a 1/2 in. knockout is used to secure the Zūm J-Box device in the enclosure.

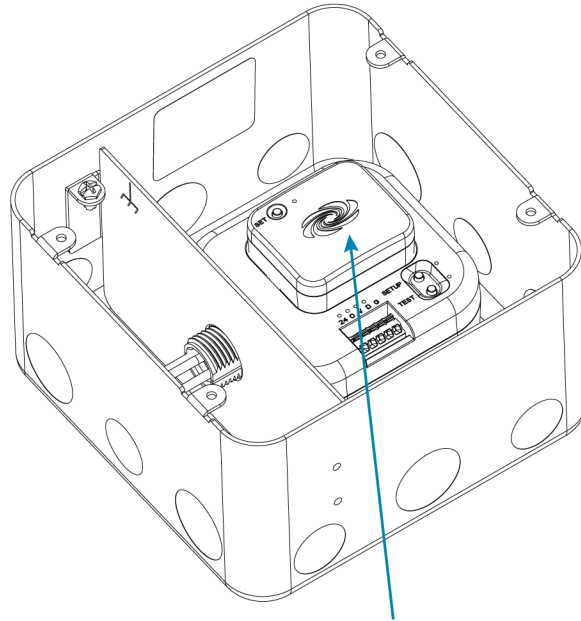
NOTE: The metal divider is welded in place and must not be removed under any circumstance.

1. Insert the wires and threaded plastic of the Zūm J-Box device through the 1/2 in. knockout in the metal divider.

Chicago Plenum Enclosure for Zūm® Wireless J-Box Devices

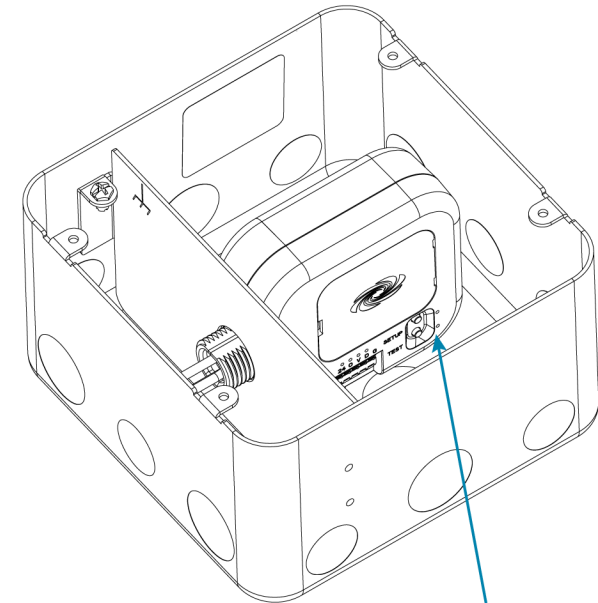
2. Secure the Zūm J-Box device to the metal divider with a 1/2 in. lock nut (supplied with the Zūm J-Box device). For optimal wireless communication, orient the Zūm J-Box device as indicated below.
 - a. When a ZUMMESH-NETBRIDGE is used, the J-Box device must be oriented with the ZUMMESH-NETBRIDGE towards the opening of the enclosure.
 - b. When ZUMMESH-NETBRIDGE is not used, the J-Box device must be oriented with the **SET** and **TEST** buttons away from the opening in the enclosure.

Install a Zūm J-Box device with a ZUMMESH-NETBRIDGE



ZUMMESH-NETBRIDGE

Install a Zūm J-Box device without a ZUMMESH-NETBRIDGE



Buttons

Chicago Plenum Enclosure for Zūm® Wireless J-Box Devices

Wire the Zūm J-Box Device

NOTES:

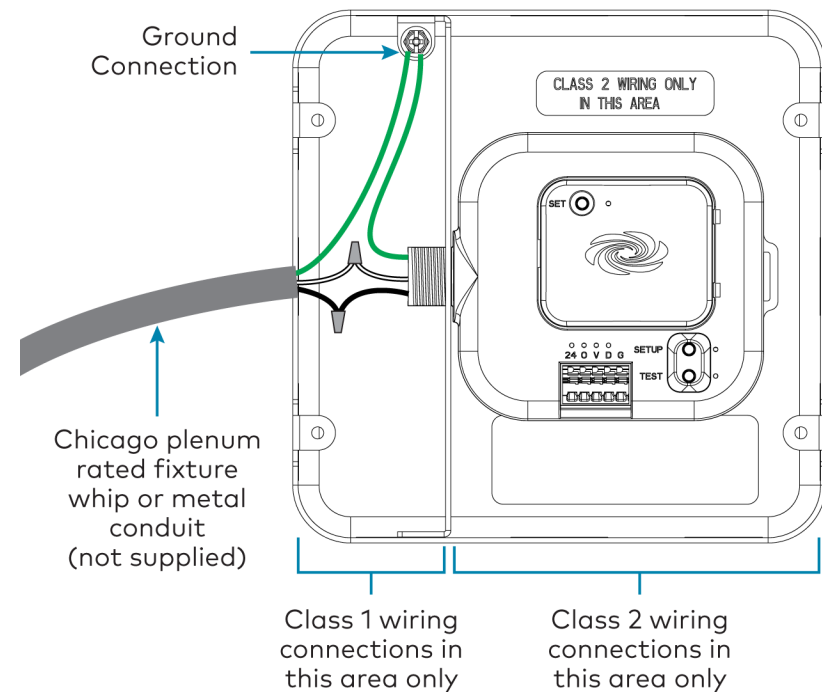
- Only knock out the opening intended for use in the installation.
 - Partially knocking out any opening will cause the box to no longer be Chicago Plenum rated.
1. Connect Chicago plenum rated fixture whip or metal conduit to the Class 1 side of the enclosure. To facilitate wiring, five push-back style, air-tight knockouts are provided on the Class 1 side of the enclosure; two 3/4 in. knockouts and three 1/2 in. knockouts.
 2. Wire the Zūm J-Box device as described in its Quick Start that is located at www.crestron.com/manuals. The illustration that follows is for reference only.

NOTE: If necessary, make Class 2 connections between the Zūm J-Box device and other low-voltage devices. To facilitate wiring, ten push-back style, air-tight knockouts are provided on the Class 2 side of the enclosure; six 3/4 in. knockouts and four 1/2 in. knockouts.

3. Connect the ground wire to the ground tab on the divider in the enclosure.

NOTE: The electrical box as well as the equipment installed in the box must be grounded using the included #8 grounding lock washer, #8-32, 3/8 in. grounding screw, and 18 AWG (minimum) wire that has been terminated with an appropriate ring terminal.

Wire the Zūm J-Box Device - Example

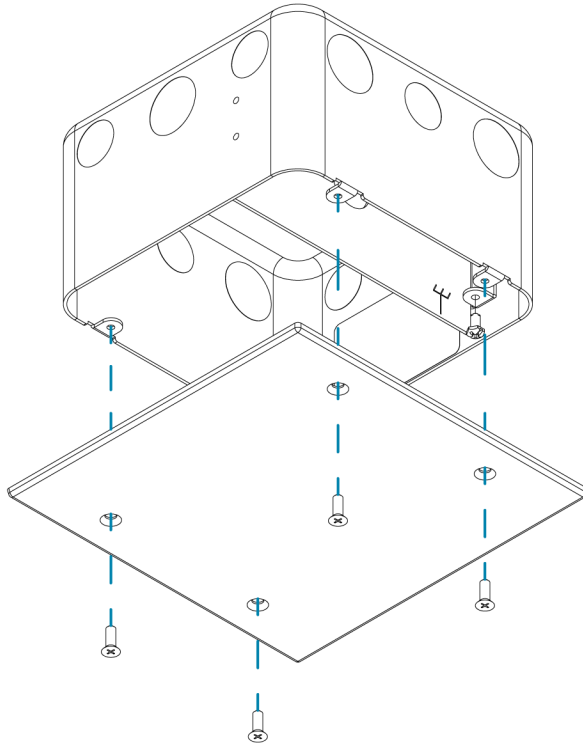


Chicago Plenum Enclosure for Zūm® Wireless J-Box Devices

Secure the Plastic Cover

Use the plastic cover (supplied) to maintain a strong RF signal between wireless devices. Secure the plastic cover to the enclosure using the provided screws.

NOTE: The cover protrudes 1/8 in. (3 mm) from the surface of the ceiling.



Visit the Product Page

Scan the QR code to visit the product page.

ZUMMESH-JBOX-FMKT-CP



www.crestron.com/model/6510918

Chicago Plenum Enclosure for Zūm® Wireless J-Box Devices

Additional Information

Original Instructions

The U.S. English version of this document is the original instructions. All other languages are a translation of the original instructions.

Crestron product development software is licensed to Crestron dealers and Crestron Service Providers (CSPs) under a limited nonexclusive, nontransferable Software Development Tools License Agreement. Crestron product operating system software is licensed to Crestron dealers, CSPs, and end-users under a separate End-User License Agreement. Both of these Agreements can be found on the Crestron website at www.crestron.com/legal/software_license_agreement.

The product warranty can be found at www.crestron.com/warranty.

The specific patents that cover Crestron products are listed at www.crestron.com/legal/patents.

Certain Crestron products contain open source software. For specific information, visit www.crestron.com/opensource.

Crestron, the Crestron logo, and Zūm are either trademarks or registered trademarks of Crestron Electronics, Inc. in the United States and/or other countries. Other trademarks, registered trademarks, and trade names may be used in this document to refer to either the entities claiming the marks and names or their products. Crestron disclaims any proprietary interest in the marks and names of others. Crestron is not responsible for errors in typography or photography.

©2020 Crestron Electronics, Inc.

Doc. 8461C

08/10/20