

UC-CAM-WMK

Wall Mount Kit for Crestron® Cameras

The Crestron® [UC-CAM-WMK](#) Wall Mount Kit provides secure mounting options for select Crestron Collaboration Cameras (not included). It comes with two mounting brackets and mounting hardware that allow for a variety of mounting locations.



In the Box

- 1 UC-CAM-WMK, Wall Mount Kit for Crestron Cameras

Additional Items

- 2 Anchor, Wall, Plastic, #6 x 1-1/4 in. (2043585)
- 1 Bracket, Camera, 2.00 in. to 3.50 in. (51 mm to 89 mm) (2053562)
- 1 Bracket, Camera, 3.50 in. to 5.00 in. (89 mm to 127 mm) (2053561)
- 1 Screw, 1/4-20, 5/16 in., Flat Head, Phillips (2040253)
- 2 Screw, 6-AB x 1 in., Pan Head, Phillips, Black (2053606)
- 2 Tie Wrap, Releasable (2005430)



Install

Select an appropriate mounting location and install the bracket.

Choose a Location

For optimal viewing results, the bracket should be mounted in a location that places the camera above the plane of the room's conference table.

Choose a Bracket

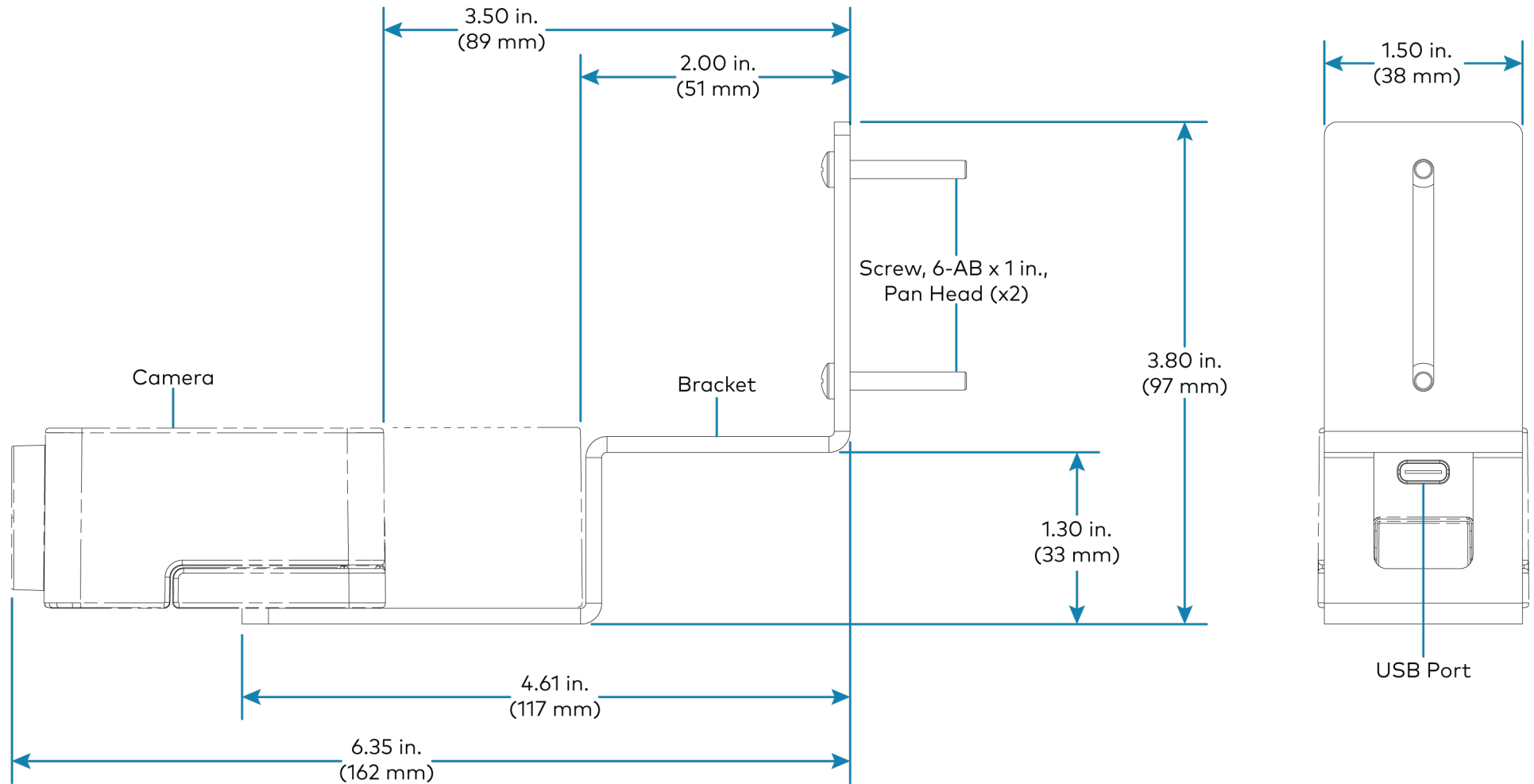
The wall mount kit comes with two brackets to accommodate a variety of mounting locations. The smaller bracket allows the back of the camera to be placed 2.00 in. to 3.50 in. (51 mm to 89 mm) off the wall while the larger bracket allows the back of the camera to be placed 3.50 in. to 5.00 in. (89 mm to 127 mm) off the wall.

NOTES:

- The camera can be mounted on top of or under the bracket.
- When using the [CCS-CAM-USB-F-100](#), the smaller bracket allows the back of the camera to be placed 2.25 in. to 3.00 in. (57 mm to 76 mm) off the wall while the larger bracket allows the back of the camera to be placed 3.75 in. to 4.55 in. (95 mm to 116 mm) off the wall.

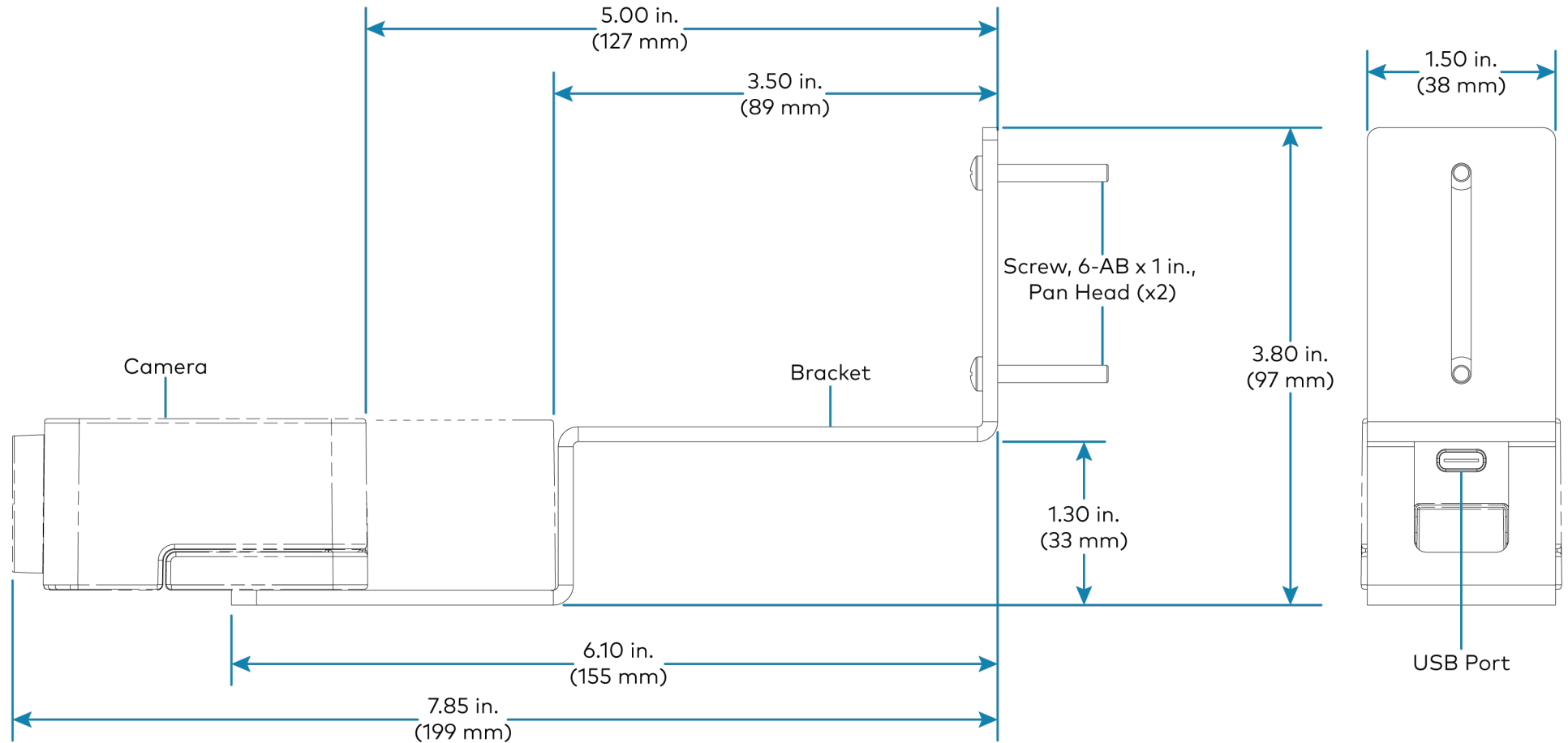
Wall Mount Kit for Crestron® Cameras

Small bracket, CCS-CAM-USB-F-400 camera shown



Wall Mount Kit for Crestron® Cameras

Large bracket, CCS-CAM-USB-F-400 camera shown

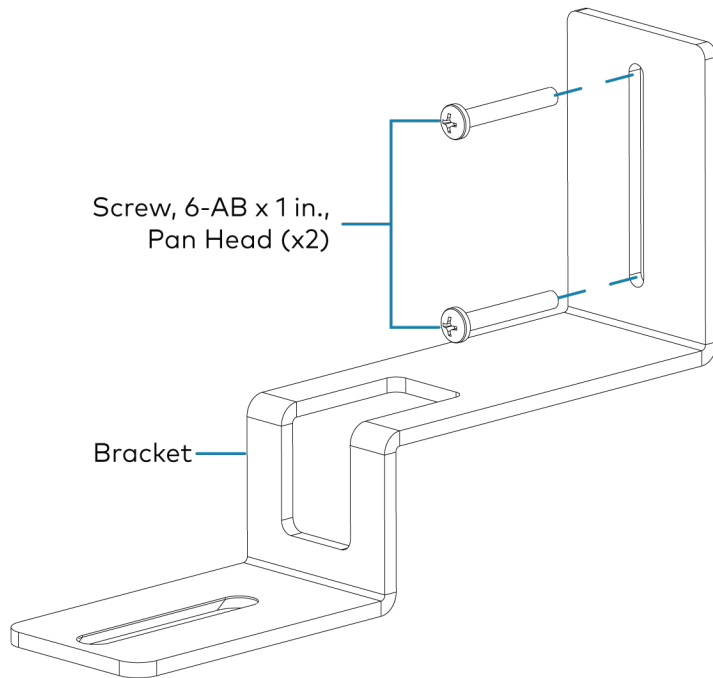


Wall Mount Kit for Crestron® Cameras

Secure the Bracket

Secure the bracket to the mounting surface with the included 6-AB x 1 in. pan head screws. Use the included anchors for mounting locations where a stud cannot be found.

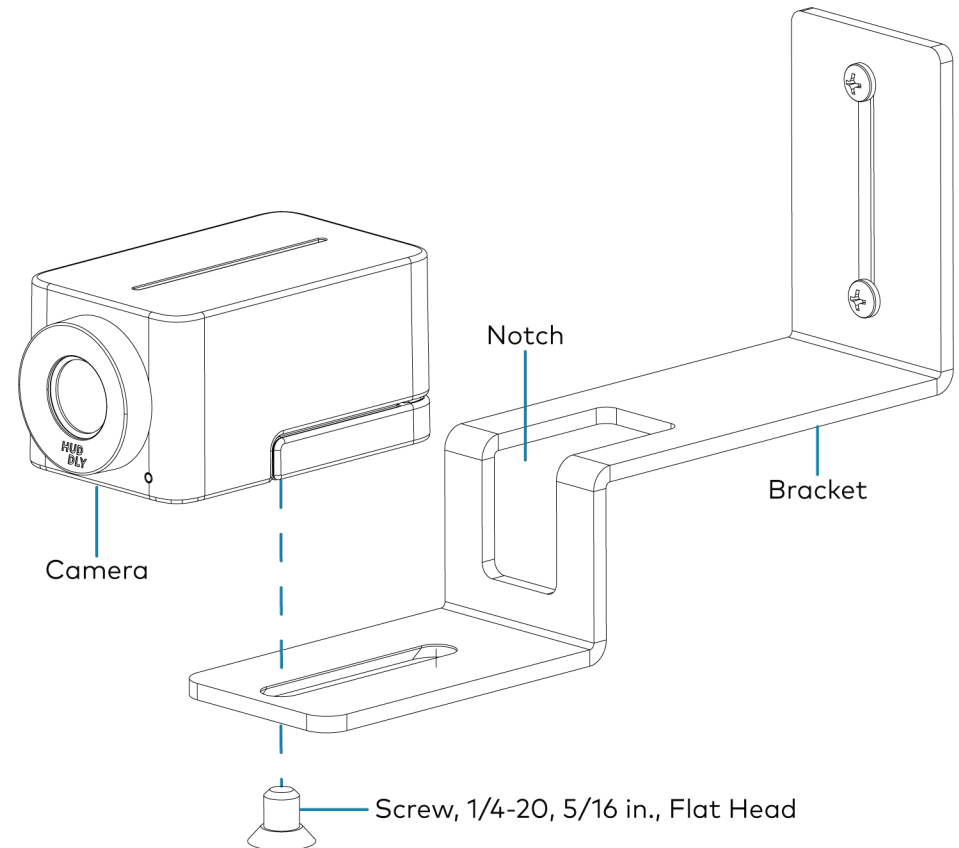
Secure the bracket (large bracket shown)



Attach the Camera

Attach the camera to the bracket with the included 1/4-20, 5/16 in. flat head screw. The camera can be positioned forward and back along the bracket.

Attach the camera (large bracket with CCS-CAM-USB-F-400 camera shown)



Wall Mount Kit for Crestron® Cameras



Connect

Thread the cable that is included with the camera through the notch in the bracket and connect it to the camera's USB port and a USB device. Use the included tie wraps to secure excess cable.

NOTE: On the CCS-CAM-USB-F-100, the cable is attached to the camera.



Visit the Product Page

Scan the QR code to visit the product page.

UC-CAM-WMK



www.crestron.com/model/6510998

Wall Mount Kit for Crestron® Cameras

Additional Information

Original Instructions

The U.S. English version of this document is the original instructions. All other languages are a translation of the original instructions.

Crestron product development software is licensed to Crestron dealers and Crestron Service Providers (CSPs) under a limited nonexclusive, nontransferable Software Development Tools License Agreement. Crestron product operating system software is licensed to Crestron dealers, CSPs, and end-users under a separate End-User License Agreement. Both of these Agreements can be found on the Crestron website at www.crestron.com/legal/software_license_agreement.

The product warranty can be found at www.crestron.com/warranty.

The specific patents that cover Crestron products are listed at www.crestron.com/legal/patents.

Certain Crestron products contain open source software. For specific information, visit www.crestron.com/opensource.

Crestron and the Crestron logo are either trademarks or registered trademarks of Crestron Electronics, Inc. in the United States and/or other countries. Other trademarks, registered trademarks, and trade names may be used in this document to refer to either the entities claiming the marks and names or their products. Crestron disclaims any proprietary interest in the marks and names of others. Crestron is not responsible for errors in typography or photography.

©2020 Crestron Electronics, Inc.

Doc. 8257B

08/12/20