

# UC-MM30-T

## Crestron Flex Tabletop Small Room Video Conference System for Microsoft Teams® Rooms



- *Tabletop video conferencing solution for a Microsoft Teams® Rooms environment*
- *Native Microsoft Teams® Rooms touch screen UI provides a consistent, simple user experience with one-touch meeting joins*
- *Complete kit contains a Crestron Flex tabletop conference device, collaboration camera, UC bracket assembly, PoE injector, and cables — just add a display and mount*
- *Easy to specify and install — no custom design, programming, or software installation required*
- *Optional integration with Crestron® control systems*
- *Direct connection option between UC Engine and Crestron Flex tabletop conference device for simple installation and configuration*
- *Network management and provisioning, system alerts, and Crestron Flex tabletop conference device pairing to the system's UC Engine through the XiO Cloud® service*
- *Premium-level support with Crestron Flex Care (optional)*
- *Enterprise-grade security - connects and communicates securely over any enterprise or SMB network*
- *Supports single or dual video displays (not included)*

The UC-MM30-T Crestron Flex tabletop conferencing system provides a small room video conference solution for use with Microsoft Teams® Rooms software. It supports single or dual video displays<sup>1</sup> (not included) and features a Crestron Flex tabletop conference device, collaboration camera, UC bracket assembly, PoE Injector, and cables.

### **Native Microsoft Teams® Rooms Experience**

The UC-MM30-T system brings the full Microsoft Teams Rooms UC experience to any meeting space in an enterprise or SMB facility.

### **Intuitive User Interface with Impressive Audio**

With a large 7 in. HD color touch screen and an integrated AEC-enabled USB speakerphone that affords full-duplex wideband audio performance, the Crestron Flex Tabletop Conference device (UC-2-T-V) provides a superior conferencing and collaboration experience for meeting rooms, huddle spaces, and executive offices.

### **Simplified Deployment**

The UC Bracket Assembly provides preassembled components on one ready-to-mount bracket to simplify installation. The assembly can be mounted on a wall, or it can be attached to the rear of the display device. Crestron's direct connection method further simplifies installation with a single connection from the Crestron Flex tabletop conference device to the UC Bracket Assembly.<sup>2</sup>

### **High-Definition Video Conferencing**

The included collaboration camera (CCS-CAM-USB-F-400) features an ultra wide-angle 150° diagonal field of view to capture an entire conference room in Full HD 1080p video resolution. High precision aspherical optics, 12 MP CMOS sensor, and advanced video processing ensure a clear video image free from light or noise artifacts. Genius Framing digital autozoom detects the people in the room and frames them for an optimal view.

### **Crestron Control System Integration**

The UC-MM30-T integrates with a Crestron control system to enable touch screen control of room lighting, motorized window shades, climate control, AV, and other amenities.<sup>3</sup>

### **Enterprise-Grade Security**

Crestron Flex is an enterprise-grade solution, engineered in partnership with Microsoft to integrate seamlessly into any Microsoft Teams Rooms software deployment. Crestron Flex is ideally equipped for mass deployment throughout any sized corporate, university, medical, military, or government facility.

### **Easy Provisioning and Device Management**

The XiO Cloud service is an IoT cloud based provisioning service (available separately) that enables installers and IT managers to easily deploy and manage thousands of devices. The XiO Cloud service provides system alerts, network

# UC-MM30-T

## Crestron Flex Tabletop Small Room Video Conference System for Microsoft Teams® Rooms

management and provisioning, and the pairing of a control device to the system's UC Engine. System updates are controlled by Windows® software update.

Visit [www.crestron.com/xiocloud](http://www.crestron.com/xiocloud) for additional information.

### Premium-Level Support

Crestron Flex Care is an optional subscription service that automatically renews annually, providing 24/7 live remote technical support, an extended five year warranty on Crestron® branded hardware, expedited advance replacements, and a discounted rate for on-site support.

Visit [www.crestron.com/flexcare](http://www.crestron.com/flexcare) for detailed terms and conditions and additional information.

### Dual Control Option

A TS- or TSW- 70 series 10.1 in. touch screen may be added to the solution as an additional control point for the Microsoft Teams Rooms environment.<sup>2,3</sup>

### Deployment Resources

View the [Crestron Flex Pre-Deployment Checklist](#) to help plan your Crestron Flex installation.

## Specifications

### Included Components

<b>UC-2-T-V</b>	Crestron Flex Tabletop Audio Conference System includes: <ul style="list-style-type: none"><li>PoE+ Injector, Input: 100~240VAC, Output: 48VDC, 0.5A</li><li>Cable, CAT5e, RJ-45-to-RJ-45, 12 ft (3.7 m) (x2)</li><li>Cable, USB 2.0, A - Micro B, 5.8 ft (1.8 m)</li></ul>
<b>UC-BRKT-200-S-T-ASSY</b>	UC Bracket Assembly comprised of: <ul style="list-style-type: none"><li>UC Engine: Mini PC with Microsoft Teams video</li><li>ADPT-USB-ENET: USB-to-Ethernet Adapter</li><li>HDMI® to USB 3.0 converter for content ingest</li><li>Mounting hardware</li></ul>
<b><a href="#">CCS-CAM-USB-F-400</a></b>	Collaboration Camera
<b><a href="#">CBL-4K-DP-HD-6</a></b>	DisplayPort™ to HDMI Cable, 6 ft (1.8 m); secondary display

### [CBL-CAT5E-7](#)

Ethernet LAN cable for UC Engine, RJ-45-to-RJ-45, black, 7 ft (2.1 m)

### [CBL-HD-6](#)

HDMI Interface Cable, 6 ft (1.8 m); primary display

### [CBL-HD-20](#)

HDMI Interface Cable, 20 ft (6.1 m); content sharing

### [CBL-USB-A-EXT-15](#)

USB Extension Cable, USB Type A Male-to-Female, 15 ft (4.6 m)

### [CBL-USBC-USBA-6](#)

USB 3.0 Cable, Right angle USB-C® to A, 6 ft (1.8 m)

### [DM-CBL-ULTRA-PC-20](#)

Ethernet LAN cable, CAT6a, RJ-45-to-RJ-45, blue, 20 ft (6.1 m)

### [UC-CAM-WMK](#)

Wall Mount Kit for Crestron® Cameras

## Crestron Flex Tabletop Conferencing System

<b>Touch Screen</b>	7 in. (178 mm) diagonal capacitive multi-touch TFT active matrix color LCD, 1280 x 800 pixels
<b>UI</b>	Microsoft Teams UI
<b>Mic Mute Symbol and Light Bar</b>	(4) Capacitive buttons with bi-color LEDs, toggles between mute and unmute
<b>AEC</b>	Automatic gain control, dynamic noise reduction, acoustic echo cancellation, full-duplex IEEE 1329 Type 1 compliant
<b>Speaker</b>	Full range speaker; Amplifier Power: 7 W (rated power); Output Volume: 83 ±3 dBA @1m 1 kHz; Frequency Response: 100 Hz - 20 kHz
<b>Microphones</b>	(4) Built-in omnidirectional, digital MEMS microphones with 360° audio pickup; Maximum pickup range: 10 ft (3 m) typical
<b>Occupancy Sensor</b>	Approx. 10 ft (3 m) PIR range in front of touch screen
<b>Ethernet</b>	100 Mbps, auto-switching, auto-negotiating, auto-discovery, full/half duplex, DHCP, TCP/IP, UDP/IP, CIP, SSL, TLS, SSH, SFTP (SSH File Transfer Protocol), SRTP, IEEE 802.1X, Active Directory® authentication, digest access authentication, password login, XiO Cloud client, Microsoft Intune® client, IEEE 802.3at Type 2 PoE+ compliant
<b>USB</b>	USB 2.0 micro Type B device port, supports UAC for audio interface to UC Engine (cable included)

# UC-MM30-T

## Crestron Flex Tabletop Small Room Video Conference System for Microsoft Teams® Rooms

<b>Power</b>	IEEE 802.3af Class 3 and 802.3at Class 4 PoE+ powered device; PoE+ injector included
<b>Dimensions</b>	Height: 3.02 in. (77 mm) Width: 7.17 in. (182 mm) Depth: 9.61 in. (244 mm)
<b>Weight</b>	2.1 lb (0.96 kg)

### Camera

<b>Image Sensor</b>	12 Megapixel 1/2.3 CMOS sensor
<b>Lens</b>	High precision, ultra wide angle, six element aspherical glass lens
<b>Field of View</b>	150° diagonal, 120° horizontal, 90° vertical
<b>Aperture</b>	f/2.8
<b>Autozoom</b>	Genius Framing automatic lossless digital zoom intelligently frames around people in the room
<b>Connectivity</b>	Plug-and-play USB 3.1
<b>Resolution/FPS</b>	HD 1080p @ 30 fps
<b>Dimensions</b>	Height: 1.40 in. (36 mm) Width: 1.60 in. (41 mm) Depth: 2.82 in. (72 mm)
<b>Weight</b>	4.2 oz (120 g)

### UC Bracket Assembly

<b>UC Engine</b>	Mini PC, Intel Core® processor with Windows® 10 IoT Edition OS and 100/1000 Mbps Ethernet connectivity
<b>UC Client</b>	Microsoft Teams Rooms
<b>Management Client</b>	XiO Cloud Service
<b>Content Ingest</b>	HDMI input via HDMI to USB 3.0 converter
<b>Display Output</b>	Single or dual display support <sup>1</sup>
<b>Display Output Resolution</b>	1080p
<b>Power</b>	100-240VAC, 50/60 Hz adapter (included)
<b>Construction</b>	Metal mounting bracket, black, preassembled with UC Engine and HDMI to USB 3.0 converter
<b>Mounting</b>	Surface wall mount behind the display device, or attach to the rear of the display device via the bolts attaching the display to a VESA® compliant display mount; Bracket includes mounting holes on both side edges, spaced 100, 200, and 300 mm vertically, to allow for attachment to either side of the display mounting plate
<b>Dimensions</b>	Height: 15.00 in. (381 mm) Width: 14.50 in. (368 mm) Depth: 1.87 in. (48 mm) (UC Bracket Assembly with HD-CONV-USB-200) 1.93 in. (49 mm) (UC Bracket Assembly with HD-CONV-USB-300)
<b>Weight</b>	7.7 lb (3.5 kg) (UC Bracket Assembly with HD-CONV-USB-200) 7.95 lb (3.6 kg) (UC Bracket Assembly with HD-CONV-USB-300)

### Model

#### UC-MM30-T

Crestron Flex Tabletop Small Room Video Conference System for Microsoft Teams® Rooms

### Available Accessories

For a list of available accessories, visit the [UC-MM30-T](#) product page.

Notes:

1. Display must support "Wake on Sync" and "Sleep on No Sync" functionality. Consult the display manufacturer's specifications or internal settings of the specific display.

# UC-MM30-T

## Crestron Flex Tabletop Small Room Video Conference System for Microsoft Teams® Rooms

2. Room control capability (lighting, shades, thermostats, etc.) requires additional equipment and commissioning to be provided by a Crestron authorized integrator and/or programmer. Additional costs may apply.
3. A maximum of two touch screens or one touch screen and one Crestron Mercury device can be accommodated by the system. Only one control device may be connected via direct connection method.

This product may be purchased from select authorized Crestron dealers and distributors. To find a dealer or distributor, please contact the Crestron sales representative for your area. A list of sales representatives is available online at [www.crestron.com/How-To-Buy/Find-a-Representative](http://www.crestron.com/How-To-Buy/Find-a-Representative) or contact us for additional information by visiting <https://www.crestron.com/contact/our-locations> for your local contact.

This product is covered under the Crestron standard limited warranty. Refer to [www.crestron.com/warranty](http://www.crestron.com/warranty) for full details.

The specific patents that cover Crestron products are listed online at [patents.crestron.com](http://patents.crestron.com).

Certain Crestron products contain open source software. For specific information, please visit [www.crestron.com/opensource](http://www.crestron.com/opensource).

Crestron, the Crestron logo, and XiO Cloud are either trademarks or registered trademarks of Crestron Electronics, Inc. in the United States and/or other countries. Active Directory, Microsoft Intune, Microsoft Teams, and Windows are either trademarks or registered trademarks of Microsoft Corporation in the United States and/or other countries. HDMI is either a trademark or registered trademark of HDMI Licensing LLC in the United States and/or other countries. Intel Core is either a trademark or registered trademark of Intel Corporation in the United States and/or other countries. USB-C is either a trademark or registered trademark of USB Implementers Forum, Inc. in the United States and/or other countries. DisplayPort and VESA are either trademarks or registered trademarks of Video Electronics Standards Association in the United States and/or other countries. Other trademarks, registered trademarks, and trade names may be used in this document to refer to either the entities claiming the marks and names or their products. Crestron disclaims any proprietary interest in the marks and names of others. Crestron is not responsible for errors in typography or photography.

Specifications are subject to change without notice.

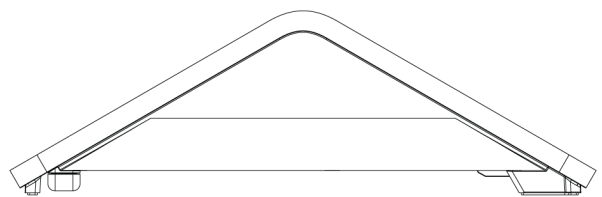
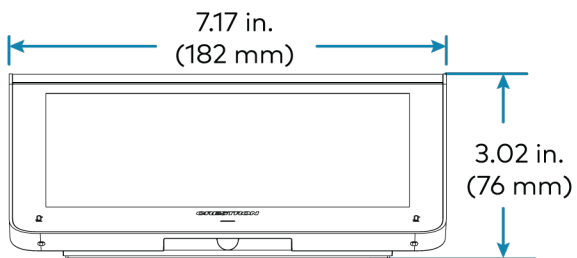
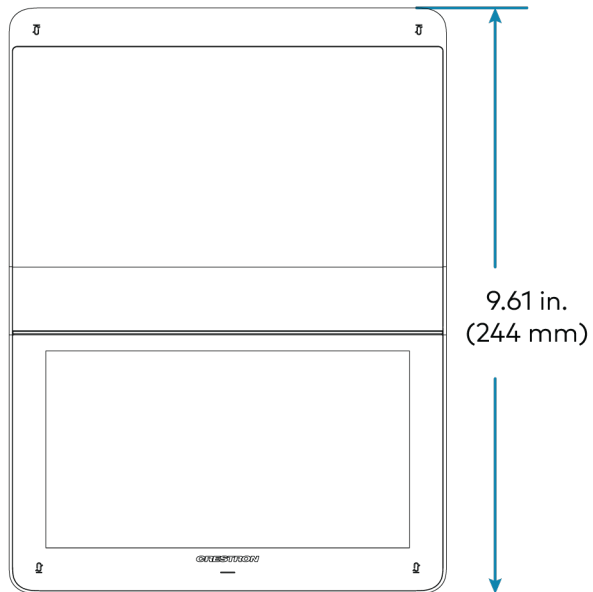
©2023 Crestron Electronics, Inc.

Rev 08/18/23

# UC-MM30-T

Crestron Flex Tabletop Small Room Video Conference System for Microsoft Teams® Rooms

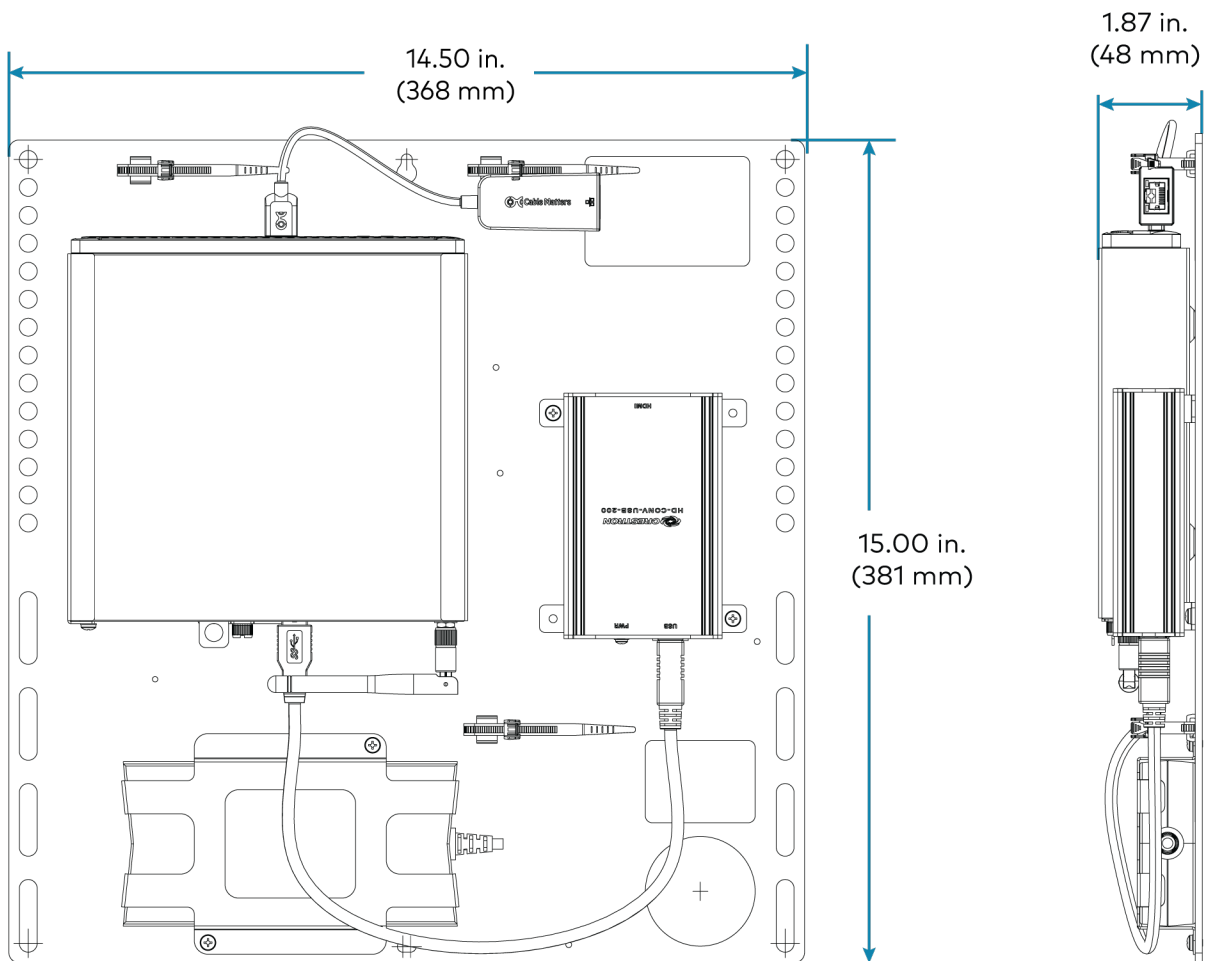
## Crestron Flex Tabletop Conferencing Device (UC-2-T-V)



# UC-MM30-T

Crestron Flex Tabletop Small Room Video Conference System for Microsoft Teams® Rooms

UC Bracket Assembly with HD-CONV-USB-200



# UC-MM30-T

Crestron Flex Tabletop Small Room Video Conference System for Microsoft Teams® Rooms

## UC Bracket Assembly with HD-CONV-USB-300

