

**Crestron MP-FSDS2**  
**FreeSpeech™ Dual Wireless Docking Station/Charger**  
**Operations & Installation Guide**



**Further Inquiries**

If you cannot locate specific information or have questions after reviewing this guide, please take advantage of Crestron's award winning customer service team by calling Crestron® at 1-888-CRESTRON [1-888-273-7876]. For assistance in your region, please refer to the Crestron Web site ([www.crestron.com](http://www.crestron.com)) for a listing of Crestron worldwide offices.

You can also log onto the online help section of the Crestron Web site ([www.crestron.com/onlinehelp](http://www.crestron.com/onlinehelp)) to ask questions about Crestron products. First-time users will need to establish a user account to fully benefit from all available features.

**Future Updates**

As Crestron improves functions, adds new features and extends the capabilities of the MP-FSDS2, additional information may be made available as manual updates. These updates are solely electronic and serve as intermediary supplements prior to the release of a complete technical documentation revision.

Check the Crestron Web site periodically for manual update availability and its relevance. Updates are identified as an "Addendum" in the Download column.

**Crestron Electronics, Inc.**  
 15 Volvo Drive Rockleigh, NJ 07647  
 Tel: 888.CRESTRON  
 Fax: 201.767.7576  
[www.crestron.com](http://www.crestron.com)

**Operations & Installation Guide - DOC. 7167A**  
**(2030246)**  
**05.11**

Specifications subject to change without notice.

**Regulatory Compliance**

As of the date of manufacture, the MP-FSDS2 has been tested and found to comply with specifications for CE marking.



**DESCRIPTION**

The MP-FSDS2 provides simplified recharging for up to two FreeSpeech™ MP-FSMIC\* wireless microphones. The unit is designed for placement on a tabletop, shelf, or in a drawer.

**MP-FSDS2 With Single MP-FSMIC Inserted**



\* Item sold separately or as part of a MP-FS100\_PAK or MP-FS200\_PAK system package.

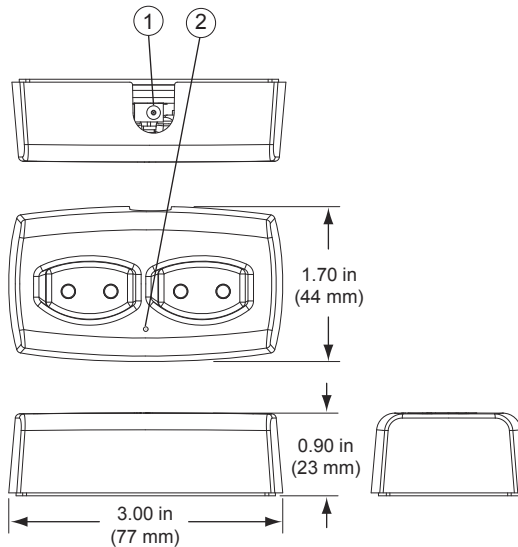
**SPECIFICATIONS**

Specifications for the MP-FSDS2 are listed in the following table.

**MP-FSDS2 Specifications**

SPECIFICATION	DETAILS
Power Requirements Power Pack	1.2 Amps @ 5 Volts DC, 100-240 Volts AC, 50/60 Hz power pack included
Environmental Temperature Humidity	41° to 104° F (5° to 40° C) 10% to 90% RH (non-condensing)
Enclosure	Plastic, matte black, weighted base
Dimensions Height Width Depth	0.90 in (23 mm) 3.00 in (77 mm) 1.70 in (44 mm)
Weight	2.1 oz (60 g)
Included Accessory Power Pack	Wall Mount, 5VDC, 1.2A, Universal

**MP-FSDS2 Overall Dimensions**



**Connectors, Controls & Indicators**

#	CONNECTORS, CONTROLS & INDICATORS	DESCRIPTION
1		(1) 1.3mm barrel DC power jack; 5 Volt DC power input (power pack included)
2	LED	(1) green LED, indicates operating power supplied from external power pack

## INSTALLATION / OPERATION

Installation/operation of the MP-FSDS2 consists of the following:

1. Select an appropriate location (tabletop, desk, shelf).
2. Connect the supplied power pack to line power and then to the MP-FSDS2.
3. The green LED on the docking station indicates power is applied.

**NOTE:** Disconnect the power pack from line power when the docking station is not in use.

4. Insert one or two MP-FSMIC\* wireless microphones into the docking station to be charged. Charging can take up to two hours. When the battery is fully charged, the mic's Status LED blinks green.

For additional information, refer to the latest version of the MP-FSMIC Installation Guide (Doc. 7166), which is available from the Crestron Web site ([www.crestron.com/manuals](http://www.crestron.com/manuals)).

\* Item sold separately or as part of a MP-FS100\_PAK or MP-FS200\_PAK system package.

## Return and Warranty Policies

### Merchandise Returns / Repair Service

1. No merchandise may be returned for credit, exchange or service without prior authorization from CRESTRON. To obtain warranty service for CRESTRON products, contact an authorized CRESTRON dealer. Only authorized CRESTRON dealers may contact the factory and request an RMA (Return Merchandise Authorization) number. Enclose a note specifying the nature of the problem, name and phone number of contact person, RMA number and return address.
2. Products may be returned for credit, exchange or service with a CRESTRON Return Merchandise Authorization (RMA) number. Authorized returns must be shipped freight prepaid to CRESTRON, 6 Volvo Drive, Rockleigh, N.J. or its authorized subsidiaries, with RMA number clearly marked on the outside of all cartons. Shipments arriving freight collect or without an RMA number shall be subject to refusal. CRESTRON reserves the right in its sole and absolute discretion to charge a 15% restocking fee plus shipping costs on any products returned with an RMA.
3. Return freight charges following repair of items under warranty shall be paid by CRESTRON, shipping by standard ground carrier. In the event repairs are found to be non-warranty, return freight costs shall be paid by the purchaser.

### CRESTRON Limited Warranty

CRESTRON ELECTRONICS, Inc. warrants its products to be free from manufacturing defects in materials and workmanship under normal use for a period of three (3) years from the date of purchase from CRESTRON, with the following exceptions: disk drives and any other moving or rotating mechanical parts, pan/tilt heads and power supplies are covered for a period of one (1) year; touch screen display and overlay components are covered for 90 days; batteries and incandescent lamps are not covered.

This warranty extends to products purchased directly from CRESTRON or an authorized CRESTRON dealer. Purchasers should inquire of the dealer regarding the nature and extent of the dealer's warranty, if any.

CRESTRON shall not be liable to honor the terms of this warranty if the product has been used in any application other than that for which it was intended or if it has been subjected to misuse, accidental damage, modification or improper installation procedures. Furthermore, this warranty does not cover any product that has had the serial number altered, defaced or removed.

This warranty shall be the sole and exclusive remedy to the original purchaser. In no event shall CRESTRON be liable for incidental or consequential damages of any kind (property or economic damages inclusive) arising from the sale or use of this equipment. CRESTRON is not liable for any claim made by a third party or made by the purchaser for a third party.

CRESTRON shall, at its option, repair or replace any product found defective, without charge for parts or labor. Repaired or replaced equipment and parts supplied under this warranty shall be covered only by the unexpired portion of the warranty.

Except as expressly set forth in this warranty, CRESTRON makes no other warranties, expressed or implied, nor authorizes any other party to offer any warranty, including any implied warranties of merchantability or fitness for a particular purpose. Any implied warranties that may be imposed by law are limited to the terms of this limited warranty. This warranty statement supersedes all previous warranties.