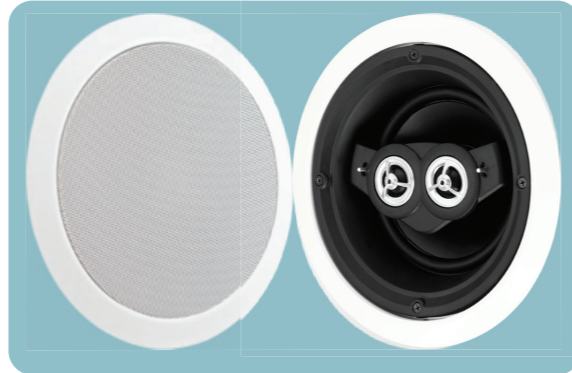


Excite™ speakers by Crestron® offer excellent sound quality and flexible installation in a range of popular sizes and configurations.

The Excite IC6DT model provides a single in-ceiling loudspeaker featuring a 6.5 inch (165 mm) dual voice coil woofer and dual 0.79 inch (20 mm) dome tweeters.

The Excite IC6DT affords stereo sound in the space of a single speaker, perfect for bathrooms and other small spaces.

The white textured finish blends cleanly into any neutral-colored ceiling, and may be painted for an inconspicuous appearance against any colored surface.



1 Installation

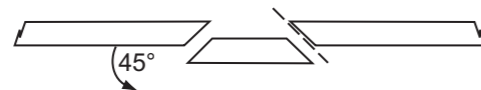
Determine Placement In Room

Speaker placement is largely a matter of personal preference. However, for best sound quality, it is recommended that the speaker not be located in a corner area or near one wall.

Prepare Mounting Holes

Before finalizing the speaker location, check to make sure there are no fixtures, pipes, air ducts, joists, or other possible obstructions. Use a good quality stud finder to locate joists. If there is no access to the area above the ceiling, and it is uncertain that there are no obstructions, carefully drill a small hole just through the ceiling near the middle of the proposed speaker location and use one of the commercially available inspection devices designed for this purpose, or do one of the following:

- Use a piece of stiff wire, bent into an “L” shape, with one end long enough to explore an area equal to the size of the speaker with the toggle clamps extended. Insert the wire into the hole, make sure it rotates freely in a complete circle and that there is sufficient depth, **or**
- Use a drywall saw to cut a small hole at a 45° angle toward the inside of the hole. An angle cut simplifies repair since the removed piece can be reinserted to help plug the hole.



If there are no obstructions, use the supplied template to trace outlines of the mounting hole on the ceiling. Cut the final mounting hole at a 90° angle to the ceiling.



Paint the Speaker/Grille

Speaker rim and/or grille painting should be done prior to mounting.

1. Leave the painting plug installed in the front of the speaker.
2. Carefully remove the material on the underside of the grille and set it aside for reinstallation. It may be necessary to use a knife or other sharp instrument to free an edge of the material so it can be peeled away. Use care to avoid cutting the material.
3. Dry brush or lightly spray the surface to be painted. Use care to avoid clogging the holes in the grille.

Install Cables

Run the cables from the audio source to the speaker location following all appropriate local codes. Strip the ends of the speaker cable wires 1/4” to 1/2” (6 mm to 12 mm) and twist the exposed strands.

Mount/Remove Speaker

The in-ceiling speaker includes four toggle clamps and four stabilizing spring clips that simplify the mounting process. If the grille is mounted on the speaker, remove it before proceeding. (Refer to “Install/Remove Grille”, below.)

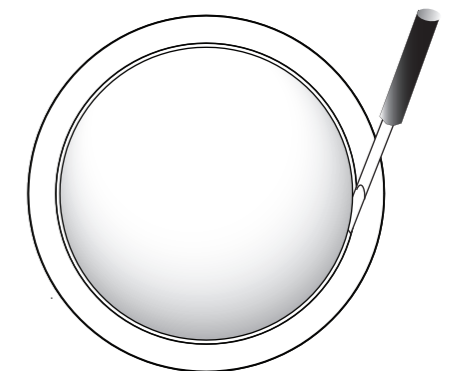
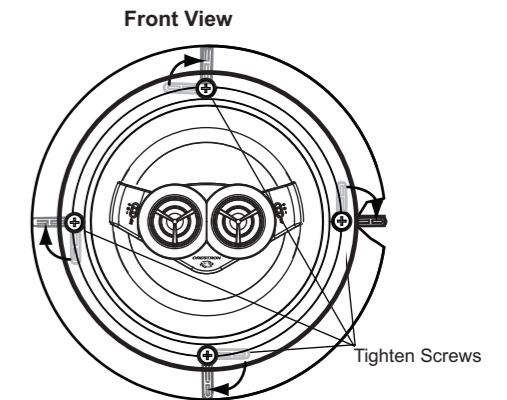
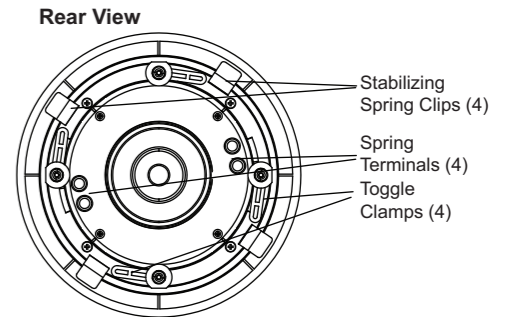
1. Connect the speaker cable wires to the spring terminals by pressing the top of the terminals down and inserting the exposed strands into the hole. Make sure that left and right channels are connected to the left and right tweeter terminals, respectively, and that the + wires go to the + (red coded) terminals, and the – wires go to the – (black coded) terminals.
2. With the toggle clamps turned inward, insert the speaker into the opening; the stabilizing spring clips help to hold the speaker in place. As the four screws on the front of the speaker are tightened, the toggle clamps first rotate into clamping position (refer to the figure to the right) and then begin holding the speaker to the ceiling. Tighten the screws until the speaker is secure; do not overtighten.
3. Speaker removal is accomplished by reversing the procedures given in steps 1 and 2 above.
 - a. Loosen the front screws to unclamp the speaker. Continue to loosen the screws until the toggle clamps rotate inward.
 - b. When the speaker is loose, carefully reach up into the opening and press the spring clips inward so the speaker can be removed from the opening.
 - c. Disconnect the wires from the terminals.

Install/Remove Grille

To install the grille, place it in position and carefully press until the surface of the grille is flush with the surface of the outer flange.

To remove the grille, insert a slim, flat-blade screwdriver between the grille and the outer flange, and carefully pry the grille up and out.

It may be necessary to press one or more of the mounting screws and toggle clamps toward the front to push the grille free of the flange.



2 Adjustments

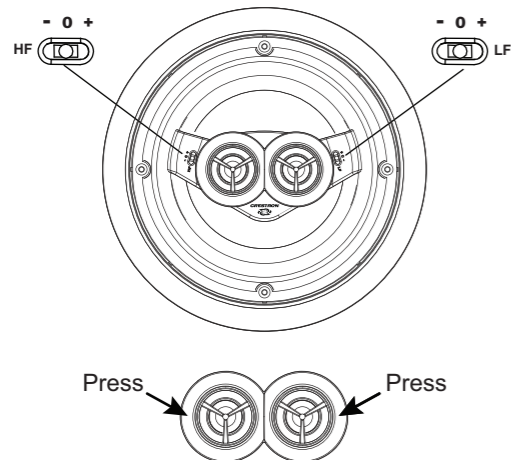
Frequency Settings

Adjusting the high and low frequency range switch settings (refer to illustration below) is largely a matter of personal preference.

The settings produce the following results.

- : Reduces the selected range loudness
- 0: Loudness remains neutral
- +: Increases the selected range loudness

The recommended setting for the low frequency range (LF) switch is - to reduce bass when the speaker is in a corner, + to increase bass when the speaker is not near a wall or ceiling corner, and 0 (neutral) when the speaker is near one wall or ceiling corner.



Aiming the Tweeter

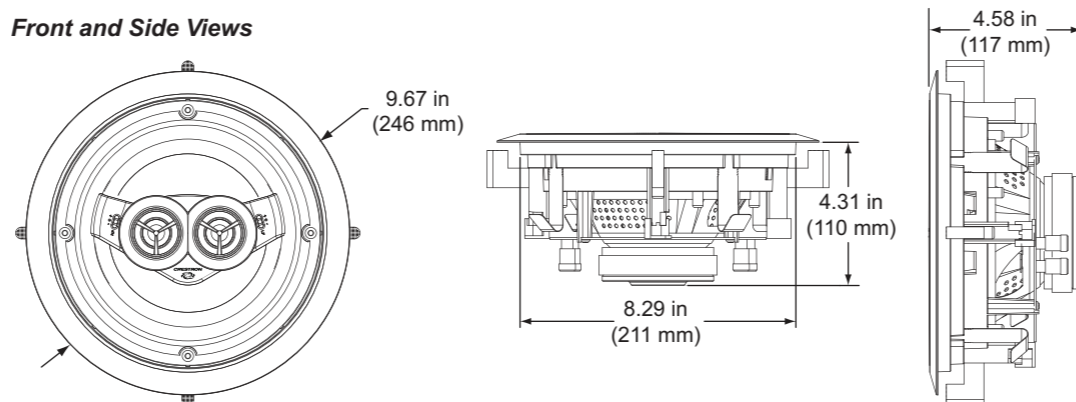
The tweeters can be aimed by gently pressing on the plastic ring around the tweeter dome. (Refer to the illustration above.)

3 Specifications

IC6DT Specifications

SPECIFICATION	DETAIL
Woofer	1
Size	6.50 in (165 mm) dual voice coil
Material	Polypropylene
Tweeter	2
Size	0.79 in (20 mm)
Material	Treated cloth dome
Surround Material	Rubber
Minimum Performance	
Frequency Response (-3 dB)	55 Hz - 20 kHz
Power Handling (Program)	75 W per channel
Sensitivity (1W @ 1m)	89 dB
Electrical	
Bass Switch	Yes
Tweeter Switch	Yes
Impedance / Voltage	8 Ohm
Crossover Type	2nd Order L-R
Terminations	Spring Terminals
Mechanical	
Baffle Material	ABS plastic
Mounting System	Toggle Clamps
Mounting Feature	Suspension Hangers
Grill Material	Aluminum
Swivel Tweeters	Yes
Paint Mask	Yes X2
Basket Material	Steel
Maximum Depth	4.58 in (117 mm)
Available Colors	White
Dimensions	
Diameter	9.67 in (246 mm)
Installed Diameter	8.29 in (211 mm)
Installed Depth	4.31 in (110 mm)
Weight	4.6 lbs (2.1 kg)
Environmental	
Temperature	41° to 104° F (5° to 40° C)
Humidity	10% to 90% RH (non-condensing) for indoor use only

Front and Side Views



4 Problem Solving

Troubleshooting

The following table provides corrective action for possible trouble situations. If further assistance is required, please contact a Crestron customer service representative.

TROUBLE	POSSIBLE CAUSE(S)	CORRECTIVE ACTION
No sound or intermittent sound from speakers.	Cable connection error.	Verify cable connections between amplifier and speakers.
	Amplifier not receiving input signal or amplifier malfunction.	Verify amplifier is functioning correctly, that it is receiving an input signal and that correct input source is selected.
Constant noise such as buzz, hum, or hiss from speakers.	Faulty device in system.	Verify all devices in system are functioning properly.
	System grounding fault.	Verify system grounding.
Poor low frequency output.	Incorrect polarity connection at speaker.	Verify speaker connection polarity (+ and - on speaker to + and - on amplifier).

Further Inquiries

To locate specific information or resolve questions after reviewing this guide, contact Crestron's True Blue Support at 1-888-CRESTRON [1-888-273-7876] or refer to the listing of Crestron worldwide offices on the Crestron Web site (www.crestron.com/offices) for assistance within a particular geographic region.

To post a question about Crestron products, log onto the Online Help section of the Crestron Web site (www.crestron.com/onlinehelp). First-time users must establish a user account to fully benefit from all available features.

Future Updates

Check the Crestron Web site periodically for manual update availability and its relevance. Updates are identified as an "Addendum" in the Download column.

The specific patents that cover Crestron products are listed at patents.crestron.com.

Crestron, the Crestron logo, and Excite are either trademarks or registered trademarks of Crestron Electronics, Inc. in the United States and/or other countries. Other trademarks, registered trademarks, and trade names may be used in this document to refer to either the entities claiming the marks and names or their products. Crestron disclaims proprietary interest in the marks and names of others.
©2012 Crestron Electronics, Inc.