

# MPC3-101/102/201-RMB

## Retrofit Mounting Bracket for MPC3-101, MPC3-102, and MPC3-201

The Crestron® MPC3-101/102/201-RMB retrofit mounting bracket provides a mounting solution for upgrading an older MPC-M5 device to the latest MPC3-101, MPC3-102, or MPC3-201 3-Series® media presentation controller. The MPC3-101/102/201-RMB mounts over an existing cutout for a wall mounted MPC-M5.

### Check the Box

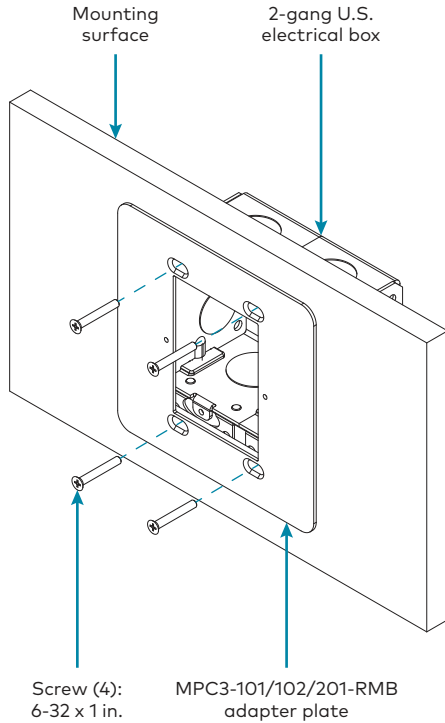
Item	Qty
<b>MPC3-101/102/201-RMB</b>	1
Plate, Metal, Adapter, White (P/N 2051025)	1
Plate, Metal, Cover, White (P/N 2051026)	1
Screw, 4-40 x 1/2 in., Pan Head, Phillips (P/N 2007177)	2
Screw, 6-32 x 1 in., Undercut Head, Phillips (P/N 2051398)	4

### Install the Mounting Bracket

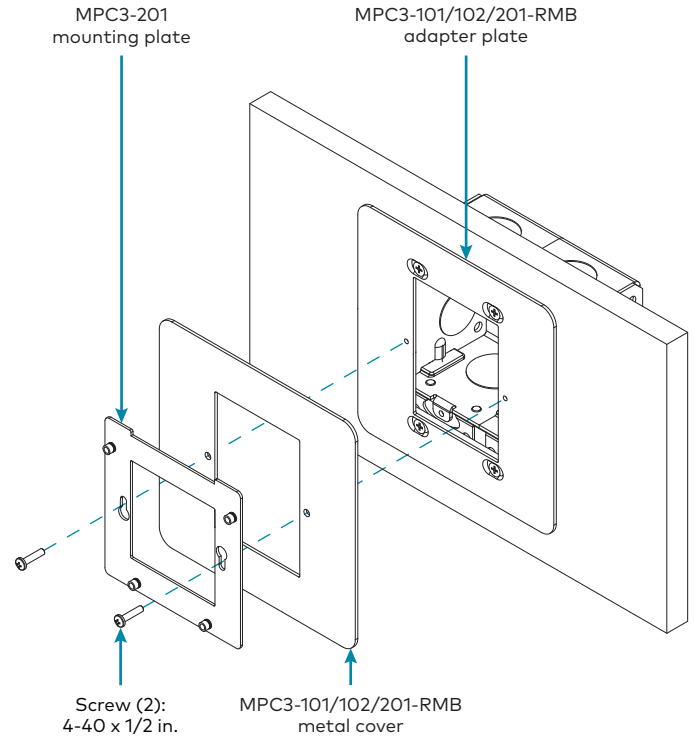
The MPC3-101/102/201-RMB mounts over a 2-gang U.S. electrical box.

To install the MPC3-101/102/201-RMB:

1. Use the four included 6-32 x 1 in. screws to attach the MPC3-101/102/201-RMB adapter plate to the 2-gang U.S. electrical box.



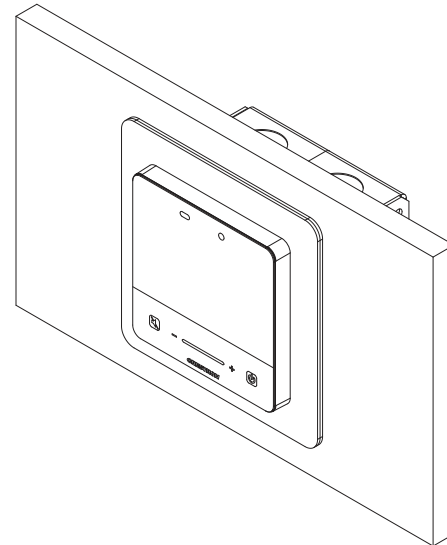
2. Use the two included 4-40 x 1/2 in. screws to attach the MPC3 mounting plate (included with the MPC3 device) and the included metal cover to the adapter plate. The MPC3-201 mounting plate is shown in the illustration below as an example.



### Complete the Installation

Complete the MPC3 device installation as described in the appropriate document at [www.crestron.com/manuals](http://www.crestron.com/manuals).

- For the MPC3-101 and MPC3-102, refer to the MPC3-101/MPC3-102 Quick Start (Doc. 8424).
- For the MPC3-201, refer to the MPC3-201 DO Guide (Doc. 7876).



## >> For Additional Information

Scan or click the QR code for detailed product information.



MPC3-101/102/201-RMB

### Compliance and Legal

**Original Instructions:** The U.S. English version of this document is the original instructions. All other languages are a translation of the original instructions.

The product warranty can be found at [www.crestron.com/warranty](http://www.crestron.com/warranty).

The specific patents that cover Crestron products are listed at [www.crestron.com/legal/patents](http://www.crestron.com/legal/patents).

Certain Crestron products contain open source software. For specific information, please visit [www.crestron.com/opensource](http://www.crestron.com/opensource).

Crestron, the Crestron logo, and 3-Series are either trademarks or registered trademarks of Crestron Electronics, Inc. in the United States and/or other countries. Other trademarks, registered trademarks, and trade names may be used in this document to refer to either the entities claiming the marks and names or their products. Crestron disclaims any proprietary interest in the marks and names of others. Crestron is not responsible for errors in typography or photography.

©2019 Crestron Electronics, Inc.

**Crestron Electronics, Inc.**  
15 Volvo Drive, Rockleigh, NJ 07647  
Tel: 888.CRESTRON  
Fax: 201.767.7576  
[www.crestron.com](http://www.crestron.com)

**Quick Start - Doc. 8316C  
(2053166)  
01.19**

Specifications subject to  
change without notice.