

CCS-UC-200-WMT KIT

Crestron RL™ 2 Group Collaboration System for Lync®

Crestron RL™ 2 is an advanced group collaboration solution for conference rooms and huddle spaces that combines Crestron® hardware with Microsoft® Lync® software. Microsoft Lync offers an enterprise-ready unified communications platform capable of delivering presence, instant messaging, voice, and video across the network or Internet using computers and mobile devices. Crestron RL 2 extends the Lync experience to the conference room so groups can communicate and collaborate in real time from multiple locations. Crestron RL 2 combines the intuitive room control solutions of Crestron with the unified communication and collaboration features of Microsoft Lync 2013.

1 Preparation

A. Verify Contents

Before starting installation, check the system package contents. Included items and quantity supplied for each of the six kit configurations are listed in the following cross-reference chart. Retain all documents and parts supplied for use in the installation process.

Items Supplied per Kit

Description	Part Number						
		CCS-UC-200-WMT KIT	CCS-UC-200-WMT-DUAL KIT	CCS-UC-200-WMT-MED-1 KIT	CCS-UC-200-WMT-MED2 KIT	CCS-UC-200-WMT-LG-1 KIT	CCS-UC-200-WMT-LG-2 KIT
TOUCH SCREEN, COLOR, 10"	TS-1051-C-B-S	1	1	1	1	1	1
CRESTRON COLLAB SYS CODEC	CCS-UC-CODEC-200	1	1	1	1	1	1
TOUCH SCREEN, COLOR, 60"	CCS-TS-6000			1	2		
TOUCH SCREEN, COLOR, 70"	CCS-TS-7000					1	2
WALL MOUNT KIT	CCS-TS-6500-WMK	1	1	1	1	1	1
CAMERA	CCS-CAM-USB-F-100-SHROUD	1	1	1	1	1	1
SOUND BAR SPEAKER	CCS-SPK-SB-100-B	1	1	1	1	1	1
MIC	CCS-MIC-USB-100	1	1	1	1	1	1
BRACKET, PWR	CCSA-BRKT-200-ASSY	1	1	1	1	1	1
BRACKETS, MOUNTING	CCSA-BRKT-MOUNTS-200	1	1	1	1	1	1
CABLE, HDMI, 3'	CBL-HD-3	1	1	1	1	1	1
CABLE, HDMI, 20'	CBL-HD-20	2	2	2	2	2	2
CABLE, VGA WITH AUDIO, 25'	CBL-VGA-AUD-25	1	1	1	1	1	1
CABLE, RCA2, 3'	CBL-RCA2-3	1	1	1	1	1	1
CABLE, USB A TO B, MALE, 3'	CBL-USB-A-B-3	1	1	1	1	1	1
CABLE A TO B, MALE, 10'	CBL-USB-A-B-10	1	1	1	1	1	1
CABLE, CAT6, 14'	CBL-CAT6-14	1	1	1	1	1	1

B. Tools Required

A #1 or #2 Phillips screwdriver and a socket wrench with 1/2" and 7/16" sockets.

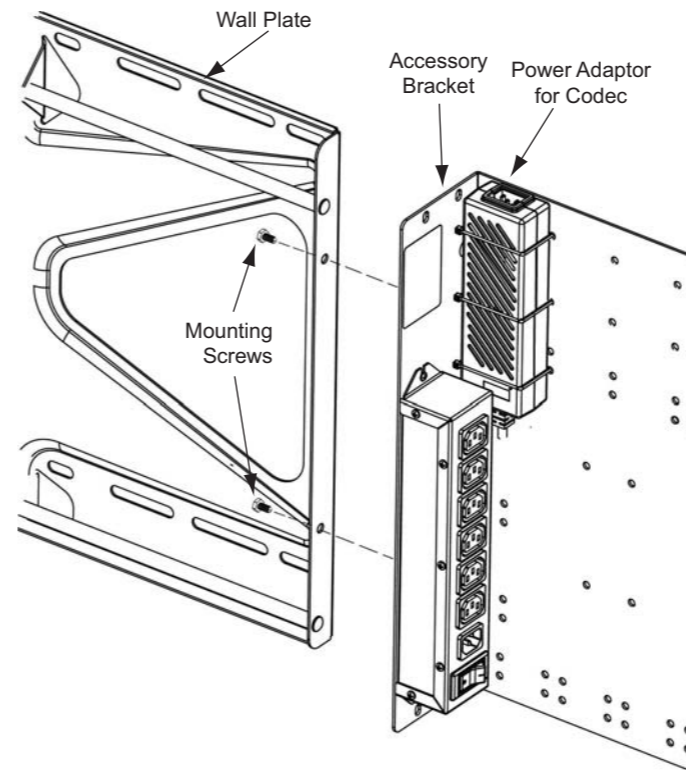
2 Installation

NOTE: Mounting hardware is packaged with the parts and assemblies to be attached.

Typical CCS-UC-200 installation procedures are provided in steps A through F. For detailed information about the CCS-TS-6500 Tilting Wall Mount for 65" Display, refer to the included CCS-TS-6500-WMK Installation Guide (Doc. 7511).

A. Install Accessory Bracket Assembly

1. Use the supplied 1/4-20 x 1/2 in mounting screws to attach the accessory bracket assembly to the wall plate (part of the CCS-TS-6500).



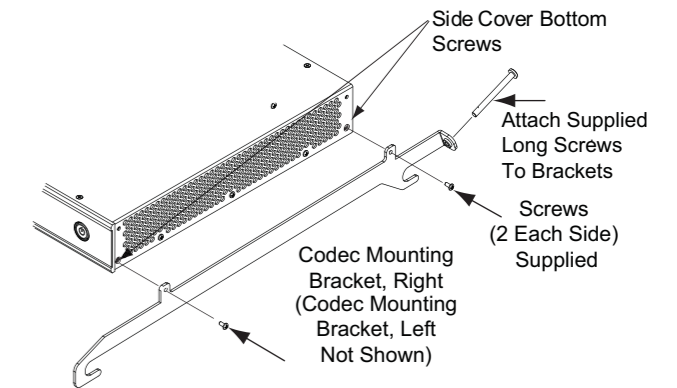
2. Use supplied plastic ties to attach the power adaptor to the accessory bracket assembly as shown.

B. Install Wallmount Assembly

1. Install the Wallmount Assembly in the desired location following the instructions given in the CCS-TS-6500-WMK Installation Guide (Doc. 7511).

C. Install Mounting Brackets on Codec

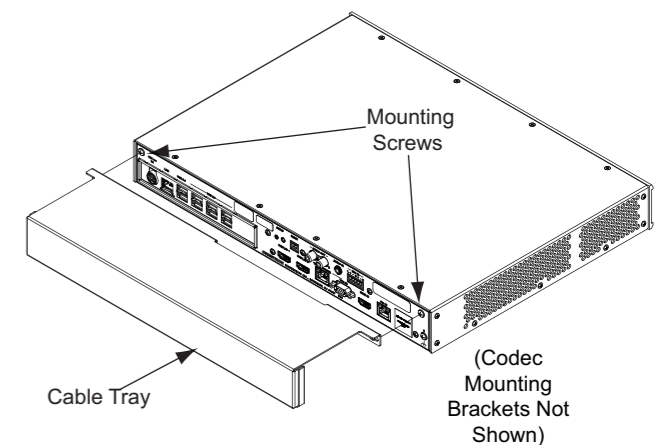
1. Remove two side cover bottom screws from each side of the codec and discard them.
2. Attach right and left codec mounting brackets to codec using the supplied screws.



D. Install Cable Tray

Attach the supplied cable tray to the rear of the codec as follows:

1. Attach all interface and power cables to the rear of the codec. (Refer to the connection details on page 3.)
2. Route the cables right or left toward their intended termination point, and bundle them with plastic ties as necessary.
3. Loosen the two screws indicated in the illustration below approximately 1/4" (6 mm).
4. Mount the cable tray on the screws, slide the tray to the left to engage the keyhole slots, and tighten the screws.



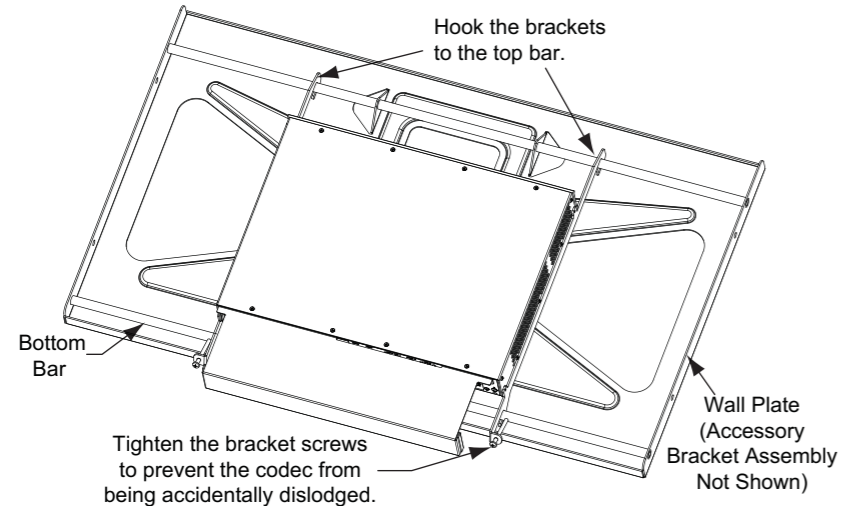
CCS-UC-200-WMT KIT

Crestron RL™ 2 Group Collaboration System for

2 Installation (Continued)

E. Attach Codec to the Wall Plate

1. Hook the mounting brackets attached to the codec to the top bar of the wall plate.
2. With the brackets resting against the bottom bar, tighten the bracket screws until they hit the bottom bar to secure the codec in position.



F. Attach the System Components to the Wall Mount Assembly

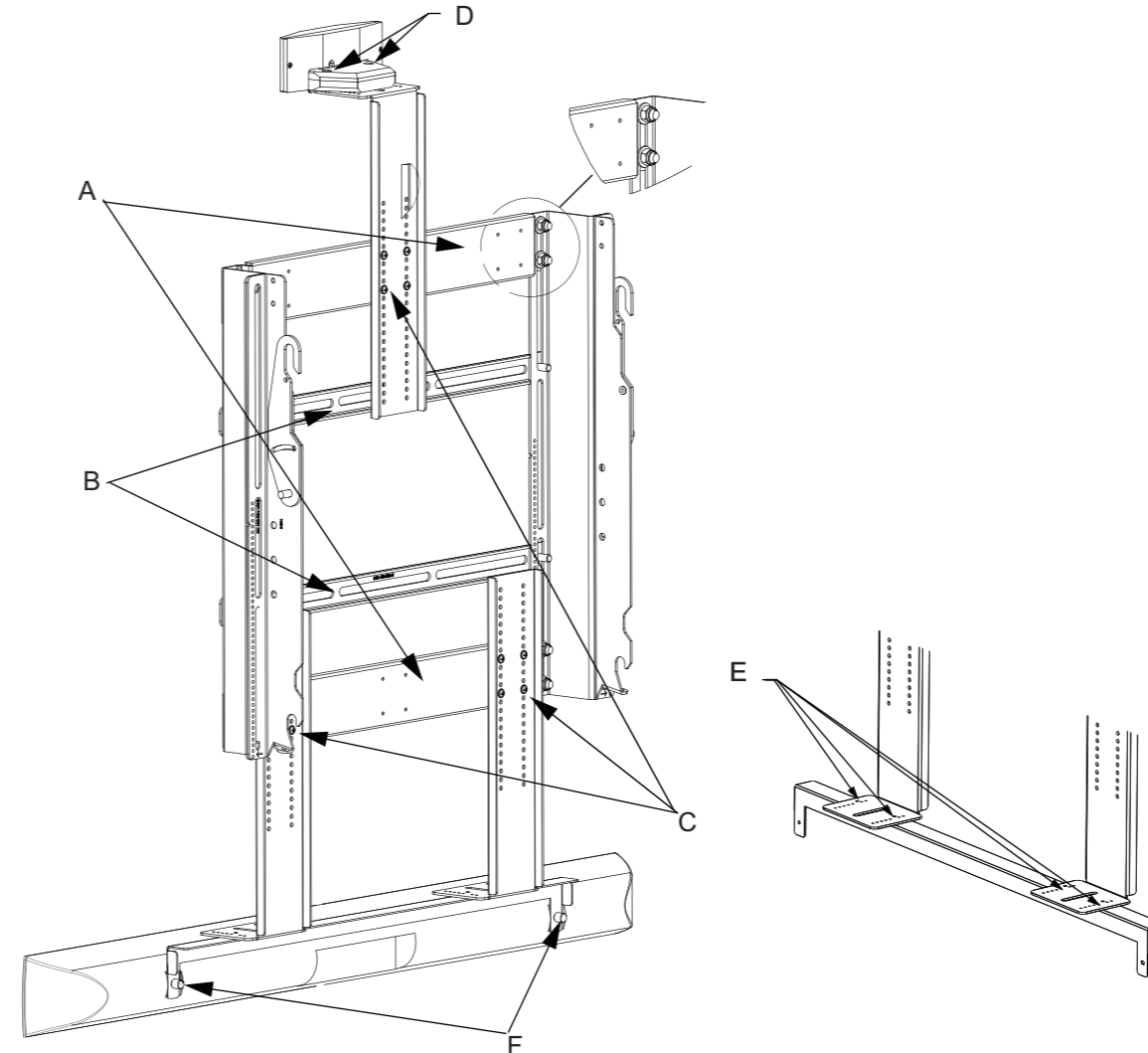
Refer to the adjacent illustrations and attach the mounting brackets, monitor, camera, and sound bar to the wall mount assembly. (Refer also to the CCS-TS-6500-WMK Installation Guide Doc. 7511.)



WARNING: At least two qualified people should perform the mounting procedures. Personal injury and property damage can result from dropping or mishandling the flat panel.

1. Attach each of the two horizontal wall mount brackets (A) to the wall mount assembly with four 5/16-18 locknuts and washers, supplied, as shown.
2. Place the flat panel display (not supplied) face down on a flat surface covered with appropriate material to prevent damage to the screen.
3. Place the wall mount assembly down over the rear of the display and adjust the position of the slots in the display mounting brackets (B) to align with the mounting holes on the display.
4. Attach the three camera and sound bar brackets (C) to the two horizontal wall mount brackets using four 6-32 X1/2" screws, supplied. Position these brackets such that their extension arms are close to the display frame.

5. Remove the screen clamp, lockwasher, and screw (not required) from the bottom of the camera, and attach it to the upper bracket extension arm using two 6-32 X 3/4" screws (D), supplied.



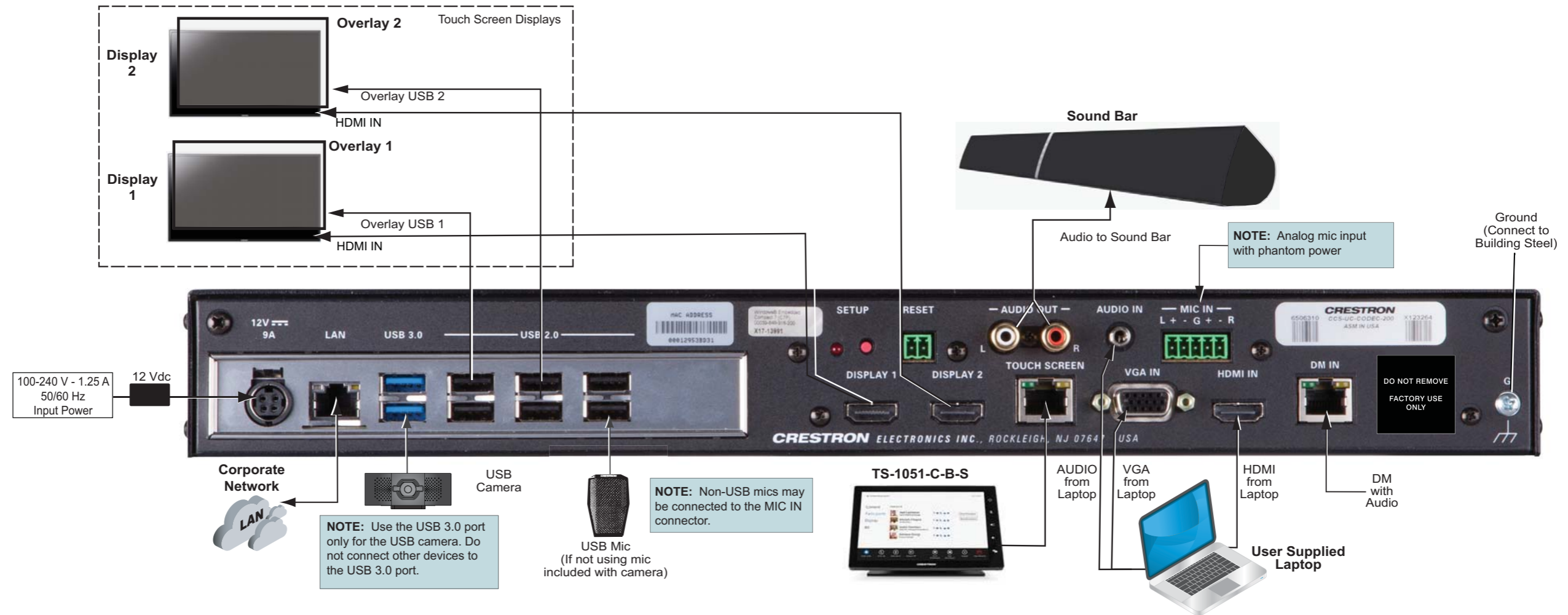
6. Use four screws (E) to attach the sound bar bracket to the lower mounting brackets extension arms.
7. Remove the two screws and mounting brackets from the rear of the sound bar as supplied. Use thumbscrews (F) provided to attach the sound bar to the sound bar bracket.

(Continued on the following sheet)

CCS-UC-200-WMT KIT

Crestron RL™ 2 Group Collaboration System for Lync®

3 Hookup (Typical)



CCS-UC-200-WMT KIT

Crestron RL™ 2 Group Collaboration System for Lync®

4 Initial Setup

Prerequisite Items from the Lync System Administrator

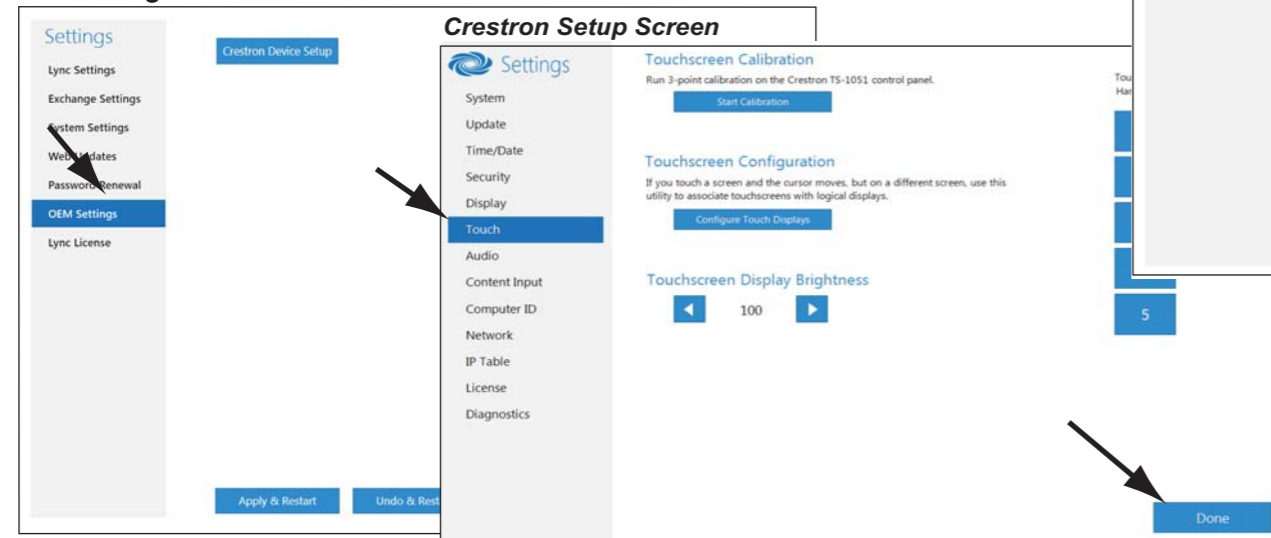
- A working Office 2013 Lync account that has been tested with a non-domain attached PC to be used as the Lync room system's account
- If using an Office 2013 Lync account, a valid root certificate for the Lync network on a USB flash drive (e.g., root.cer)
- A USB keyboard and mouse for setup only
- (Optional) A valid Outlook® Web Access (OWA) account for non-domain attached PCs (This may not need to be used but should be on hand.)

Operation

Once the hardware is installed and all appropriate hookup connections are completed, including a USB keyboard and mouse for setup procedures, apply power to the system and perform the following steps.

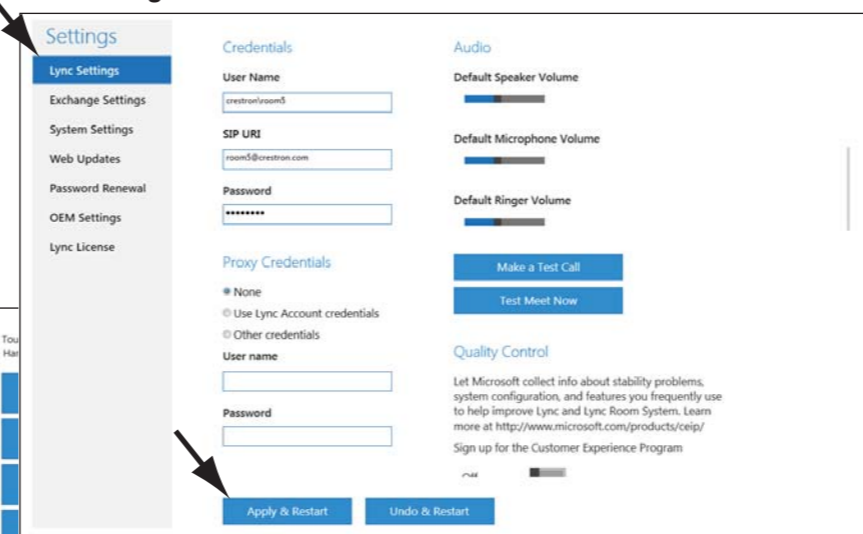
1. On the TS-1051-C-B-S login in screen, enter the default administrator username **Administrator** and password **Crestron12345678#** to log in.
2. Click the **Accept** button on the End User License Agreement (EULA) screen that appears. A second EULA is displayed. Click **Accept** on this screen to close it.
3. When the Microsoft LRS (Lync Room System) configuration screen appears, click the **OEM Settings** tab, and then click the **Crestron Device Setup** button to open the Crestron setup screen.
4. Click the **Time/Date** tab, select the proper time zone from the drop-down menu, and then set the time and date of the installation. The Lync server does not allow the client to authenticate if the time zone is incorrect.
5. Click the **Touch** tab, and then click the **Configure Touch Displays** button to run the Windows® touch screen setup utility. Follow any on-screen instructions. Upon completion, touch control is functional on the TS-1051-C-B-S display and any other touch displays attached to the system.

LRS Configuration Screen



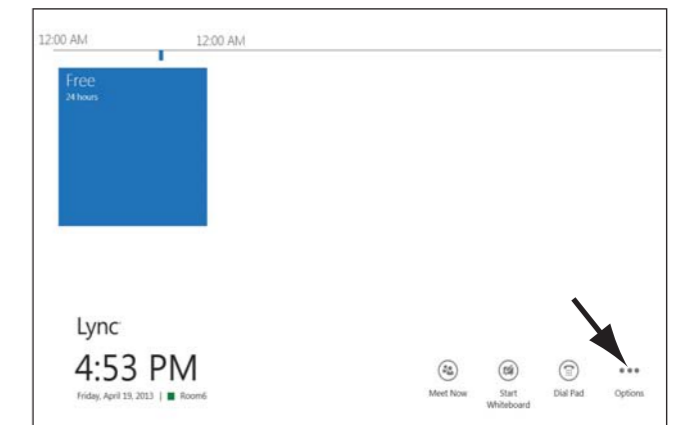
6. To use a root certificate for the Lync network, install a USB flash drive containing the root certificate into a USB port on the rear of the codec. Touch the **Security** tab, and then touch **Import**. A standard Windows dialog box opens. Navigate to the certificate on the USB flash drive, select it, and touch **Open**. A message appears indicating that the import was successful. Touch the **Done** button on the bottom of the setup screen. The display returns to the Microsoft LRS configuration screen. Alternatively, if attaching the codec to a domain, touch **Computer ID**, touch the **Domain** button, enter the domain name, and then touch **Join**.
7. Touch the **Lync Settings** tab. Obtain the necessary Lync credential information from the site IT department and enter it into the **User Name**, **SIP URI**, and **Password** fields. The user name is in the format *domain\username* and the SIP URI is in the format *username@domain.com*. If NOT attached to a domain, enter the user name and password only.
8. Touch the **Apply & Restart** button at the bottom of the screen.
9. The system reboots to the LRS screen and all displays should have the correct information. (This may take 30 to 40 seconds.)
10. If it is necessary to change any settings, touch **Options** in the lower right corner of the 10" touch screen. On the menu that appears, touch **Settings**.
11. On the authentication screen that appears, enter the administrator user name and password for the system, and then touch **Authenticate**. The system reboots and a login screen appears on the 10" touch screen.
12. Repeat steps 3 through 8 as necessary.

LRS Configuration Screen

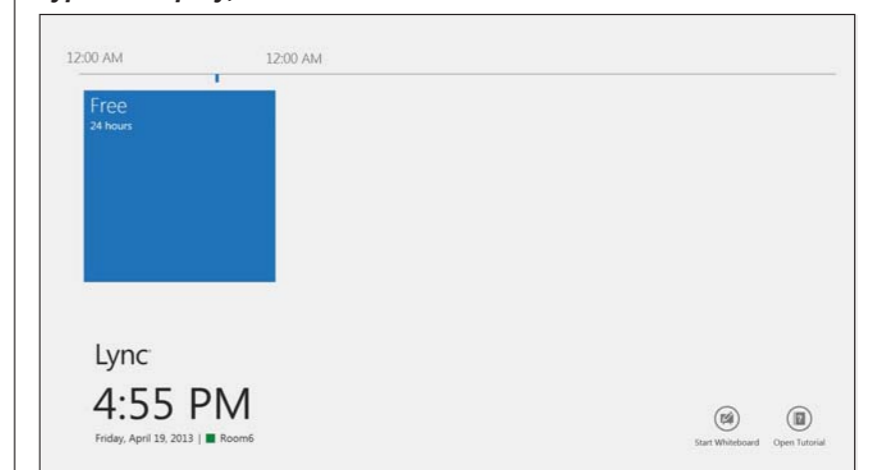


NOTE: Whenever a display change is made, repeat step 5 to ensure that the touch inputs are properly configured. Otherwise, it is possible for touch inputs from both the large screen and the control display to control the cursor on the control display.

Typical Display, 10" Touch Screen



Typical Display, 65" Touch Screen



The specific patents that cover Crestron products are listed at patents.crestron.com.

Crestron, the Crestron logo, and Crestron RL are either trademarks or registered trademarks of Crestron Electronics, Inc. in the United States and/or other countries. Lync, Microsoft, Outlook, and Windows are either trademarks or registered trademarks of Microsoft Corporation in the United States and/or other countries. HDMI is either a trademark or registered trademark of HDMI Licensing LLC in the United States and/or other countries. Other trademarks, registered trademarks, and trade names may be used in this document to refer to either the entities claiming the marks and names or their products. Crestron disclaims any proprietary interest in the marks and names of others. *Crestron is not responsible for errors in typography or photography.*

This document was written by the Technical Publications department at Crestron.
©2015 Crestron Electronics, Inc.