

FT2A-PWR-UK Series AC Power Outlet Modules for FT2 Series

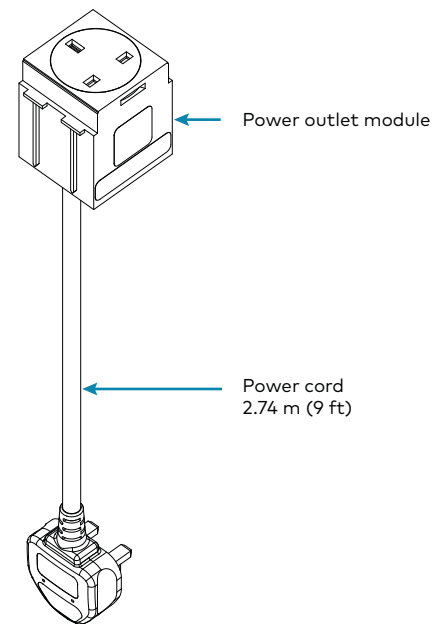
The Crestron® FT2A-PWR-UK-1-BASIC and FT2A-PWR-UK-2 are modules designed for installation in Crestron FT2 FlipTop™ cable management assemblies.

The outlet modules provide up to 2 UK Type G AC power outlets on top of the table. A 2.74 meter (9 foot) power cord is fixed to the bottom of the module. The premium UK power module (FT2A-PWR-UK-2) provides two under-the-table receptacles for power switchers, HDBaseT® transmitters, chargers, and other devices. Each module is rated for 10 amps (total) at 220-240 V, 50/60 Hz. The following table provides a size and feature comparison among models.

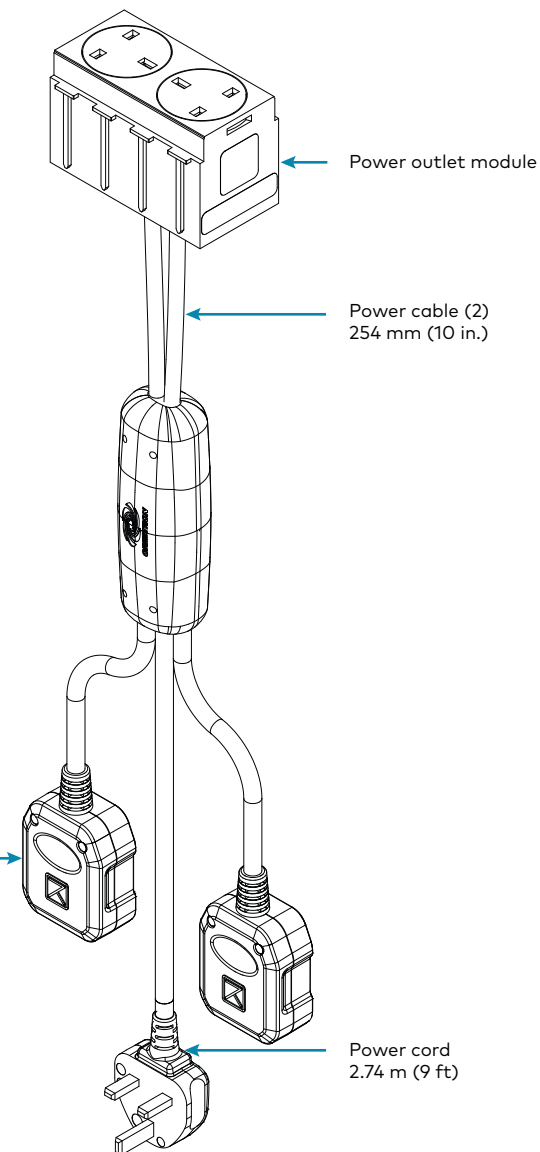
Model	Module Slots Required	Outlets Atop the Table	Outlets Beneath the Table
FT2A-PWR-UK-1-BASIC	2	1	None
FT2A-PWR-UK-2	4	2	2

The illustrations below show the FT2A-PWR-UK-1-BASIC and FT2A-PWR-UK-2 power modules.

FT2A-PWR-UK-1-BASIC



FT2A-PWR-UK-2



Check the Box

Item	Qty
FT2A-PWR-UK-1-BASIC or FT2A-UK-PWR-2	1

Install the Module

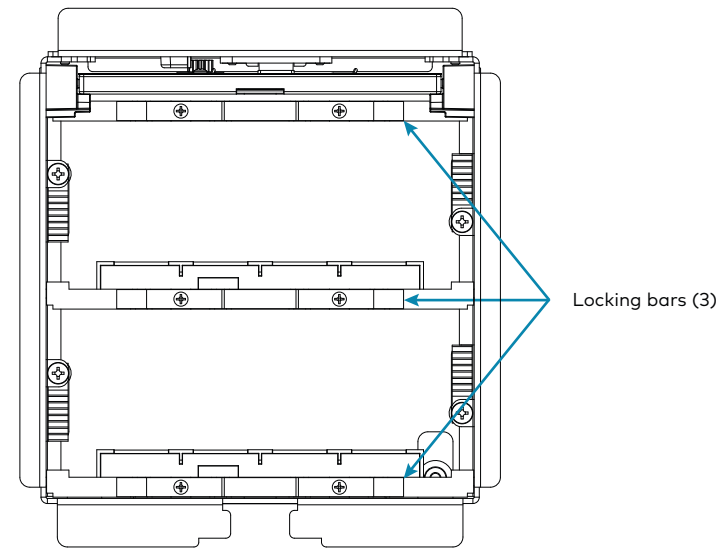
Install the power module into the FT2 FlipTop assembly. If the bezel and locking bars have not been installed on the FT2 FlipTop assembly, skip to step 5.

NOTE: For ease of installation, install power outlet modules before installing any other module.

To install the power outlet module:

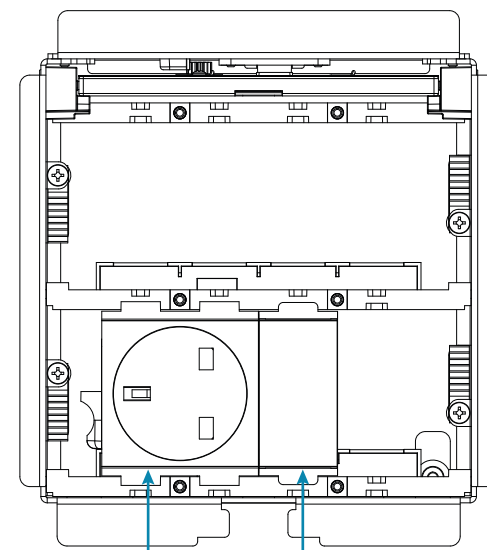
1. Tap the lid retraction button to retract the one-touch lid, which disappears into the FT2 FlipTop assembly. If the assembly has two lids, retract both.
2. Remove and retain the magnetic bezel from the FT2 FlipTop assembly by grasping the inside of the bezel and firmly pulling it up and away from the assembly until the magnetic hold is broken.
3. Use a manual torque screwdriver to unscrew, remove and retain the two locking bars on either side of the module row where the module is to be installed.

Remove Two Locking Bars



4. Lift and remove the modules to be replaced.
5. Insert the new module's power cable(s) through the empty module slots.
6. Orient the module as shown in the following illustration and slide it down into the appropriate module slots. Use the guide ribs on the front and rear of the module to help position it in the assembly.

Position the Module (FT2A-PWR-UK-1-BASIC shown)

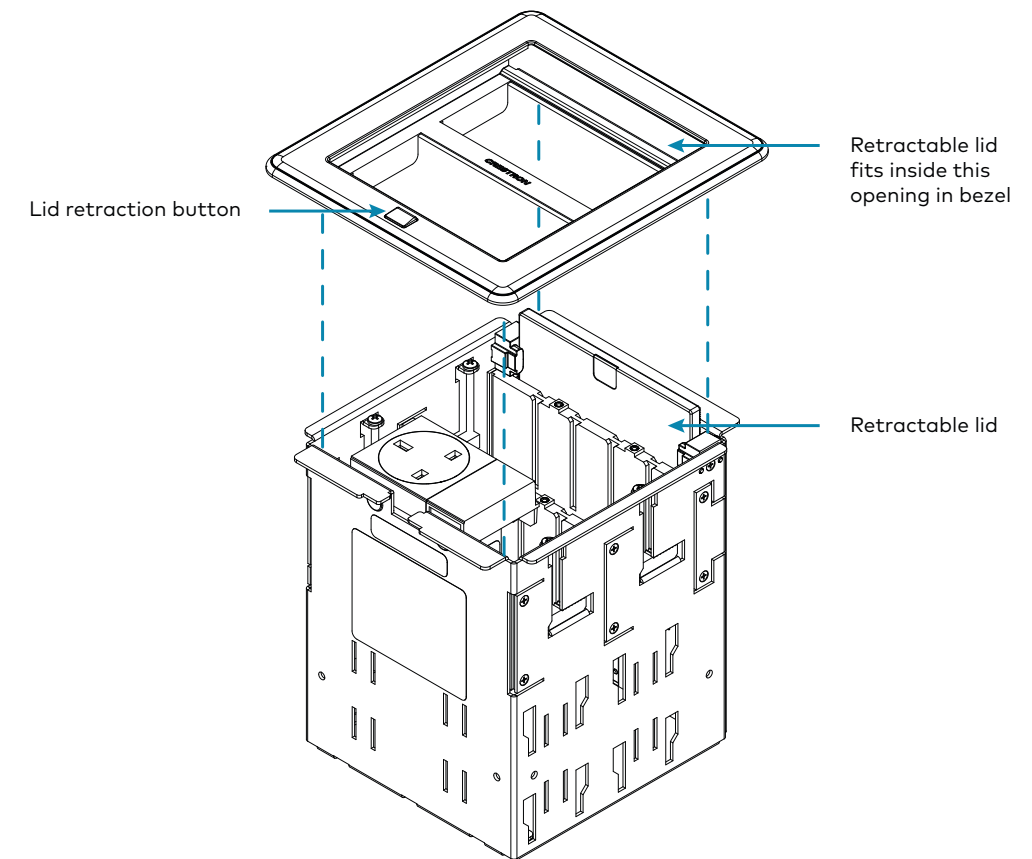


FT2A-PWR-UK-1-BASIC Blank plate module

NOTE: Crestron recommends installing a blank plate module next to the power module if possible. This will ensure that when the power module is in use the mating UK plug does not block the adjacent module.

7. Confirm that all modules are level with their surroundings and place the locking bars (removed in step 3) into position so that the screws on either side engage the screw holes in the assembly.
8. Use a manual torque screwdriver set to its lowest possible setting to tighten the locking bar screws until the lock bars are secured to the FT2 FlipTop assembly.
9. Place the bezel (removed in step 2) onto the FT2 FlipTop assembly so that the retractable lid fits inside the bezel opening. The bezel is held in place by magnets.

Attach the Bezel



Connect the Module

The FT2A-PWR-UK-2 provides two UK Type G AC power receptacles beneath the table (the FT2A-PWR-UK-1-BASIC does not). Use these receptacles to provide power to an electrical FT2 FlipTop assembly and to devices installed below the surface within the FT2 FlipTop assembly system.

To activate the power outlet module, insert the three-prong plug into a nearby AC wall or floor outlet.

Operate the Module

To operate the power outlet module:

1. Tap the lid retraction button to retract the one-touch lid, which disappears into the FT2 FlipTop assembly.
2. Connect the device needing power to one of the available outlets on the module.
3. Confirm that the power indicator on the device shows that the device is receiving power.



»» Additional Information

Scan or click the QR code for detailed product information.



FT2A-PWR-UK-1-BASIC



FT2A-PWR-UK-2

Compliance and Legal

Original Instructions: The U.S. English version of this document is the original instructions. All other languages are a translation of the original instructions.

Regulatory Model: M201907002

As of the date of manufacture, the product has been tested and found to comply with specifications for CE marking.



The Waste Electrical & Electronic Equipment (WEEE) directive marking on a product indicates that it should not be disposed of with general household waste. Instead, you are encouraged to reuse or recycle the product in accordance with Directive 2012/19/EU of the European Union. Proper disposal of this product will help prevent potential negative effects on the environment and human health, which could otherwise be caused by inappropriate waste handling. Penalties may be applicable

for incorrect disposal of this waste, in accordance with your national legislation. For information about recycling this product, please contact your household waste disposal service, your original distributor, or Crestron.



The product warranty can be found at www.crestron.com/warranty.

The specific patents that cover Crestron products are listed at www.crestron.com/legal/patents.

Certain Crestron products contain open source software. For specific information, visit www.crestron.com/opensource.

Crestron, the Crestron logo, and FlipTop are either trademarks or registered trademarks of Crestron Electronics, Inc. in the United States and/or other countries. HTBaseT is either a trademark or registered trademark of the HDBaseT Alliance in the United States and/or other countries. Other trademarks, registered trademarks, and trade names may be used in this document to refer to either the entities claiming the marks and names or their products. Crestron disclaims any proprietary interest in the marks and names of others. Crestron is not responsible for errors in typography or photography.

©2019 Crestron Electronics, Inc.

Crestron Electronics, Inc.
15 Volvo Drive, Rockleigh, NJ 07647
Tel: 888.CRESTRON
Fax: 201.767.7576
www.crestron.com

Quick Start - Doc. 8458B
(2053695)
05/20/19

Specifications subject to change without notice.