

HD-DAX-4K-E Series

HDMI® Express Distribution Amplifiers

1 Introduction

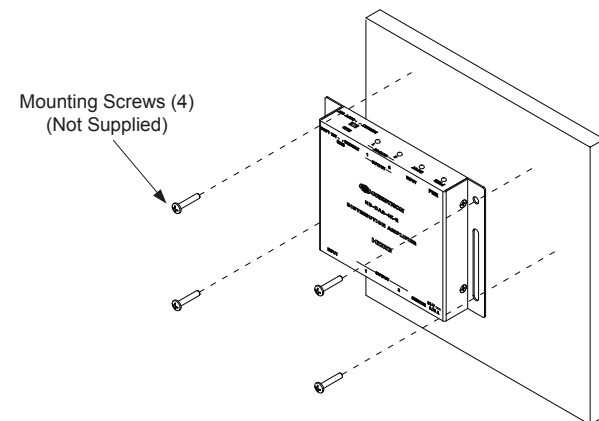
The Crestron® HD-DAX-4K-E Series consists of the HD-DA2-4K-E, HD-DA4-4K-E, and HD-DA8-4K-E, which distribute one HDMI® source to a maximum of two, four, or eight outputs, respectively. The HD-DAX-4K-E Series provides high-performance 4K signal splitting to feed multiple displays, switchers, AV receivers, and other devices.

2 Mounting

Mount the distribution amplifier on a flat surface or on a rack rail as appropriate for the installation.

Mounting on a Flat Surface

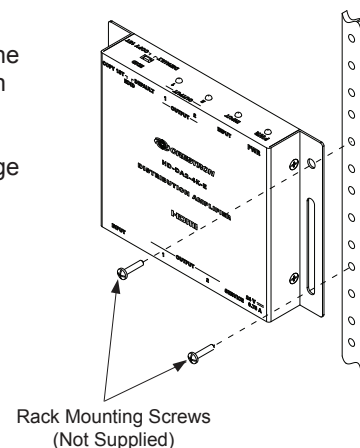
Using four mounting screws (not supplied), mount the distribution amplifier on a flat surface such as a wall or a table. Mounting of the HD-DA2-4K-E on a wall is shown below.



Mounting on a Rack Rail

Mount the distribution amplifier on the front or rear rail of a rack as follows:

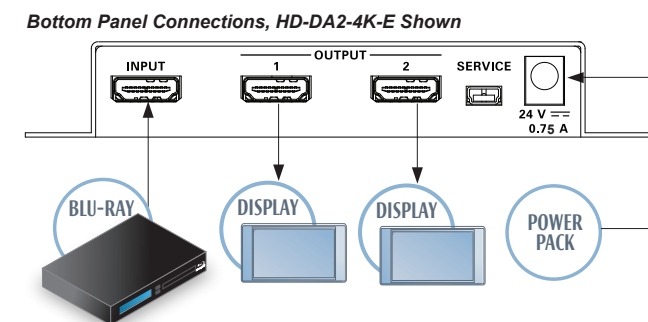
1. Position either the left or right mounting flange of the device so that the holes in the flange align with the holes in the rack rail. Mounting of the right flange of the HD-DA2-4K-E is shown to the right.
2. Secure the device to the rack using two rack mounting screws (not supplied).



3 Connections

Connect the bottom panel of the distribution amplifier as follows:

- **INPUT:** Using an HDMI cable (not supplied), connect the INPUT port to the HDMI output port of the audio/video source (for example, a Blu-ray™ player).
- **OUTPUT 1–2, 1–4, or 1–8:** Using HDMI cables (not supplied), connect the OUTPUT ports to the HDMI input ports of the receiving devices (for example, HDMI displays).
- **SERVICE:** Reserved for factory use only.
- **24 V== 0.75 A:** Using the supplied 24 Vdc power pack, connect the 24 Vdc power connector to an ac wall outlet.



4 EDID Settings

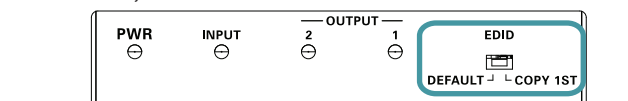
Control EDID (Extended Display Identification Data) settings by moving the EDID switch (located on the top panel of the distribution amplifier) to the desired position:

- **DEFAULT:** (Factory-default setting)
The distribution amplifier sends predefined Crestron EDID settings to the input device. The Crestron EDID supports 2-channel LPCM audio and the following video resolutions:
 - 1920 × 1080 @ 60 Hz (1080p60, preferred resolution)
 - 1920 × 1080 @ 30 Hz (1080i30)
 - 1280 × 720 @ 60 Hz (720p60)
 - 720 × 480 @ 60 Hz (480p)
- **COPY 1ST:** The distribution amplifier copies the EDID settings of the display connected to OUTPUT 1 and sends the EDID settings to the input device.

NOTE: If a different display is connected to OUTPUT 1 after the EDID switch has been placed in the COPY 1ST position, the EDID settings can be updated by moving the switch to the DEFAULT position and then back to the COPY 1ST position. The EDID settings remain in effect regardless of power cycles and hotplug events.

NOTE: If the switch is in the COPY 1ST position but a display is not connected to OUTPUT 1, the EDID settings of the last display connected to OUTPUT 1 are sent to the input device.

EDID Switch, HD-DA2-4K-E Shown

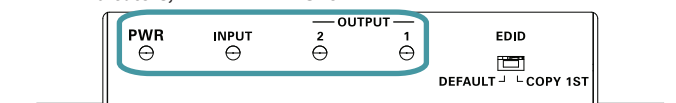


5 LED Indicators

LED indicators (located on the top panel of the distribution amplifier) are as follows:

- **PWR:** Lights green to indicate that power is being applied to the device.
- **INPUT:** Lights green to indicate that the HDMI source signal is being received.
- **OUTPUT 1–2, 1–4, or 1–8:** Light green to indicate that the HDMI signal is being sent to the corresponding outputs.

LED Indicators, HD-DA2-4K-E Shown



The specific patents that cover Crestron products are listed at patents.crestron.com.
Crestron and the Crestron logo are either trademarks or registered trademarks of Crestron Electronics, Inc. in the United States and/or other countries. Blu-ray is either a trademark or registered trademark of the Blu-ray Disc Association in the United States and/or other countries. HDMI and the HDMI logo are either trademarks or registered trademarks of HDMI Licensing, LLC in the United States and/or other countries. Other trademarks, registered trademarks, and trade names may be used in this document to refer to either the entities claiming the marks and names or their products. Crestron disclaims any proprietary interest in the marks and names of others. Crestron is not responsible for errors in typography or photography.
This document was written by the Technical Publications department at Crestron.
©2014 Crestron Electronics, Inc.

For regulatory compliance information, refer to Doc. 7704.

QUICKSTART DOC. 7655A (2042047) 08.14

www.crestron.com | 888.273.7876 | 201.767.3400

Specifications subject to change without notice.

