

SSW-ACR-102-EL

Replacement Acrylic Sign Face for SSW Series, Enhanced Legibility, Includes Custom Engraving

- *Two-sided, gray acrylic sign designed to replace an existing sign face for an SSW series room availability hallway sign*
- *Allows for an enhanced indication of a room's availability that is clearly visible and legible from 150 ft (46 m)*

The SSW-ACR-102-EL is a replacement acrylic sign face for an SSW series room availability hallway sign (sold separately) with custom engraving. The engraving appears on both sides of the sign face to identify the room by name, number, or a representative icon image. When illuminated, the sign face and engraving is clearly visible at a distance of 150 ft (46 m) if 1 in. fonts are used. Crestron Studio® software is used to specify the engraving.

NOTE: For applications that do not require enhanced visibility, refer to models [SSW-ACR-100](#) and [SSW-ACR-102](#).

Specifications

Construction

Composition: Gray acrylic sign face

Mounting: Attaches to an SSW series assembly (sold separately)

Dimensions

With SSW series assembly

Height: 6.41 in. (163 mm)

Width: 2.79 in. (71 mm)

Depth: 8.57 in. (218 mm)

Weight

5.7 lb (2.6 kg) with SSW series assembly

Models and Accessories

Available Models

SSW-ACR-100-EL

Replacement Acrylic Sign Face for SSW Series, Enhanced Legibility, without engraving

SSW-ACR-102-EL

Replacement Acrylic Sign Face for SSW Series, Enhanced Legibility, includes custom engraving

This product may be purchased from an authorized Crestron dealer. To find a dealer, please contact the Crestron sales representative for your area. A list of sales representatives is available online at www.crestron.com/How-To-Buy/Find-a-Representative or by calling 855-263-8754.

The specific patents that cover Crestron products are listed online at www.crestron.com/legal/patents.

Certain Crestron products contain open source software. For specific information, visit www.crestron.com/opensource.

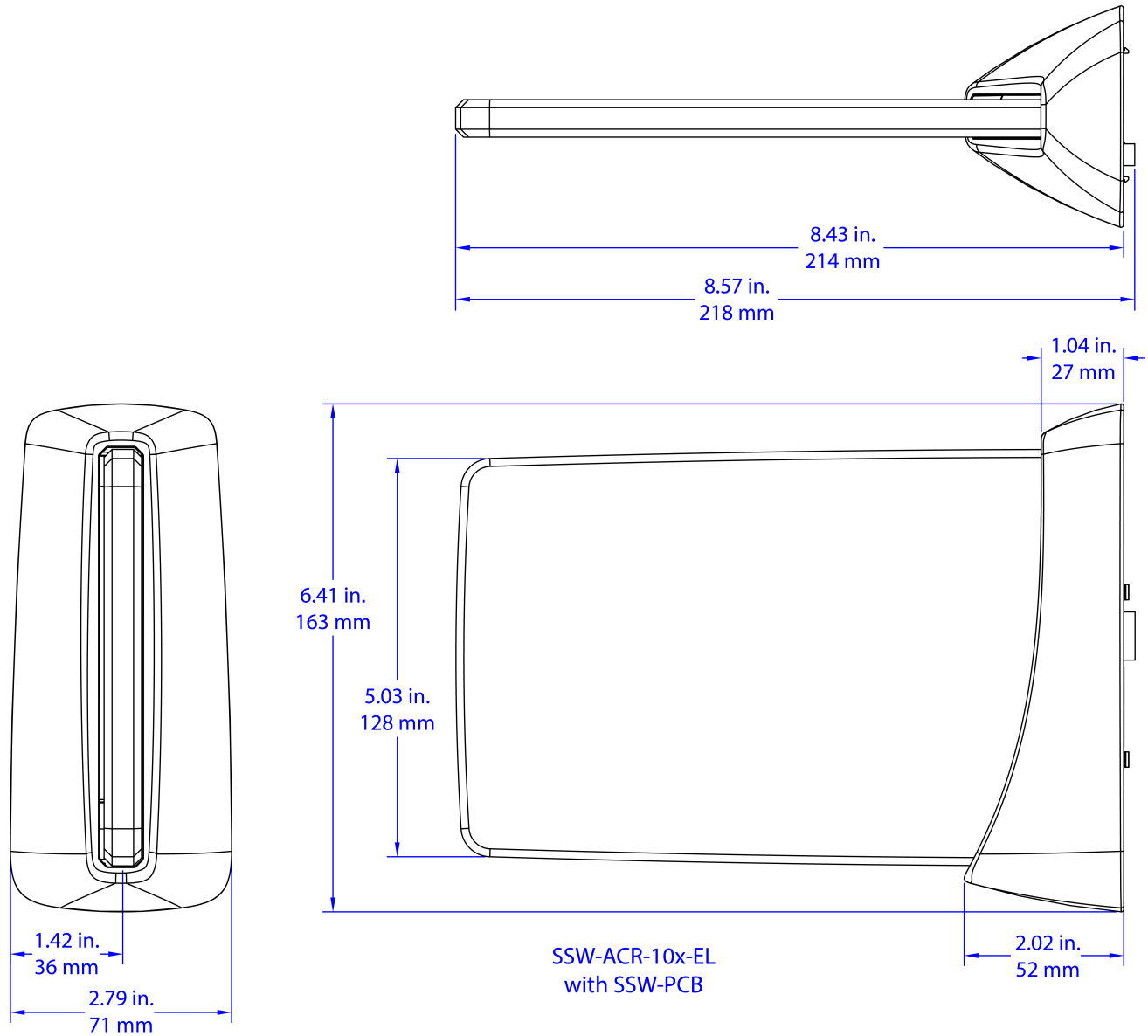
Crestron, the Crestron logo, Cresnet, Crestron Fusion, and Crestron Studio are either trademarks or registered trademarks of Crestron Electronics, Inc. in the United States and/or other countries. UL is either a trademark or a registered trademark of Underwriters Laboratories, Inc. in the United States and/or other countries. Other trademarks, registered trademarks, and trade names may be used in this document to refer to either the entities claiming the marks and names or their products. Crestron disclaims any proprietary interest in the marks and names of others. Crestron is not responsible for errors in typography or photography.

Specifications are subject to change without notice.

©2019 Crestron Electronics, Inc.

SSW-ACR-102-EL

Replacement Acrylic Sign Face for SSW Series, Enhanced Legibility, Includes Custom Engraving



Rev 05/13/19