

MPC-M5 Media Presentation Controller



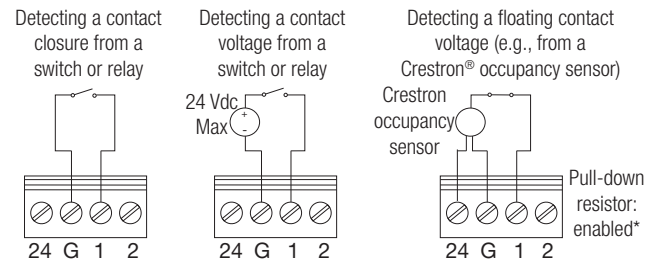
DO Install the MPC-M5 Wiring

Install a standard 2-gang electrical box (not supplied) in a wall or podium.

1. Route all required **COMPUTER, LAN, COM, IR, I/O** and/or **RELAY** wiring to the electrical box.

CAUTION: Incorrect wiring may damage the MPC-M5.

2. Depending on the application, the MPC-M5 inputs can be wired three ways.



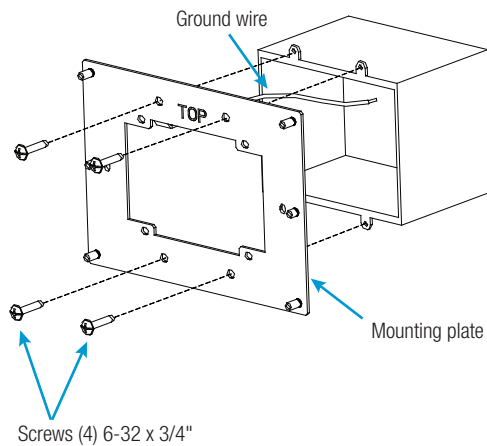
* Detection of an occupancy sensor will also invert the SIMPL program logic: when the circuit is open (motion detected), the digital signal will be high; when the circuit is closed (no motion detected), the digital signal will be low.

NOTE: The settings for the pull-down resistor are specified in the SIMPL Windows program. For more information, refer to the SIMPL Windows help file.

DO Connect the MPC-M5

After the wiring has been installed and verified, attach the mounting plate to the electrical box.

1. Turn system power OFF.
2. Refer to the following illustration, and use the four included 6-32 x 3/4" screws to attach the mounting plate to the electrical box.
3. Connect the grounding wire from the mounting plate to an earth ground (building steel).



DO Check the Box

QUANTITY	PRODUCT	COLOR	PART NUMBER
1	Plate, Metal, Mounting, with Ground Wire		4510704
2	Screw, 4-40 x 1/4", Pan Head, Phillips		2007156
4	Screw, 6-32 x 3/4", Truss Head, Combo		2009211
1	Tool, 1/16" Allen Wrench, L-shape, 3" Blade		2022867

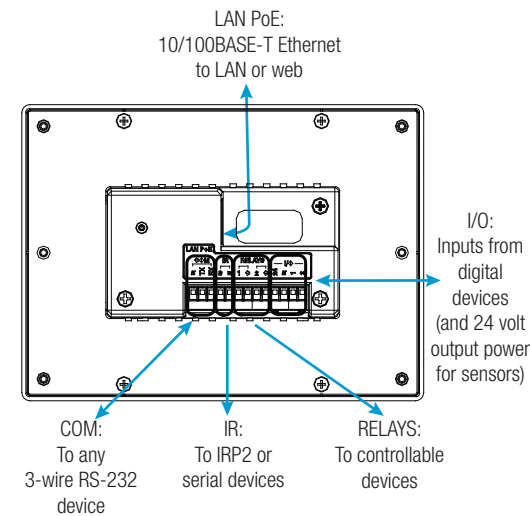
Items for MPC-M5-W Only

1	Labels, Actions, 100 Piece Set	White	4509402
1	Labels, Sources, 100 Piece Set	White	4509400
1	Plate, Front Panel	White	4509213
4	Screw, 4-40 x 1/2", Button Head, Hex		2021396

Items for MPC-M5-B-T Only

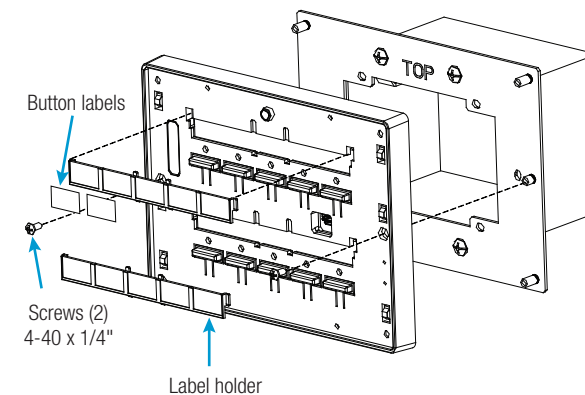
1	Labels, Actions, 100 Piece Set	Black	4509403
1	Labels, Sources, 100 Piece Set	Black	4509401
1	Plate, Front Panel	Black	4509214
4	Screw, 4-40 x 1/2", Button Head, Hex	Black	2021395

4. Attach cables to the rear of the MPC-M5. Make the connections as called out in the following illustration.



Apply power after all connections have been made. When making connections to the MPC-M5, use Crestron® power supplies for Crestron equipment.

5. Use the two included 4-40 x 1/4" screws to attach the MPC-M5 to the mounting plate.



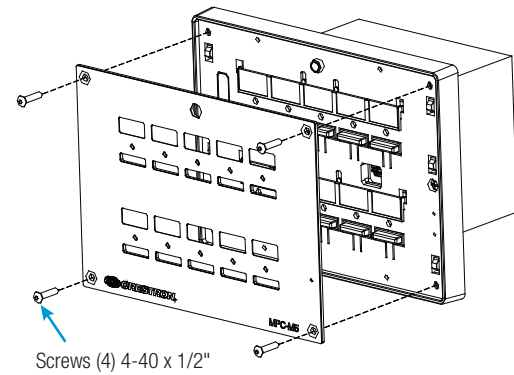
CAUTION: Excess wire that is pinched between the MPC-M5 and the electrical box could short out. Make sure that all wires are completely inside the electrical box and not between the box and the MPC-M5.

- a. Attach the label holder by placing it over its slots and sliding it downward into position.
- b. Attach the included labels in the appropriate positions on the MPC-M5.

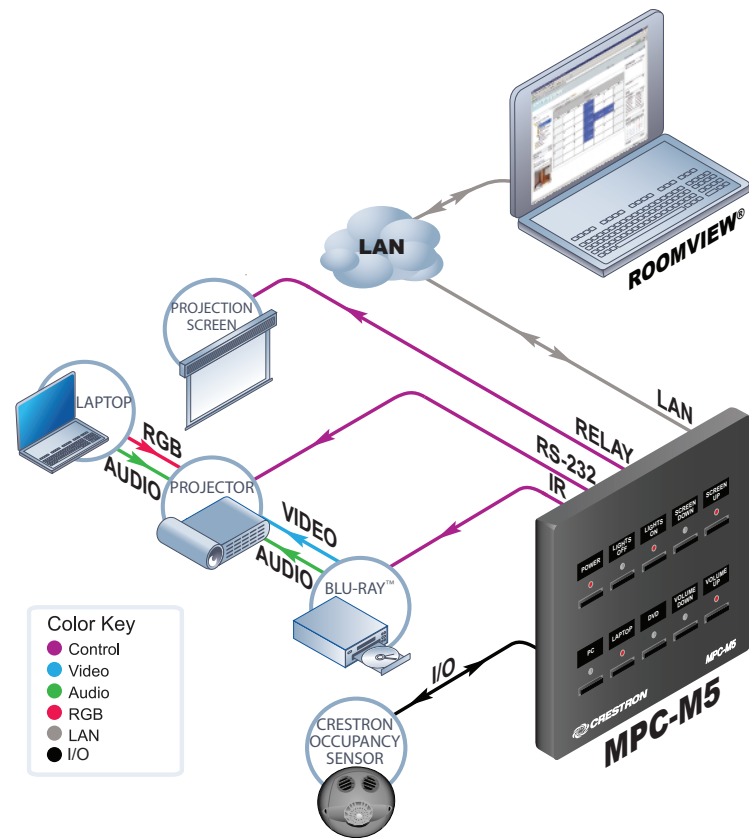


6. Perform any necessary programming using the COMPUTER (USB) connection prior to attaching the front panel of the MPC-M5. (Programming can also be performed via the LAN PoE port.)

7. Use the four included 4-40 x 1/2" screws and the included 1/16" Allen wrench to attach the front panel to the MPC-M5.

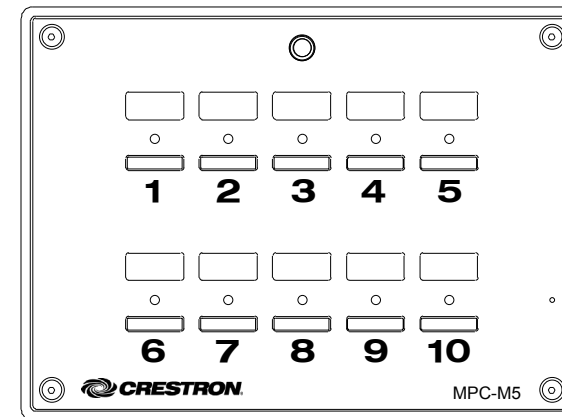


The following illustration shows an MPC-M5 in a commercial application.



DO Program the Pushbuttons

The 10 "hard key" pushbuttons on the MPC-M5 are programmable and can provide tactile control of many functions, such as power, source selection, transport control, audio settings, lighting, and more. Refer to the following illustration for their assigned join numbers. A description for each button signal is described in the SIMPL Windows help file.



DO Learn More

Visit the website for additional information and the latest firmware updates. To learn more about this product, use a QR reader application on your mobile device to scan the QR image.

Crestron Electronics

15 Volvo Drive, Rockleigh, NJ 07647
888.CRESTRON | www.crestron.com



As of the date of manufacture, the product has been tested and found to comply with specifications for CE marking.

Regulatory Compliance

This product is Listed to applicable UL Standards and requirements by Underwriters Laboratories Inc.



Conformité Réglementaire

Ce produit est homologué selon les normes et les exigences UL applicables par Underwriters Laboratories Inc.

Federal Communications Commission (FCC) Compliance Statement

This device complies with part 15 of the FCC Rules. Operation is subject to the following two conditions:

(1) This device may not cause harmful interference, and (2) this device must accept any interference received, including interference that may cause undesired operation.

CAUTION: Changes or modifications not expressly approved by the manufacturer responsible for compliance could void the user's authority to operate the equipment.

NOTE: This equipment has been tested and found to comply with the limits for a Class B digital device, pursuant to part 15 of the FCC Rules. These limits are designed to provide reasonable protection against harmful interference in a residential installation. This equipment generates, uses and can radiate radio frequency energy and, if not installed and used in accordance with the instructions, may cause harmful interference to radio communications. However, there is no guarantee that interference will not occur in a particular installation.

If this equipment does cause harmful interference to radio or television reception, which can be determined by turning the equipment off and on, the user is encouraged to try to correct the interference by one or more of the following measures:

- Reorient or relocate the receiving antenna.
- Increase the separation between the equipment and receiver.
- Connect the equipment into an outlet on a circuit different from that to which the receiver is connected.
- Consult the dealer or an experienced radio/TV technician for help.

Industry Canada (IC) Compliance Statement

CAN ICES-3(B)/NMB-3(B)

Crestron product development software is licensed to Crestron dealers and Crestron Service Providers (CSPs) under a limited non-exclusive, non-transferable Software Development Tools License Agreement. Crestron product operating system software is licensed to Crestron dealers, CSPs, and end-users under a separate End-User License Agreement. Both of these Agreements can be found on the Crestron website at www.crestron.com/legal/software_license_agreement.

The specific patents that cover Crestron products are listed at patents.crestron.com.

Certain Crestron products contain open source software. For specific information, please visit www.crestron.com/opensource.

Crestron, the Crestron logo, the MPC logo, and RoomView are either trademarks or registered trademarks of Crestron Electronics, Inc. in the United States and/or other countries. Blu-ray is either a trademark or registered trademark of the Blu-ray Disc Association (BDA) in the United States and/or other countries. UL and the UL logo are either trademarks or registered trademarks of Underwriters Laboratories, Inc. in the United States and/or other countries. Other trademarks, registered trademarks, and trade names may be used in this document to refer to either the entities claiming the marks and names or their products. Crestron disclaims any proprietary interest in the marks and names of others. Crestron is not responsible for errors in typography or photography.

This document was written by the Technical Publications department at Crestron.

©2016 Crestron Electronics, Inc.

The product warranty can be found at www.crestron.com/warranty.