

HZ-KPCN

Horizon™ Keypad, Cresnet® Communications



HZ-KPCN-W Shown

- *Single-gang U.S. wall box installation with faceplate included*
- *Gangable up to four across using Crestron® Horizon™ device compatible multi-gang faceplates (HZ-FP-G series)*
- *Configurable with up to five field-replaceable buttons*
- *Custom backlit laser-etched engravable buttons*
- *Multicolor RGB LED backlighting*
- *Auto-dimming day/night backlight modes*
- *Fully programmable via a Crestron control system*
- *Crestron Home™ OS 3 compatible*
- *Dual Cresnet® ports for easy daisy-chaining*
- *Two control input ports for external sensors*

The HZ-KPCN Horizon™ keypad incorporates control of lighting, shading, audio, and other amenities throughout a home. Its design matches the entire line of Horizon dimmers, switches, and keypads, making it a great addition to new or retrofit installations.

Multigang Expansion

Up to four devices may be installed side-by-side in a multigang electrical box with a compatible Horizon faceplate (HZ-FP-G series). All buttons in a multigang arrangement align to form one continuous control surface.

Cresnet® Communications

HZ-KPCN keypads communicate with a Crestron control system via Cresnet, a 4-wire network bus that provides bidirectional data communication and 24 VDC power to each keypad in the system. To simplify wiring in a multigang arrangement, each HZ-KPCN keypad includes dual parallel Cresnet ports for daisy-chaining.

Built-In Control Ports

Two digital/analog input ports are included on HZ-KPCN keypads to provide a local interface for Crestron occupancy sensors, daylight sensors, and other devices that provide a contact closure, DC logic, or 0-10 VDC. Using the control ports, it's possible to add monitoring of room occupancy, ambient light level, door closures, and other conditions without additional wiring.

Field-Replaceable Button Caps

The preinstalled five button caps on the HZ-KPCN are field replaceable, allowing for various engravable button configurations.

Multicolor Backlit Button Engraving

Horizon keypad buttons are laser engravable to identify each button's function. RGB LED backlights illuminate the engraved labels and can be adjusted for custom color backlighting. A built-in ambient light sensor enables auto-dimming of the backlight brightness according to day and night mode presets.

Each button's backlight provides feedback by changing color, intensity, or both. The backlight can also flash to show that an action is being performed.

Customizable Faceplates

Horizon compatible faceplates are customizable for any décor. Color-matched top and bottom trim pieces may be swapped easily after installation with custom trim fabricated from solid materials such as wood, metal, marble, engineered stone, or Corian®. Contact a Crestron representative, or refer to Crestron True Blue Support Online Help [Answer ID: 1000140](#), to obtain specifications and CADs for the fabrication of custom trim. Paintable trim is also available separately.

NOTE: The faceplate trim is attached magnetically, which may inhibit use in locations where tampering may occur.

Specifications

Power Requirements

Cresnet Power Usage	2 W (83 mA @ 24 VDC)
Power Consumption	2 W maximum

Controls

Pushbutton	(5) blank single pushbuttons; Configurable with combinations of HZ-BTN-RKR1, HZ-BTN-RKR3, or HZ-BTN-1 in blank or engraved models; (5) blank button caps included
-------------------	---

NOTE: Supplied button caps are not engravable. For custom engravings, use HZ-BTN-ENGRAVED button caps.

Setup	(1) Hidden pushbutton; Located behind faceplate's top trim piece; Configures the LED backlight and calibrates the light sensor
--------------	--

LED Indicator and Light Sensor

Feedback	(5) Color-adjustable LEDs; Provides button backlighting
Light Sensor	Photosensor with adjustable sensitivity; Detects the ambient room light level to activate day or night mode

NOTE: Light sensor performance may be affected by obstructions placed below the keypad.

Communications

Cresnet	Cresnet slave mode
----------------	--------------------

Connections

INPUT (12 G)	(1) 3-pin 3.5 mm detachable terminal block; (2) digital/analog input ports, (1) ground; Digital Input: Rated for 0-24 VDC, input impedance 200k Ohms, logic threshold 1.24 VDC; Analog Input: Rated for 0-10 VDC, protected to 24 VDC maximum, input impedance 200k Ohms; Programmable 3 V, 2k Ohm pull-up resistor per input
NET (24 Y Z G)	(2) 4-pin 3.5 mm detachable terminal blocks, paralleled; Cresnet slave port with hardwire parallel pass-through

Environmental

Temperature	32° to 86° F (0° to 30° C)
Humidity	10% to 90% RH (noncondensing)

Enclosure

Mounting	Mounts in a 1-gang U.S. electrical box or plaster ring (not included); 3.5 in. (26 mm) electrical box depth recommended; Gangable up to four units
Faceplate	Requires an HZ-FP-G Horizon faceplate (included)

Dimensions

Height	4.73 in. (120 mm) with faceplate
Width	3.07 in. (78 mm) with 1-gang faceplate
Depth	0.64 in. (17 mm) overall, projects 0.41 in. (11 mm) from wall surface when installed

NOTE: Dimensions shown are without the detachable connectors.

Weight

4.2 oz (119 g)

Compliance

IC, FCC Part 15 Class B digital device

Models

HZ-KPCN-A
HZ-KPCN-B
HZ-KPCN-W

Available Accessories

HZ-FP-G1-A
Horizon Faceplate, 1-Gang, Almond

HZ-FP-G1-B
Horizon Faceplate, 1-Gang, Black

HZ-FP-G1-W
Horizon Faceplate, 1-Gang, White

HZ-FP-G2-A
Horizon Faceplate, 2-Gang, Almond

HZ-FP-G2-B
Horizon Faceplate, 2-Gang, Black

Horizon™ Keypad, Cresnet® Communications

HZ-FP-G2-W

Horizon Faceplate, 2-Gang, White

HZ-FP-G3-A

Horizon Faceplate, 3-Gang, Almond

HZ-FP-G3-B

Horizon Faceplate, 3-Gang, Black

HZ-FP-G3-W

Horizon Faceplate, 3-Gang, White

HZ-FP-G4-A

Horizon Faceplate, 4-Gang, Almond

HZ-FP-G4-B

Horizon Faceplate, 4-Gang, Black

HZ-FP-G4-W

Horizon Faceplate, 4-Gang, White

HZ-BTN-1-A-T-BLANK

Horizon Backlit Engravable Pushbutton, Size 1, Almond Textured, Engraving Not Included

HZ-BTN-1-B-T-BLANK

Horizon Backlit Engravable Pushbutton, Size 1, Black Textured, Engraving Not Included

HZ-BTN-1-W-T-BLANK

Horizon Backlit Engravable Pushbutton, Size 1, White Textured, Engraving Not Included

HZ-BTN-RKR1-A-T-BLANK

Horizon Backlit Engravable Rocker Button, Size 1, Almond Textured, Engraving Not Included

HZ-BTN-RKR1-B-T-BLANK

Horizon Backlit Engravable Rocker Button, Size 1, Black Textured, Engraving Not Included

HZ-BTN-RKR1-W-T-BLANK

Horizon Backlit Engravable Rocker Button, Size 1, White Textured, Engraving Not Included

HZ-BTN-RKR3-B-T-BLANK

Horizon Backlit Engravable Rocker Button, Size 3, Black Textured, Engraving Not Included

HZ-BTN-RKR3-W-T-BLANK

Horizon Backlit Engravable Rocker Button, Size 3, White Textured, Engraving Not Included

HZ-BTN-RKR5-A-T-BLANK

Horizon Backlit Engravable Rocker Button, Size 5, Almond Textured, Engraving Not Included

HZ-BTN-RKR5-B-T-BLANK

Horizon Backlit Engravable Rocker Button, Size 5, Black Textured, Engraving Not Included

HZ-BTN-RKR5-W-T-BLANK

Horizon Backlit Engravable Rocker Button, Size 5, White Textured, Engraving Not Included

CRESNET-NP-TL-SP1000

Cresnet® Control Cable, Non-Plenum, Teal, 1000 ft (304 m) spool

CRESNET-P-TL-SP1000

Cresnet® Control Cable, Plenum-Rated, Teal, 1000 ft (304 m) spool

HZA-PWR-15A-A

Duplex Receptacle, 15 A, Almond

HZA-PWR-15A-W

Duplex Receptacle, 15 A, White

HZA-PWR-GFCI-15A-A

Duplex Receptacle, GFCI, 15 A, Almond

HZA-PWR-GFCI-15A-W

Duplex Receptacle, GFCI, 15 A, White

HZA-PWR-USB-15A-A

Duplex Receptacle, Dual Type-A USB Ports, 15 A, Almond

HZA-PWR-USB-15A-W

Duplex Receptacle, Dual Type-A USB Ports, 15 A, White

HZ-TRIM-G1-PAINT-DARK

Horizon™ Paintable Trim, 1-Gang, Dark

HZ-TRIM-G1-PAINT-LIGHT

Horizon™ Paintable Trim, 1-Gang, Light

HZ-TRIM-G2-PAINT-DARK

Horizon™ Paintable Trim, 2-Gang, Dark

HZ-TRIM-G2-PAINT-LIGHT

Horizon™ Paintable Trim, 2-Gang, Light

HZ-TRIM-G3-PAINT-DARK

Horizon™ Paintable Trim, 3-Gang, Dark

HZ-TRIM-G3-PAINT-LIGHT

Horizon™ Paintable Trim, 3-Gang, Light

HZ-TRIM-G4-PAINT-DARK

Horizon™ Paintable Trim, 4-Gang, Dark

HZ-TRIM-G4-PAINT-LIGHT

Horizon™ Paintable Trim, 4-Gang, Light

Horizon™ Keypad, Cresnet® Communications

This product may be purchased from select authorized Crestron dealers and distributors. To find a dealer or distributor, please contact the Crestron sales representative for your area. A list of sales representatives is available online at www.crestron.com/How-To-Buy/Find-a-Representative or by calling 855-263-8754.

This product is covered under the Crestron standard limited warranty. Refer to www.crestron.com/warranty for full details.

The specific patents that cover Crestron products are listed online at patents.crestron.com.

Certain Crestron products contain open source software. For specific information, please visit www.crestron.com/opensource.

Crestron, the Crestron logo, Crestron Home, Cresnet, and Horizon are either trademarks or registered trademarks of Crestron Electronics, Inc. in the United States and/or other countries. Corian is either a trademark or registered trademark of DuPont de Nemours, Inc. in the United States and/or other countries. Other trademarks, registered trademarks, and trade names may be used in this document to refer to either the entities claiming the marks and names or their products. Crestron disclaims any proprietary interest in the marks and names of others. Crestron is not responsible for errors in typography or photography.

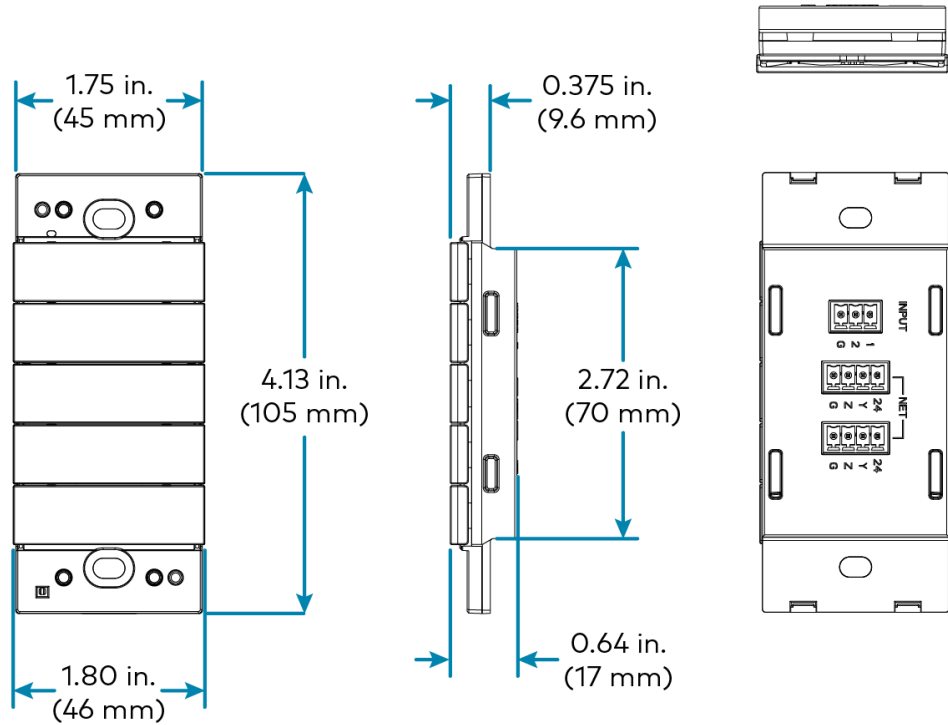
Specifications are subject to change without notice.

©2020 Crestron Electronics, Inc.

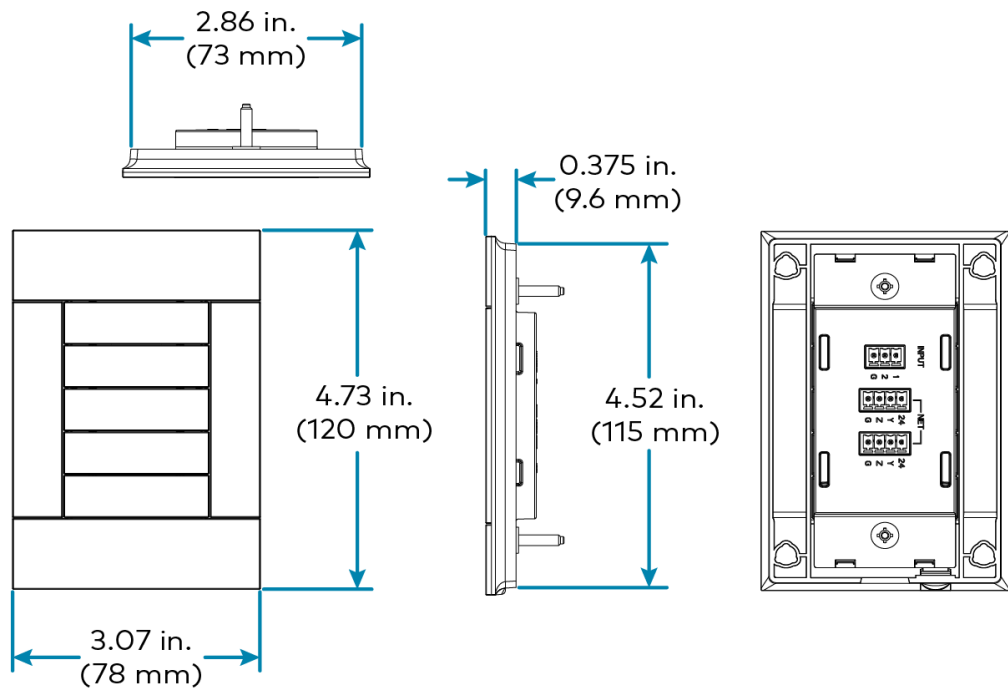
Rev 03/02/20

HZ-KPCN

Horizon™ Keypad, Cresnet® Communications



Shown without faceplate



With 1-Gang Faceplate