

Crestron **TSS-752-MSMK**  
Multi-Surface Mount Kit for TSS-752

---

Installation Guide



The specific patents that cover Crestron products are listed at [patents.crestron.com](http://patents.crestron.com).

Crestron and the Crestron logo are either trademarks or registered trademarks of Crestron Electronics, Inc. in the United States and/or other countries. Other trademarks, registered trademarks, and trade names may be used in this document to refer to either the entities claiming the marks and names or their products. Crestron disclaims any proprietary interest in the marks and names of others. *Crestron is not responsible for errors in typography or photography.*

This document was written by the Technical Publications department at Crestron.  
©2014 Crestron Electronics, Inc.

# Contents

<b>Multi-Surface Mount Kit for TSS-752: TSS-752-MSMK</b>	<b>1</b>
Introduction .....	1
Setup .....	2
Supplied Hardware .....	2
Installation .....	6
Resources .....	13
Further Inquiries .....	13
Future Updates .....	13
Return and Warranty Policies .....	14
Merchandise Returns / Repair Service .....	14
Crestron Limited Warranty .....	14



# Multi-Surface Mount Kit for TSS-752: TSS-752-MSMK

---

## Introduction

The Crestron® TSS-752-MSMK Multi-Surface Mount Kit provides a very versatile surface mounting solution for a TSS-752 Room Scheduling Touch Screen. Using the TSS-752-MSMK, the touch screen device can be mounted directly onto glass, granite, marble, plaster, smooth stone and masonry, or virtually any other flat surface using either the self-adhering mounting plate or screws.

An adhesive backed raceway is also provided for use on smooth surfaces to conceal wires running to the touch screen from the floor or ceiling. The raceway is paintable and is composed of three 3 foot (0.91 meter) sections plus an assortment of elbows and couplings.

### *Models*

DESCRIPTION	MODEL NUMBER	COLOR
Multi-Surface Mount Kit	TSS-752-MSMK-B-S	Black Smooth
	TSS-752-MSMK-W-S	White Smooth

For simplicity within this guide the color and texture designation are omitted and the term “TSS-752-MSMK” is used except where noted.

---

## Setup

### Supplied Hardware

The TSS-752-MSMK consists of a metal mounting plate with adhesive backing, plastic racer mount, raceway and appropriate nuts for mounting.

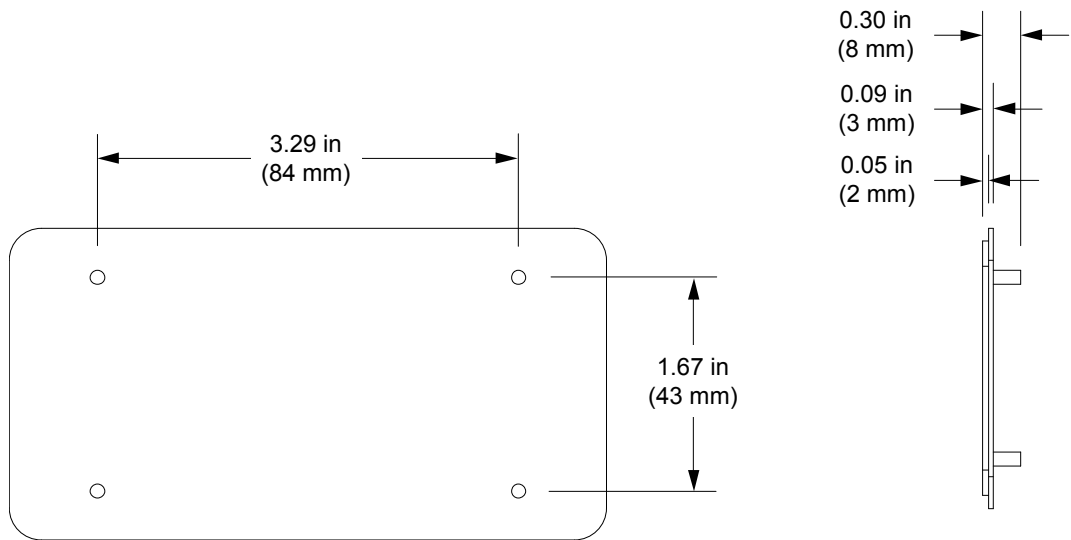
The multi-surface mounting option provides the necessary support and accessories for post-construction applications. The table below lists all parts included with the TSS-752-MSMK.

#### *Supplied Hardware for the TSS-752-MSMK*

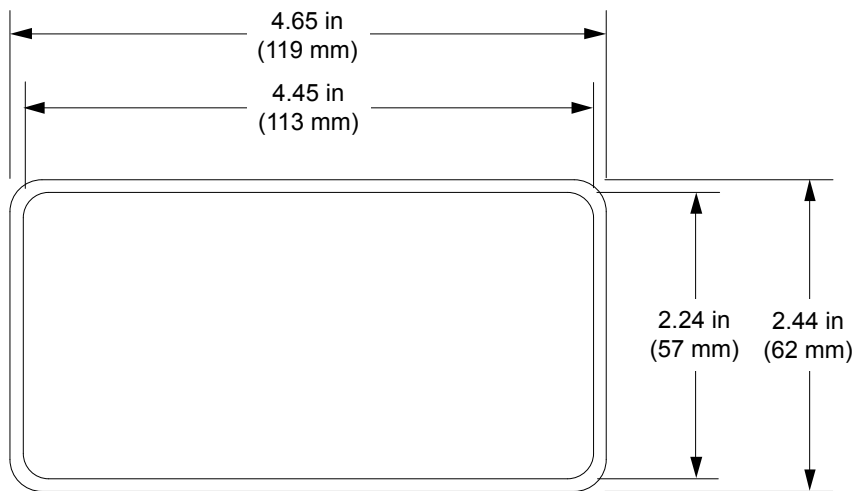
DESCRIPTION	PART NUMBER	COLOR	QUANTITY
Assembly, Metal, Plate, Glass Mount, Foam with Adhesive	4519682	White	1
	4519718	Black	1
Plastic, Racer Mount	4520154	White	1
	4520155	Black	1
Metal, Bracket, On-wall Mount	2037960	-	2
Plastic, Wire Raceway Kit, Paintable	2024932	White	1
Screw, 04-20 x 3/8", Pan, Phil	2007137	-	4
Screw, 04-40 x 1/4", Flat, Torx	2025312	Steel	2
	2039651	Black	2
Nut, #04-40, External, Hex	2004878	-	4
Label, Custom, Polycarbonate	4519867	White	1
	4519868	Black	1
Bit, Torx, T8, Tamper Proof, Security	2025915	-	1

The dimensions of the TSS-752-MSMK are shown below and on the following pages.

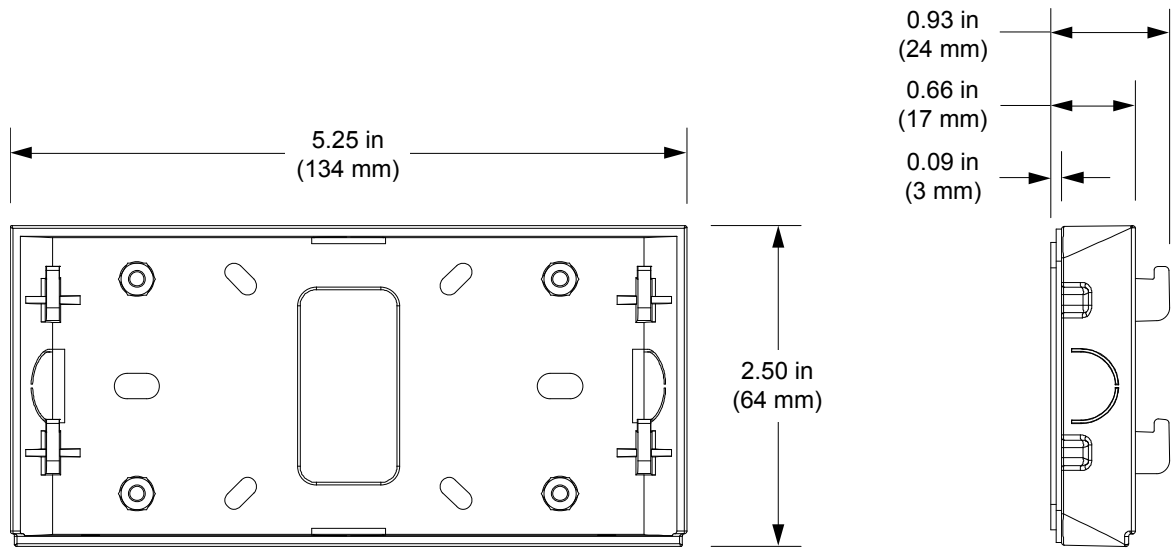
***Glass Mounting Plate Overall Dimensions (Front and Side Views)***



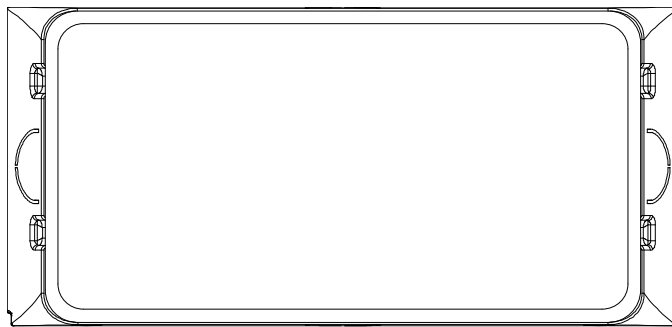
***Glass Mounting Plate Overall Dimensions (Rear View)***



*Glass Mounting Plate with Plastic Racer Mount Overall Dimensions (Front and Side Views)*

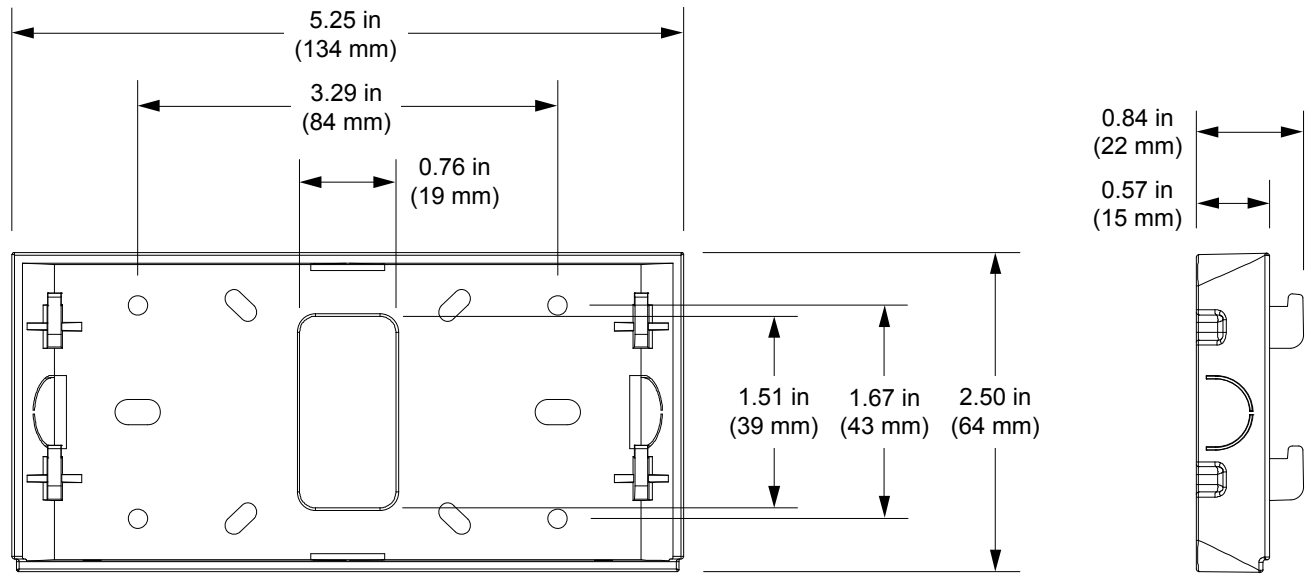


*Glass Mounting Plate with Plastic Racer Mount (Rear View)*

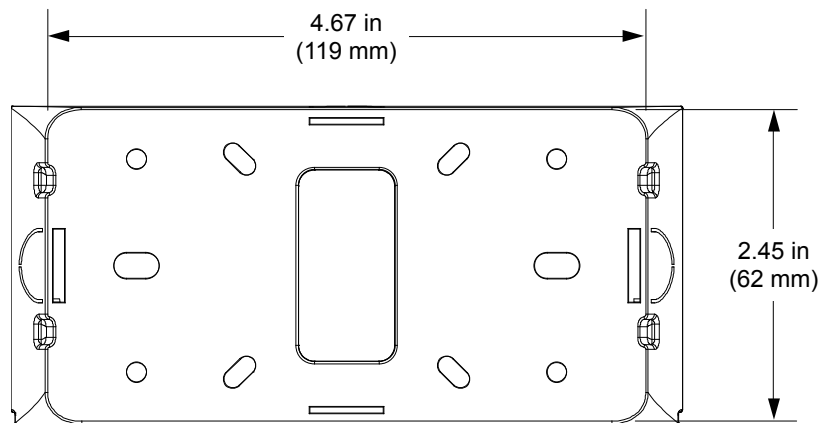




*Plastic Racer Mount Overall Dimensions (Front and Side Views)*



*Plastic Racer Mount Overall Dimensions (Rear View)*



## Installation

This section provides an installation procedure for each mounting scenario. “Glass Mounting” starts below, “Drywall, Paneling, Concrete or Brick Mounting” starts on page 9 and “Raceway Mounting” is on page 12. Be sure to review each procedure before starting.

### ***Glass Mounting***

The touch screen can be mounted onto a flat pane of glass or similar smooth surface (such as granite, marble, plaster, smooth stone or masonry) using the included glass mounting plate. The back of the plate has an adhesive tape that permanently attaches to the glass. After installation is complete, the raceway kit may be installed on a smooth surface by following the “Raceway Mounting” procedure on page 12.

---

**NOTE:** Ensure the glass mounting surface is cleaned with a glass cleaning product that does not leave a film and is free of debris before mounting. Once glass mounting plate has been attached, it cannot be easily removed.

---

Complete the following procedure to attach the glass mounting plate. The only tools and supplies required and not supplied are a level, tape, flathead screwdriver, #2 Phillips screwdriver, 1/4” hex driver, and a glass cleaning product that does not leave a film.

1. Thoroughly clean and dry the glass mounting surface using a glass cleaning product that does not leave a film.
2. Using the level, carefully tape a horizontal reference line that coincides with the lower edge of the mounting bracket.

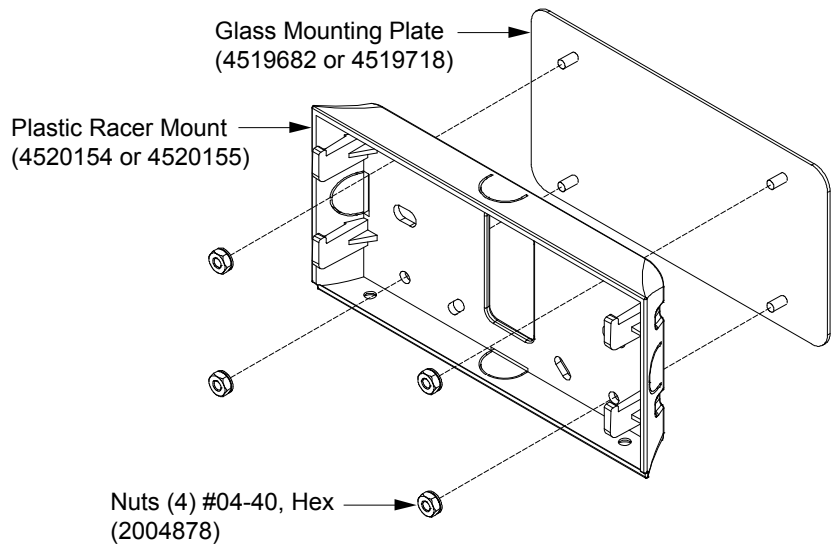
---

**CAUTION: Adhesive on glass mounting plate is a high strength bond. Once adhesive meets a surface, it cannot be easily removed or adjusted.**

---

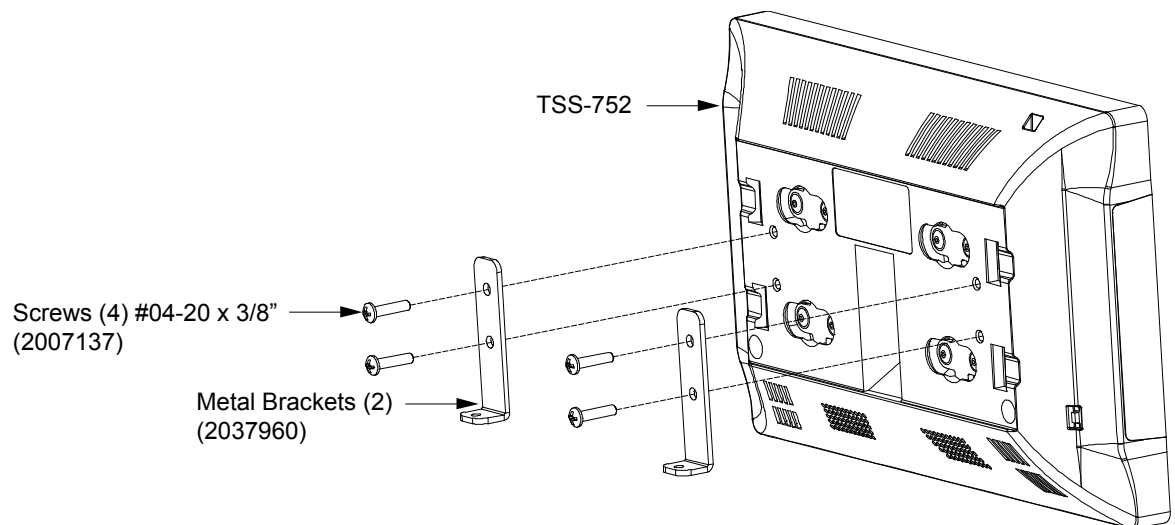
3. Remove the adhesive backing from the glass mounting plate.
4. Holding the glass mounting plate (4519682 or 4519718) at a 45 degree angle to the glass, carefully align the lower edge of the mounting plate with the level taped line. Do not allow adhesive backing to come in contact with the glass.
5. Once aligned with the level reference line, carefully tilt the glass mounting plate back until it is secured to the glass. Firmly press glass mounting plate to the glass to ensure proper adhesion and that any trapped air bubbles are removed.
6. Using a flathead screwdriver, carefully break away one of the C-shaped knockouts on the top, bottom or sides of the plastic racer mount (4520154 or 4520155). For example, if the LAN cable is to enter the plastic racer mount from the bottom, break away the C-shaped knockout on the bottom of the plastic racer mount.
7. Run the network wiring through the hole created by removing the knockout in step #6.
8. Attach the plastic racer mount to the glass mounting plate using the 1/4” hex driver and the four included #04-40 hex nuts (2004878). Refer to the following illustration.

*Attach Plastic Racer Mount to Glass Mounting Plate*



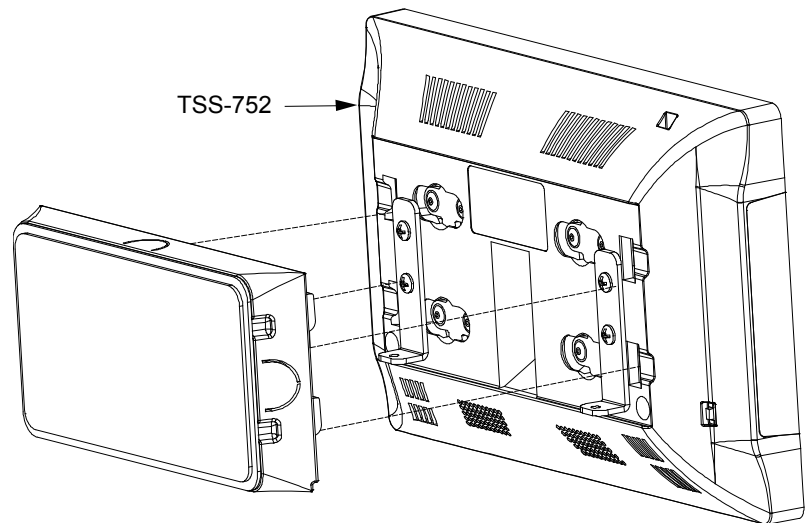
9. Attach the two included metal brackets (2037960) to the back of the touch screen using the four #04-20 x 3/8" screws (2007137) included with the TSS-752-MSMK. Refer to the following illustration.

*Attach Metal Brackets to TSS-752*

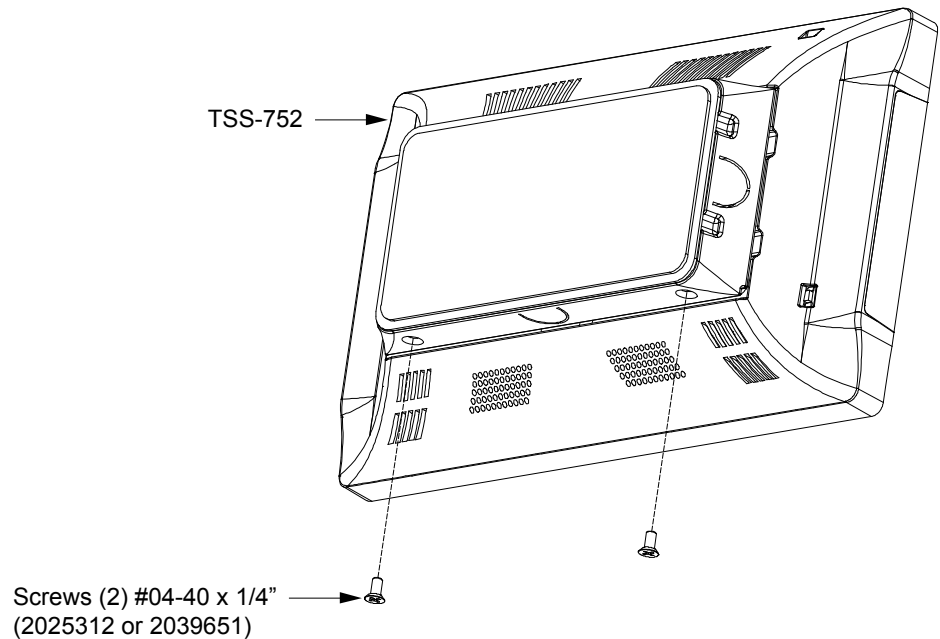


10. Attach the RJ-45 connector of the network wiring to the touch screen and then install the touch screen by carefully placing it on the plastic racer mount. The screw holes in the bottom of the two metal brackets will align with screw holes in the bottom of the plastic racer mount. (While inserting the touch screen, pull the network wiring to remove slack.) Refer to the following illustration.

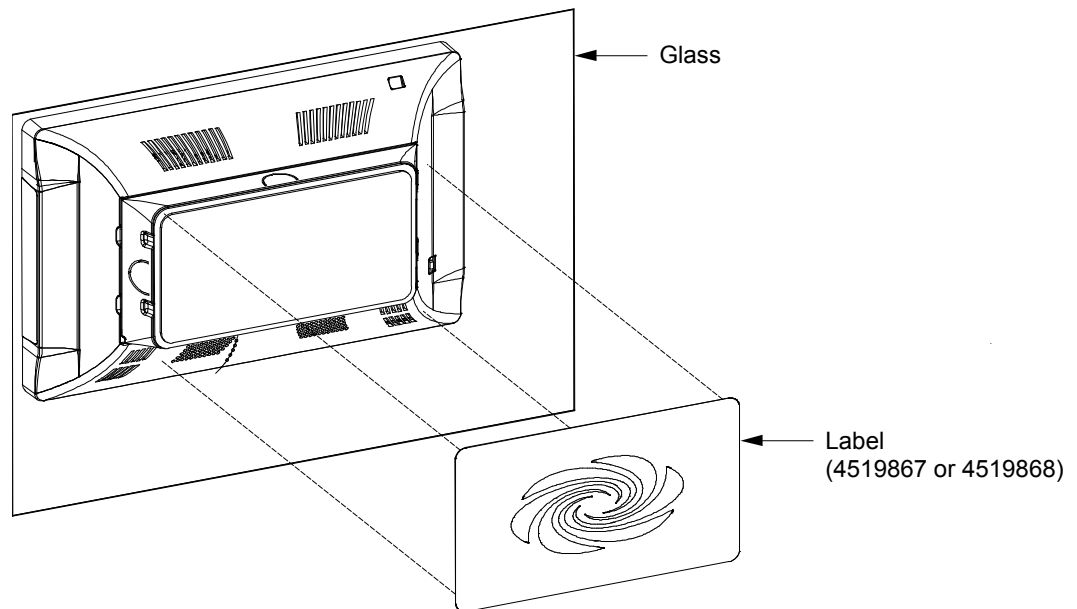
**NOTE:** Use care when pulling plenum rated cable through the bottom of the plastic racer mount as the rigidity of the cable causes slight resistance.

*Place Touch Screen on Plastic Racer Mount*

11. Secure the touch screen to the plastic racer mount with the two included #04-40 x 1/4" security Torx screws (2025312 or 2039651). A Torx screwdriver bit is included with the touch screen. Refer to the following illustration.

*Secure Touch Screen with Screws (Mounting Surface Not Shown)*

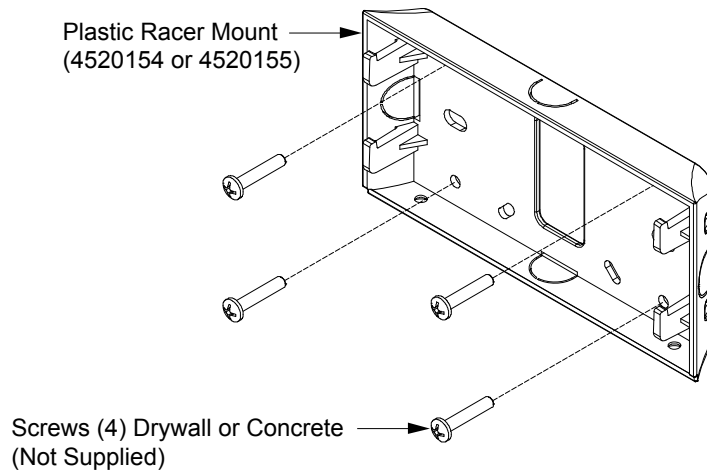
12. For a neat appearance, apply the peel-and-stick label that came with the TSS-752-MSMK (4519867 or 4519868) to the opposite side of the glass. Refer to the following illustration.

*Apply Label to Back of Glass****Drywall, Paneling, Concrete or Brick Mounting***

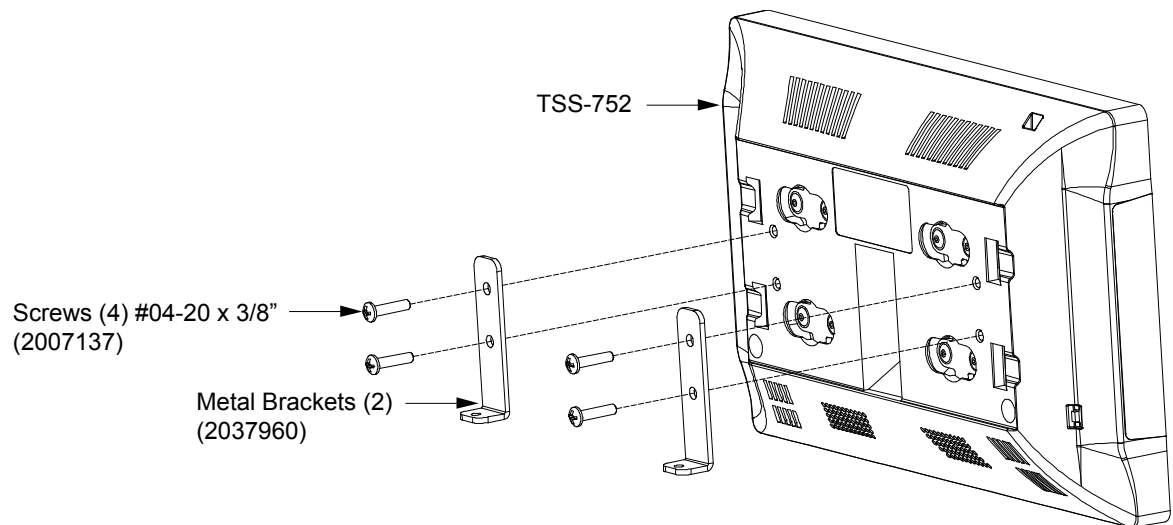
This section provides the steps required for assembly and installation of the TSS-752-MSMK onto drywall, paneling, concrete or brick. The touch screen can be mounted onto the surface by following the procedure below. After installation is complete, the raceway may be installed following the “Raceway Mounting” procedure on page 12.

Review the procedure and complete the steps in the order provided. The only tools or materials required and not supplied are appropriate drywall or concrete screws, a flathead screwdriver, #2 Phillips screwdriver, 1/4” hex driver and a level.

1. Using a flathead screwdriver, carefully break away one of the C-shaped knockouts on the top, bottom or sides of the plastic racer mount (4520154 or 4520155). For example, if the LAN cable is to enter the plastic racer mount from the bottom, break away the C-shaped knockout on the bottom of the plastic racer mount.
2. Using the level and appropriate screws, attach the plastic racer mount to the surface. Refer to the following illustration.

*Attach Plastic Racer Mount to Surface*

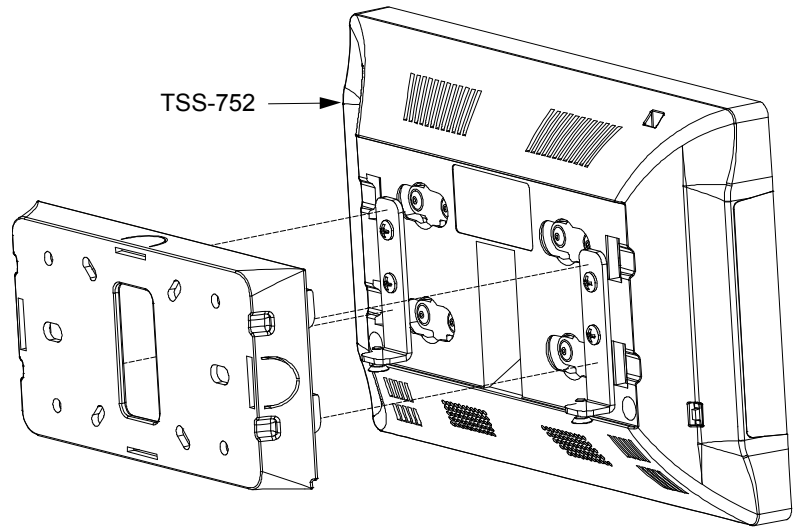
3. Run the network wiring through the hole created by removing the knockout in step #1.
4. Attach the two included metal brackets (2037960) to the back of the touch screen using the four #04-20 x 3/8" screws (2007137) included with the TSS-752-MSMK. Refer to the following illustration.

*Attach Metal Brackets to TSS-752*

5. Attach the RJ-45 connector of the network wiring to the touch screen and then install the touch screen by carefully placing it on the plastic racer mount. The screw holes in the bottom of the two metal brackets will align with screw holes in the bottom of the plastic racer mount. (While inserting the touch screen, pull the network wiring to remove slack.) Refer to the following illustration.

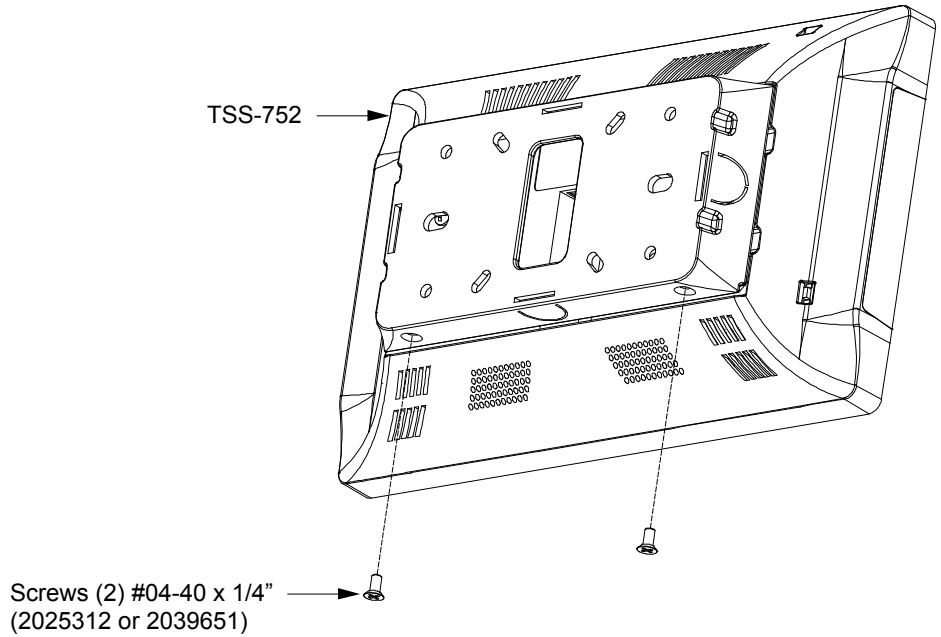
**NOTE:** Use care when pulling plenum rated cable through the bottom of the plastic racer mount as the rigidity of the cable causes slight resistance.

*Place Touch Screen on Plastic Racer Mount*



6. Secure the touch screen to the plastic racer mount with the two included #04-40 x 1/4" security Torx screws (2025312 or 2039651). A Torx screwdriver bit is included with the touch screen. Refer to the following illustration.

*Secure Touch Screen with Screws (Mounting Surface Not Shown)*



### ***Raceway Mounting***

This section provides the steps required for assembly and installation of the raceway to conceal and organize cabling to the touch screen. The kit contains three cable channels, two flat elbows, one inside elbow, one outside elbow and two couplings.

The raceway may be run to either the top or the bottom of the touch screen. Review the procedure and complete the steps in the order provided. After installation, the raceway can be painted.

---

**NOTE:** Surface must be clean before installation.

**NOTE:** Do not use on textured surfaces.

**NOTE:** The raceway is intended for installation on smooth surfaces, such as glass, drywall or paneling.

---

1. Cut raceway to desired length.
2. Insert cables into raceway and press to snap shut.
3. Peel liner from the back of the raceway to expose adhesive strip.
4. Press firmly against wall. Use elbows and couplings as necessary.



## Resources

### Further Inquiries

To locate specific information or resolve questions after reviewing this guide, contact Crestron's True Blue Support at 1-888-CRESTRON [1-888-273-7876] or, for assistance within a particular geographic region, refer to the listing of Crestron worldwide offices at [www.crestron.com/offices](http://www.crestron.com/offices).

To post a question about Crestron products, log onto Crestron's Online Help at [www.crestron.com/onlinehelp](http://www.crestron.com/onlinehelp). First-time users must establish a user account to fully benefit from all available features.

### Future Updates

As Crestron improves functions, adds new features and extends the capabilities of the TSS-752-MSMK, additional information may be made available as manual updates. These updates are solely electronic and serve as intermediary supplements prior to the release of a complete technical documentation revision.

Check the Crestron website periodically for manual update availability and its relevance. Updates are identified as an "Addendum" in the Download column.

---

## Return and Warranty Policies

### Merchandise Returns / Repair Service

1. No merchandise may be returned for credit, exchange or service without prior authorization from Crestron. To obtain warranty service for Crestron products, contact an authorized Crestron dealer. Only authorized Crestron dealers may contact the factory and request an RMA (Return Merchandise Authorization) number. Enclose a note specifying the nature of the problem, name and phone number of contact person, RMA number and return address.
2. Products may be returned for credit, exchange or service with a Crestron Return Merchandise Authorization (RMA) number. Authorized returns must be shipped freight prepaid to Crestron, 6 Volvo Drive, Rockleigh, N.J. or its authorized subsidiaries, with RMA number clearly marked on the outside of all cartons. Shipments arriving freight collect or without an RMA number shall be subject to refusal. Crestron reserves the right in its sole and absolute discretion to charge a 15% restocking fee plus shipping costs on any products returned with an RMA.
3. Return freight charges following repair of items under warranty shall be paid by Crestron, shipping by standard ground carrier. In the event repairs are found to be non-warranty, return freight costs shall be paid by the purchaser.

### Crestron Limited Warranty

Crestron Electronics, Inc. warrants its products to be free from manufacturing defects in materials and workmanship under normal use for a period of three (3) years from the date of purchase from Crestron, with the following exceptions: disk drives and any other moving or rotating mechanical parts, pan/tilt heads and power supplies are covered for a period of one (1) year; touch screen display and overlay components are covered for 90 days; batteries and incandescent lamps are not covered.

This warranty extends to products purchased directly from Crestron or an authorized Crestron dealer. Purchasers should inquire of the dealer regarding the nature and extent of the dealer's warranty, if any.

Crestron shall not be liable to honor the terms of this warranty if the product has been used in any application other than that for which it was intended or if it has been subjected to misuse, accidental damage, modification or improper installation procedures. Furthermore, this warranty does not cover any product that has had the serial number altered, defaced or removed.

This warranty shall be the sole and exclusive remedy to the original purchaser. In no event shall Crestron be liable for incidental or consequential damages of any kind (property or economic damages inclusive) arising from the sale or use of this equipment. Crestron is not liable for any claim made by a third party or made by the purchaser for a third party.

Crestron shall, at its option, repair or replace any product found defective, without charge for parts or labor. Repaired or replaced equipment and parts supplied under this warranty shall be covered only by the unexpired portion of the warranty.

Except as expressly set forth in this warranty, Crestron makes no other warranties, expressed or implied, nor authorizes any other party to offer any warranty, including any implied warranties of merchantability or fitness for a particular purpose. Any implied warranties that may be imposed by law are limited to the terms of this limited warranty. This warranty statement supersedes all previous warranties.

This page is intentionally left blank.



Crestron Electronics, Inc.  
15 Volvo Drive Rockleigh, NJ 07647  
Tel: 888.CRESTRON  
Fax: 201.767.7576  
[www.crestron.com](http://www.crestron.com)



Installation Guide – DOC. 7603B  
(2038158)

02.14

Specifications subject to  
change without notice.