

GLA-IR-QUATTRO-HD-COM2-24

by Steinel

Presence Detector



The IR Quattro HD COM2-24 is a low voltage, high definition, passive infrared presence detector setting a new standard in lighting and HVAC control with minimal movement required for human presence detection. Lighting is controlled in relation to both the presence of motion and ambient light levels. The HVAC output (isolated normally open and normally closed dry contacts) are signaled in relation to only the presence of motion. Features four pyroelectric detectors with a high performance lens system that creates a new global standard in detection with 4,800 switching zones. Operational choices of manual on or auto on with either momentary or maintained switch options. Included light level feature provides the option to turn lights off when sufficient daylight is present for additional energy savings. The innovative mechanical reach setting enables the designer with a precise method of controlling lighting zones by means of optimizing the sensors detection reach without compromising sensitivity providing true precise presence detection in the desired detection zone. The convenient "COM-Link" feature enables multiple sensors to link together via the communication link for peer to peer grouping achieving expanded detection zones with control set up functions set at only one primary sensor for the entire group. Mounting options provide for 4" Square box, 4" Octagon box, Round 3.0 Mud-Ring or directly to the ceiling with quick mount spring tabs. The available service and user wireless remotes provide simplified commissioning and occupant convenience.

The Control PRO group of presence detectors are available in multiple presence detection technologies for the control of heating, ventilation and air-conditioning as well as lighting (as in the COM2-24 versions) and optional 1-10 volt dimming and daylighting options (in the DIM-24 versions).

Applications

The typical application is for offices, schools and other indoor public building spaces.

Item No.	64470 IR Quattro HD COM2-24
Accessories	RC 3 service remote RC 4 user remote 65330 WGC wire guard cage
Voltage	18-24 VDC/VAC (34 mA)
Load Rating	control output - 1 A @ 30 VAC/VDC HVAC dry contacts - 1 A @ 30 VAC/VDC
Sensing Technology	passive infrared (PIR)
Time Delay Setting	control output - 30 sec. - 30 min. pulse mode (approx. 2 sec. 'ON' 8 sec. 'OFF') IQ mode (automatic adjustment to the usage profile) HVAC dry contacts: 0 sec. - 10 min. switch 'ON' delay 1 min. - 2 hrs. stay 'ON' time auto-HVAC mode
Light Level Setting	10 - 1000 lux / 1 - 100 fc
Environment	IP20 rated, 0° C to +40° C / 32° F to 104° F
Installation Height	2.5 - 10 m / 8 - 32 ft
Coverage at 9 ft	360° square mechanically scalable detection zones presence: max. 7.9 x 7.9 m (62.41 sq.m.) max. 25.5 x 25.5 ft (650.25 sq.ft.) radially: max. 7.9 x 7.9 m (62.41 sq.m.) max. 25.5 x 25.5 ft (650.25 sq.ft.) tangentially: max. 20 x 20 m (400.0 sq.m.) max. 65.5 x 65.5 ft (4,290.25 sq.ft.)
Lens Design	13 detection levels, 4800 switching zones
Dimensions	4.72 x 4.72 x 2.83 in, 120 x 120 x 72 mm (LxWxD)
Warranty	5 years
Certifications	C-UL-US Listed, RoHS compliant, UL 2043 Plenum Rated, CA Energy Code compliant

Key Features:

- Independent ON and OFF time settings for the HVAC (NO/NC)
- High Definition Detection with adjustable reach setting
- Square coverage pattern with 4800 switching zones
- Service and user wireless remotes available
- Manual ON mode (MAN) / Automatic mode (AUTO)
- Momentary / Maintained switch option
- 'ON' only / 'ON' & 'OFF' manual switching
- Light level feature turns lights off with sufficient daylight
- "COM-Link" allows up to 10 sensors to be grouped together
- Auto-HVAC mode reduces presence detection sensitivity and requires additional detection verification before signaling the HVAC output

HD

4800 PIR Detection Zones



26 x 26 Ft Presence
65 x 65 Ft Tangential



1 - 100 fc



18 - 24 VDC/VAC & HVAC



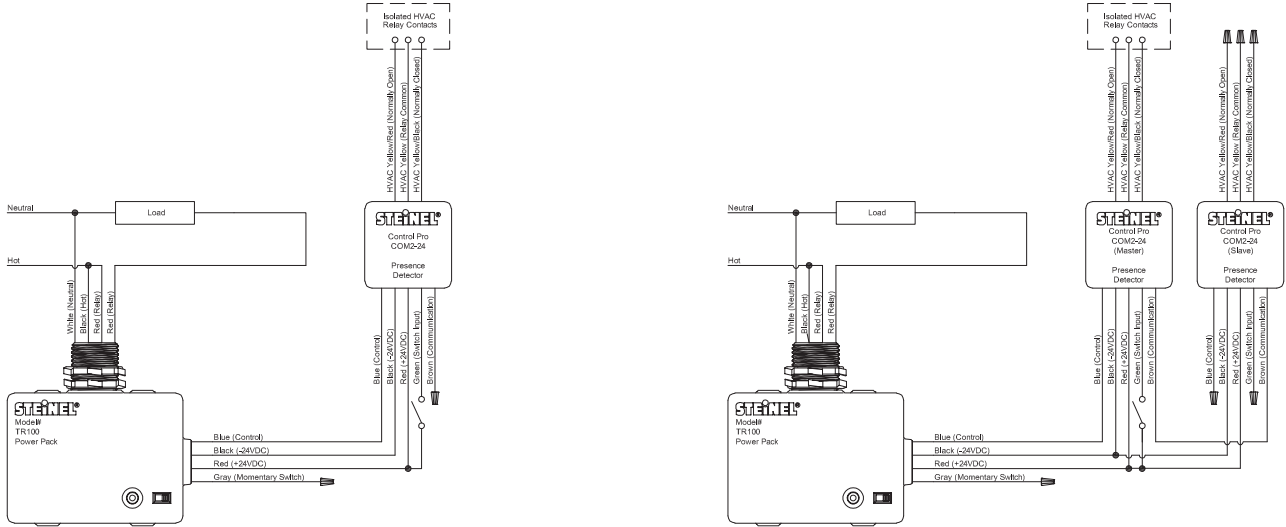
30 sec - 30 min

GLA-IR-QUATTRO-HD-COM2-24

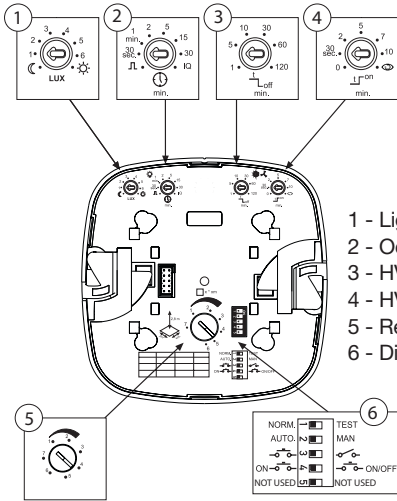
by Steinel
Presence Detector



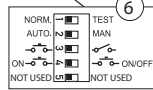
Wiring



Settings

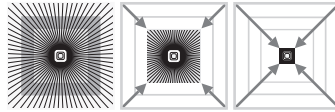


- 1 - Light level setting
- 2 - Occupancy time delay setting
- 3 - HVAC stay-'ON' time
- 4 - HVAC switch-'ON' delay
- 5 - Reach setting
- 6 - Dip switch settings



- DIP 1 - Normal mode / Test mode (NORM / TEST)
- DIP 2 - Manual ON mode (MAN) / Automatic mode (AUTO)
- DIP 3 - Momentary / Maintained switch option
- DIP 4 - 'ON' only / 'ON' & 'OFF' manual switching
- DIP 5 - Not used

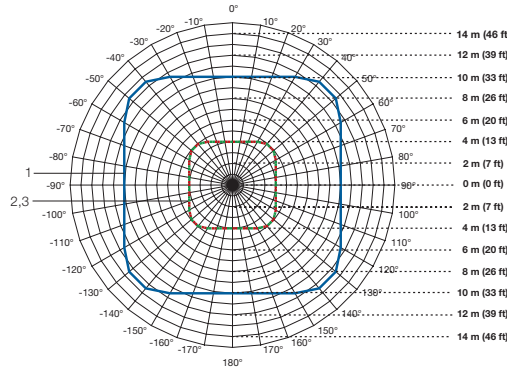
Mechanical Scalability



Coverage

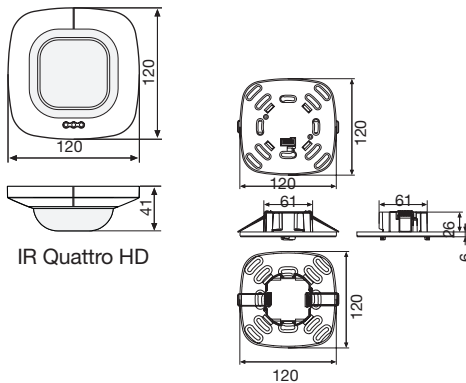
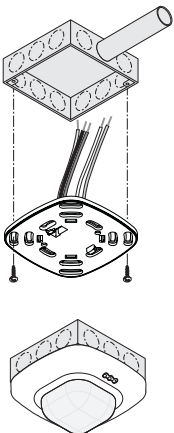
Shown at 9 ft mounting height. Coverage will vary depending on mounting height. See pages 4 & 5 of the instruction manual for coverage at heights from 8 to 26 ft. Maximum mounting height up to 32 ft.

One Gridline = 1 m / 3 ft

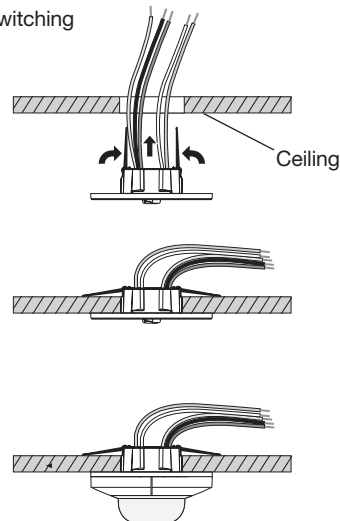


- 1 - Tangential - motion perpendicular to the sensor
20 x 20 m (65.6 x 65.6 ft)
- 2 - Radial - motion either directly toward or away from the sensor
8 x 8 m (26.25 x 26.25 ft)
- 3 - Presence - minor motion as described by NEMA WD7 with the additional requirement of both radial and tangential detection
8 x 8 m (26.25 x 26.25 ft)

Mounting



Mounts to a 4" Square box, 4" Octagon box or Round 3.0 Mud-Ring



Mounts directly to ceiling with quick mount spring tabs

