

# PROAMP(I)-7X250

## PROCISE™ High-Definition Professional Surround Sound Amplifier

### 1 Introduction

**NOTE:** The PROAMP-7X250 and the PROAMPI-7X250 are functionally identical. For simplicity, the name "PROAMP-7X250" is used throughout this guide.

The PROAMP-7X250 PROCISE™ High-Definition Professional Surround Sound Amplifier is a high-powered seven-channel amplifier designed for use with the PSPHD PROCISE High-Definition Surround Sound Processor. The PROAMP-7X250 is equipped with seven balanced XLR input connectors, seven speaker output terminal block connectors, Ethernet, and Cresnet®.

#### Contents

The PROAMP-7X250 package contains the following:

- (1) PROAMP-7X250 PROCISE High-Definition Professional Surround Sound Amplifier
- (1) AC power cord
- (1) CAT5e Ethernet patch cord
- Terminal block connectors for the **OUTPUT** and **NET** ports
- (1) Operations Guide
- This Quickstart Guide

#### Recommended Accessories

For optimum performance, Crestron® recommends the optional CBL-PRO-XLR-2 (two-foot cable length) or CBL-PRO-XLR-6 (six-foot cable length) cable kit for the PROAMP-7X250.

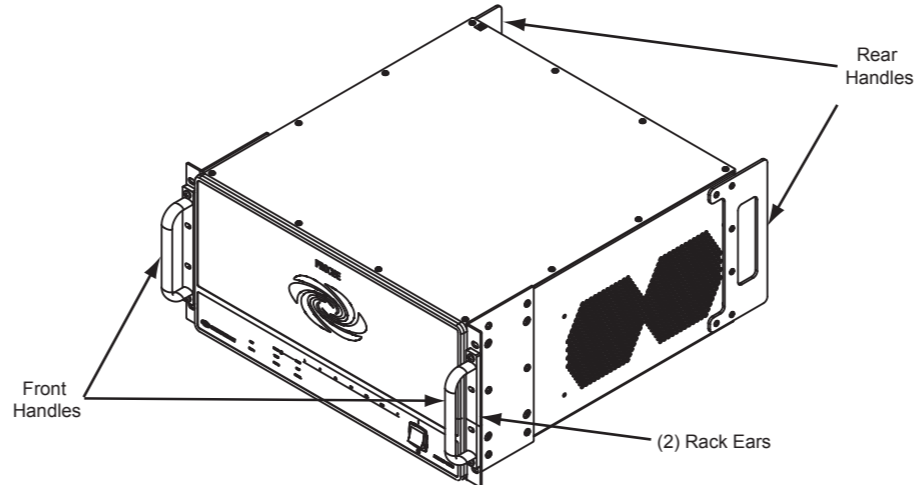
### 2 Installation

Observe the following guidelines when installing the PROAMP-7X250:

**WARNING:** Failure to observe the following installation guidelines may result in personal injury or damage to the equipment.

- The PROAMP-7X250 is very heavy; therefore, two people should lift and install the device.
- The installation location must be able to support the weight of the PROAMP-7X250. The weight is 105.0 lbs (48.0 kg).
- When installing the PROAMP-7X250 into a rack:
  - Load the rack from the bottom to the top with the heaviest components at the bottom of the rack.
  - If the rack is provided with stabilizing devices, install the stabilizers before mounting or servicing the unit in the rack.
- When wiring the amplifier, ensure that the amplifier's power switch is off.

As shown in the diagram below, rack ears and carrying handles (on front and rear of the amplifier) are preinstalled.



#### (Optional) Rack Installation

Using a #1 or #2 Phillips screwdriver, install the PROAMP-7X250 into a rack as follows:

1. Remove the feet on the bottom of the amplifier.
2. Position the amplifier into the rack and secure the device to the rack by screwing four rack screws (not included) into the top and bottom mounting holes of the rack ears.
3. Remove the front handles.
4. Install four more screws (not included) into the middle mounting holes of the rack ears.
5. (Optional) Remove the rear handles.

#### Hardware Hookup

**WARNING:** This amplifier is capable of delivering immense amounts of undistorted power to your loudspeakers. Please use caution and adequate ear protection if listening to content at high volume levels. Continued exposure to high sound pressure levels can cause permanent hearing impairment or loss.

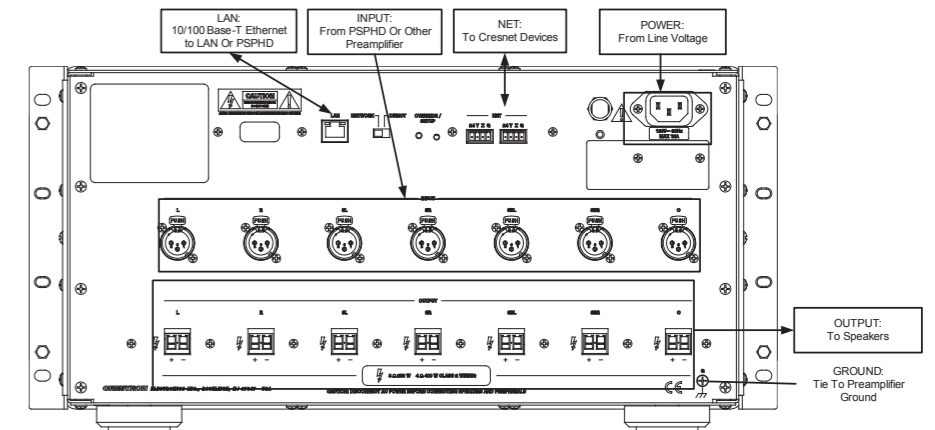
**CAUTION:** Keep the amplifier unplugged until all input, network, and speaker wiring is complete.

**CAUTION:** Do not bridge speaker outputs.

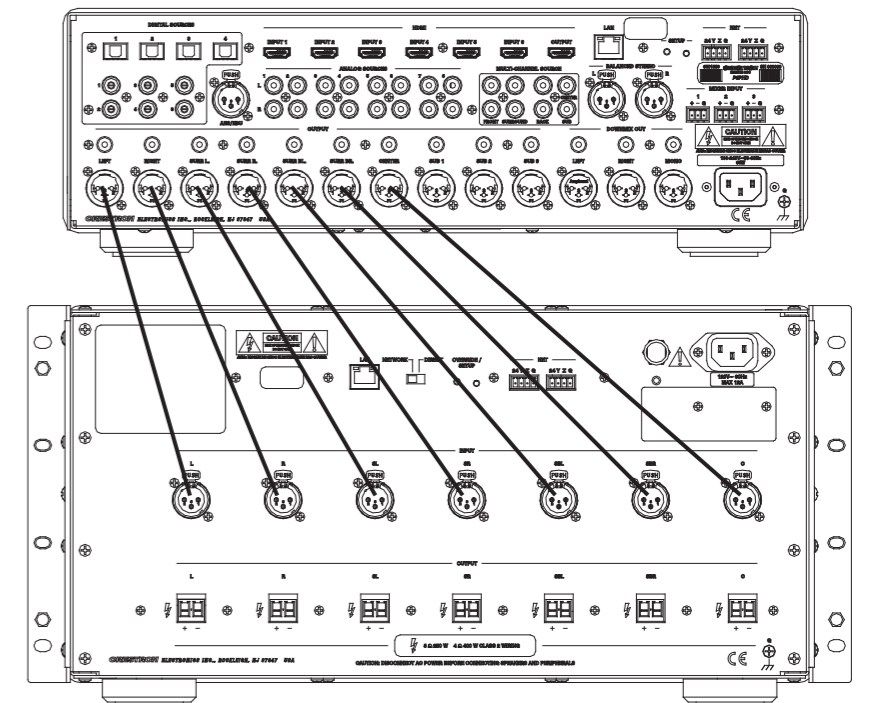
**CAUTION:** Check the speaker wires for shorts and frayed wiring around the connectors.

Connect the PROAMP-7X250 as shown in the diagram below. Connect the power cord last.

**NOTE:** If you are pairing the PROAMP-7X250 with the PSPHD using a direct connection, connect the included CAT5e cable from the **LAN** port on the amplifier to the **LAN** port on the PSPHD. When using a network connection to the PSPHD, connect the CAT5e cable from the **LAN** port on the amplifier to the local area network. When using a network connection, the PSPHD and the amplifier must be on the same subnet. For additional information about pairing, refer to section 4.



To connect the PROAMP-7X250 to a PSPHD, refer to the diagram below for additional connection information.



# PROAMP(I)-7X250

## PROCISE™ High-Definition Professional Surround Sound Amplifier

### 3 Testing Amplifier Operation

If desired, operation of the PROAMP-7X250 can be tested by placing the amplifier in *Override* mode. *Override* mode turns on all amplifier channels and ignores any commands from a control system or from a PSPHD (if connected to the amplifier).

To place the amplifier in *Override* mode:

1. With the amplifier powered on, press the **VERRIDE/SETUP** button on the rear of the PROAMP-7X250. The amplifier will be in the *Override* mode and the associated LED will light.
2. Test the amplifier as needed. If amplifier faults are indicated on the front panel, refer to the latest version of the PROAMP(I)-7X250 Operations Guide (Doc. 6974) for additional information and troubleshooting tips. The manual is available from the Crestron website ([www.crestron.com/manuals](http://www.crestron.com/manuals)).
3. Press **VERRIDE/SETUP** to exit the *Override* mode. The LED will extinguish.

### 4 Pairing

**NOTE:** Pairing is for use with the PSPHD only.

The PROAMP-7X250 can be paired with a PSPHD Surround Sound Processor for control and monitoring of the amplifier. Use the connection type that best fits the application:

- **NETWORK:** Choose **NETWORK** if you already have a DHCP network available and plan to eventually control the amplifier and PSPHD over a LAN, refer to section 4A.
- **DIRECT:** Choose **DIRECT** for a quick installation test without networking or LAN setup. The **LAN** port of the amplifier connects directly to the **LAN** port of the PSPHD.

To later integrate with a control system program controlling via the LAN, the pairing process must be executed again when the amplifier is installed on a network. The original pairing must be removed and then re-paired, refer to section 4B on page 3.

If the amplifier and PSPHD are to be controlled by Cresnet, pairing does not need to be repeated.

### 4A Pairing with a “Network” Connection

To pair the PROAMP-7X250 with the PSPHD use a “network” connection:

1. Using the **NETWORK/DIRECT** switch on the rear of the PROAMP-7X250, set the connection type to **NETWORK**.
2. Power on the PROAMP-7X250 and the PSPHD.

**NOTE:** If you change the position of the **NETWORK/DIRECT** switch again on the PROAMP-7X250, you must then power cycle the device in order for the new setting to take effect.

3. Using the **INSTALLER MENU** on the PSPHD, pair the PROAMP-7X250 with the PSPHD:
  - a. To open the **INSTALLER MENU**, press and hold the **HOME** and **DISPLAY** buttons simultaneously for approximately five seconds.
  - b. Turn the selection knob until **Network Setup** is displayed, and then press the selection knob.
  - c. Turn the selection knob until “Pair Crestron Amplifier” is displayed, and then press the selection knob to open the Amplifier Pairing Control.
  - d. Turn the selection knob to highlight **Network** as the connection type between the PSPHD and the PROAMP-7X250.

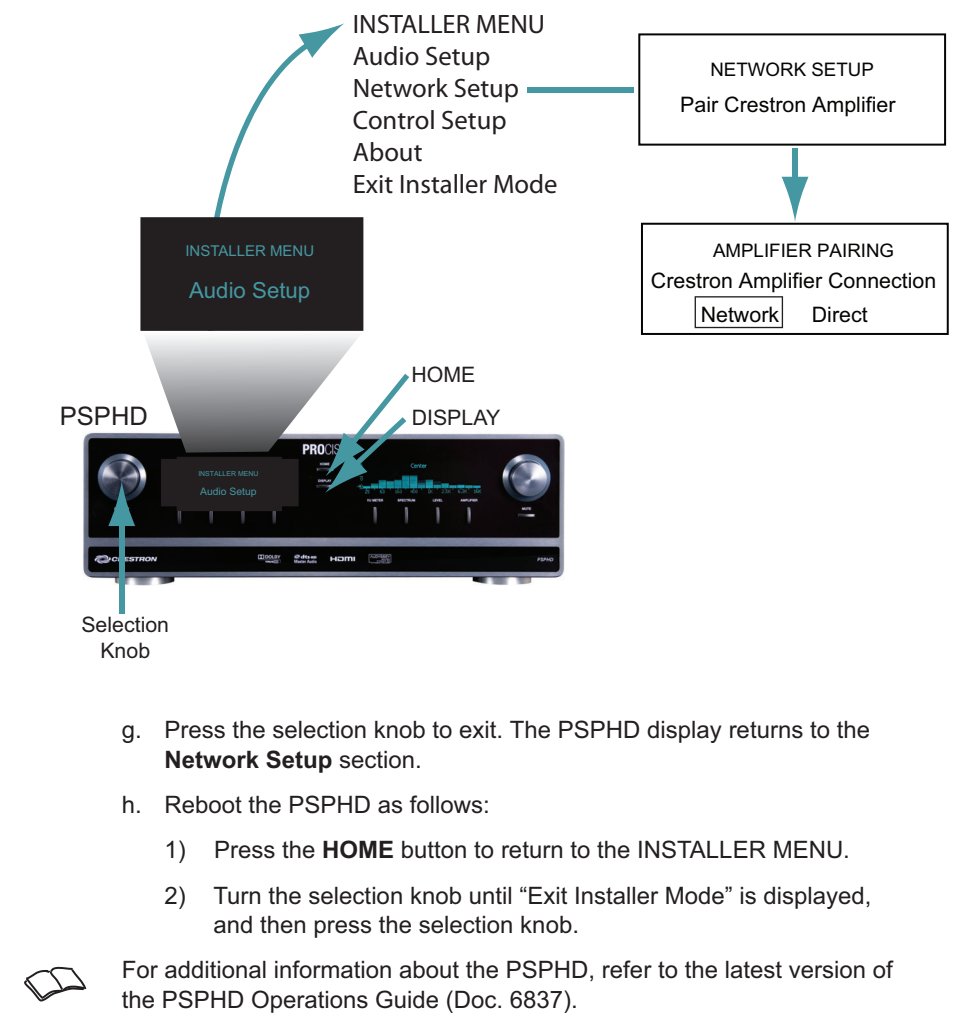
**NOTE:** The PSPHD and the PROAMP-7X250 must be set to the same connection type.

**NOTE:** When using the **Network** connection type, the PSPHD and the PROAMP-7X250 must be on the same subnet.

- e. Press the selection knob to select the **Network** connection type.
- f. When prompted on the PSPHD display, press either of the following buttons on the PROAMP-7x250 while the appropriate LEDs blink (about two minutes):
  - **RESET** (front panel). Press this button while the front panel LEDs blink.or
  - **VERRIDE/SETUP** (rear panel). Press this button while the red **VERRIDE/SETUP** LED blinks.

**NOTE:** If the **RESET** or **VERRIDE/SETUP** button is not pressed within two minutes, the LEDs stop blinking and the PSPHD display returns to the **Network Setup** section.

When the PSPHD is successfully paired with the PROAMP-7X250, a message is displayed indicating the successful pairing.



For additional information about the PSPHD, refer to the latest version of the PSPHD Operations Guide (Doc. 6837).

# PROAMP(I)-7X250

## PROCISE™ High-Definition Professional Surround Sound Amplifier

### 4B Pairing with a “Direct” Connection

To pair the PROAMP-7X250 with the PSPHD use a “direct” connection:

1. Using the **NETWORK/DIRECT** switch on the rear of the PROAMP-7X250, set the connection type to **DIRECT**.
2. Power on the PROAMP-7X250 and the PSPHD.

**NOTE:** If you change the position of the **NETWORK/DIRECT** switch again on the PROAMP-7X250, you must power cycle the device in order for the new setting to take effect.

3. Using the **INSTALLER MENU** on the PSPHD, pair the PROAMP-7X250 with the PSPHD:
  - a. To open the **INSTALLER MENU**, press and hold the **HOME** and **DISPLAY** buttons simultaneously for approximately five seconds.
  - b. Turn the selection knob until **Network Setup** is displayed, and then press the selection knob.
  - c. Turn the selection knob until “Pair Crestron Amplifier” is displayed, and then press the selection knob to open the Amplifier Pairing Control.
  - d. Turn the selection knob to highlight **Direct** as the connection type between the PSPHD and the PROAMP-7X250.

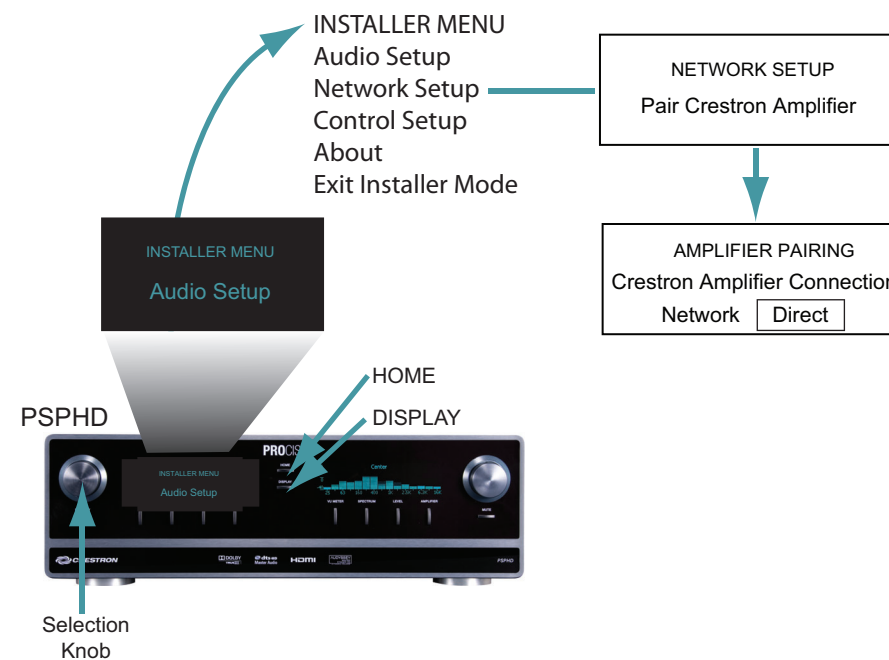
**NOTE:** The PSPHD and the PROAMP-7X250 must be set to the same connection type.

- e. Press the selection knob to select the **Direct** connection type.  
The PSPHD automatically reboots. After the PSPHD reboots, the PROAMP-7X250 and the PSPHD are paired.

For additional information about the PSPHD, refer to the latest version of the PSPHD Operations Guide (Doc. 6837).

### 5 Testing the Pairing Operation

To test that the PROAMP-7X250 and the PSPHD are paired, press the **DISPLAY** button on the PSPHD. Observe that the brightness of the PROAMP-7X250 front panel display tracks the brightness of the PSPHD front panel display. The tracking of the brightness indicates that the devices are paired.



### 6 Unpairing

To unpair the PROAMP-7X250 and PSPHD, you must clear pairing information from both devices.

1. To open the **INSTALLER MENU** on the PSPHD, press and hold the **HOME** and **DISPLAY** buttons simultaneously for approximately five seconds.
2. Turn the selection knob until **Network Setup** is displayed, and then press the selection knob.
3. Turn the selection knob until “Pair Crestron Amplifier” is displayed, and then press the selection knob to open the Amplifier Pairing Control.
4. When prompted, turn the selection knob to highlight the **Clear** option, and then press the selection knob.
5. When prompted by the PSPHD display as to whether you are sure that you want to clear the pairing information, turn the selection knob to **Yes**, and then press the selection knob.

The PSPHD automatically reboots. After the PSPHD reboots, it is unpaired.

6. To unpair the PROAMP-7X250, press and hold the **RESET** button on the front panel while you power cycle the device. The LEDs on the front panel blink, indicating that the PROAMP-7X250 is unpaired.