

IDOC-PAD-DSWC/IDOC-PAD2-DSWC iPanel® In-Wall Docking Station

The Crestron® IDOC-PAD-DSWC and IDOC-PAD2-DSWC iPanel® In-Wall Docking Stations are installed in the same manner and feature similar operation. For simplicity within this guide, the term “iPanel” is used except where noted. Similarly, “iPad” is used to denote iPad®, iPad 2, and the third generation iPad. The iPad is sold separately.

For the first generation iPad, use model IDOC-PAD-DSWC. For the iPad 2 or third generation iPad, use model IDOC-PAD2-DSWC. To convert the IDOC-PAD-DSWC to an IDOC-PAD2-DSWC, use the IDOC-PAD-DSW_CONVERSION_KIT (sold separately). Refer to the IDOC-PAD-DSW_CONVERSION_KIT DO Guide (Doc. 7777) at www.crestron.com/manuals for details.

DO Select a Mounting Option

The iPanel installs into a wall or lectern. It can be installed prior to hanging the drywall (pre-construction) or it can be installed after the drywall is hung (post-construction).

For post-construction installation, the iPanel is supplied with four mounting screws and mounting clips. It can be installed for right-handed use (right-hand installation) or left-handed use (left-hand installation). The included faceplate is for right-hand installation. For left-hand installation, use the IDOC-PAD-DSW-FPLFT (sold separately).

For pre-construction installation, use the PMK-IDOC-PAD-DSW Pre-Construction Wall Mount Kit (sold separately). It can be used for right-hand installation only.

If using the PMK-IDOC-PAD-DSW but an iPanel is not available, leave the hole in the mounting surface open (if permitted by local building codes) or attach the cover plate supplied with the PMK-IDOC-PAD-DSW.

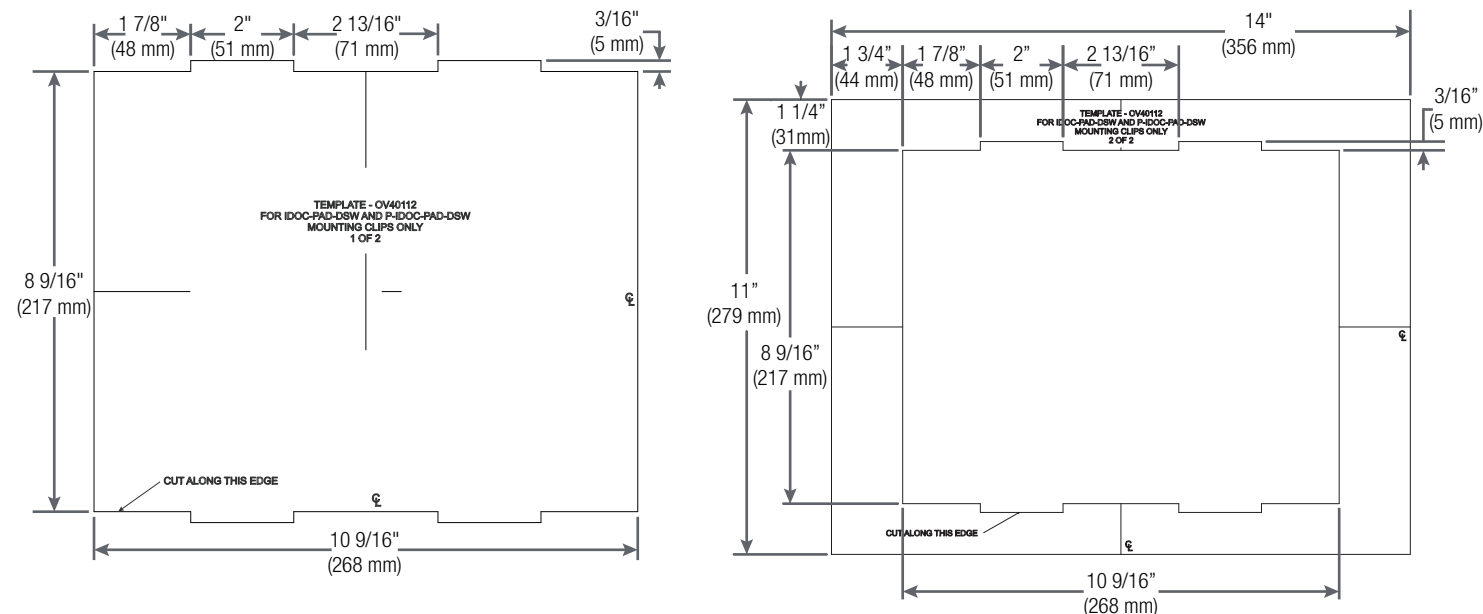
DO Install the Device

For pre-construction installation, mount the unit to the PMK-IDOC-PAD-DSW using the included #04-40 x 2” Pan Head screws and install the included faceplate.

For post-construction installation, mount the unit into the wall and install the included faceplate. The only tools required are masking tape (or equivalent), a level, a gypsum board saw (or equivalent), and a #2 Phillips head screwdriver. The following installation procedures are for post-construction installation.

Prepare the Installation Area

The iPanel is designed to be mounted into a wall or lectern. Two overlay cutout templates are supplied: one is in the shape of the required opening and the other is a frame, with the inner area representing the shape of the required opening (refer to the illustrations below).



DO Check the Box

QUANTITY	PRODUCT	PART NUMBER
4	Clip, Mounting	2014237
1	Template, Overlay Cutout	4513896
1	Connector, 2-pin	2003574
4	Screw, 06-AB x 2 1/2", Pan Head, Phillips	2014276
4	Screw, 04-40 x 2", Pan Head, Phillips	2018793

* The #04-40 x 2” screws are for use with iPanel mounting kits such as the PMK-IDOC-PAD-DSW (sold separately).

Use the template that is most convenient to perform the following procedure:

1. Locate an area on the wall that is free of miscellaneous wiring and studs.

NOTE: The iPanel requires 10 inches (254 mm) of clearance on the right side (for right-hand installation) or left side (for left-hand installation) to allow the iPad to be removed from the iPanel.

2. Make a small hole near the middle of the designated site, and verify that the location is suitable for installation.

3. Using masking tape (or equivalent), fasten the template to the wall, verify that the template is level, and trace the opening shape on the wall.

4. Cut out the traced shape to produce the required opening.

Install the iPanel

The iPanel can be installed into a PMK-IDOC-PAD-DSW or a wall opening using the included mounting clips. Choose one of the following options.

NOTE: Before inserting the iPanel, ensure that a cable that is capable of supplying the required power has been installed in the wall.

PMK-IDOC-PAD-DSW

Perform the following procedure to install the iPanel into a PMK-IDOC-PAD-DSW:

1. Using the supplied connector, connect the 24 Vdc cable to the POWER INPUT 24 VDC port.
2. Install the iPanel into the PMK-IDOC-PAD-DSW. Refer to the PMK-IDOC-PAD-DSW DO Guide (Doc. 7783) at crestron.com/manuals for details.

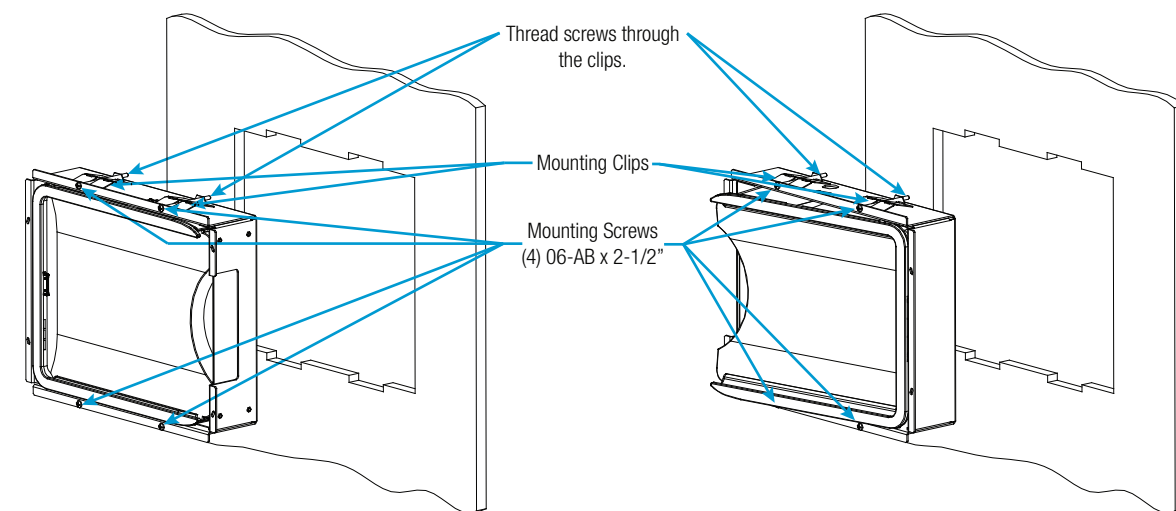
NOTE: If a PMK-IDOC-PAD-DSW is to be used, the iPanel must be mounted with the opening facing right.

Wall Opening with Mounting Clips

Perform the following procedure to place the iPanel into a mounting hole:

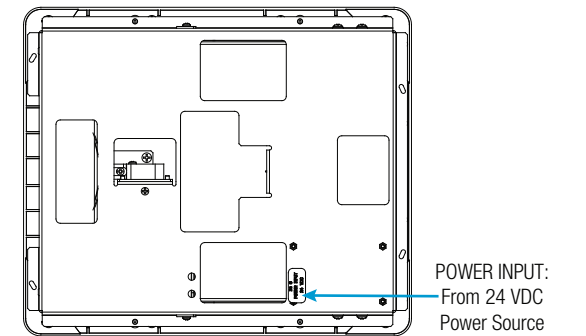
1. Install the four supplied 06-AB x 2-1/2” screws and mounting clips so that two are on the top and two are on the bottom.

- a. Insert the screws through the iPanel’s flange and then through the larger hole in the mounting clip.
- b. Thread the screws through the smaller hole in the mounting clips and tighten the screws only enough so that the mounting clips are brought flush with the rear of the iPanel’s flange. Do not compress the mounting clips at this time.



2. Using the supplied connector, connect the 24 Vdc cable to the POWER INPUT 24 VDC port, and position the iPanel in the mounting hole.

3. Tighten the mounting screws evenly and only enough to compress the mounting clips and secure the iPanel squarely in the mounting surface. Do not over-tighten the screws.



Install the Faceplate

Once the iPanel has been installed in the mounting hole, the faceplate can be attached. Use the included faceplate for right-hand installations only. For left-hand installation, use the IDOC-PAD-DSWC-FPLT.

1. Carefully position the faceplate over the face of the iPanel.
2. Ensure that the faceplate is oriented properly and press against the iPanel until the faceplate snaps into place.

Remove the iPanel

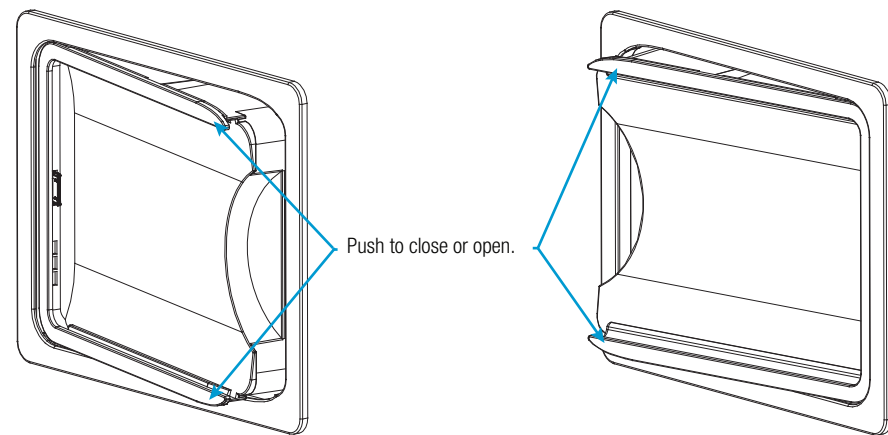
To remove the iPanel after it has been installed into a mounting surface, perform the following procedure. The only tool required is a #2 Phillips head screwdriver.

1. If the iPad is in the iPanel, remove it as described in "Remove the iPad."
2. Lift one edge of the faceplate to free it from the iPanel, and lift the faceplate off.
3. Loosen and remove the screws that secure the iPanel to the mounting option in use.
NOTE: If the mounting clips were used, make sure that the screws stay attached to their mounting clips.
4. Using equal pressure, carefully remove the iPanel from the opening.

If necessary, secure and label the attached power cable before disconnecting it from the back of the iPanel.

DO Use the Device

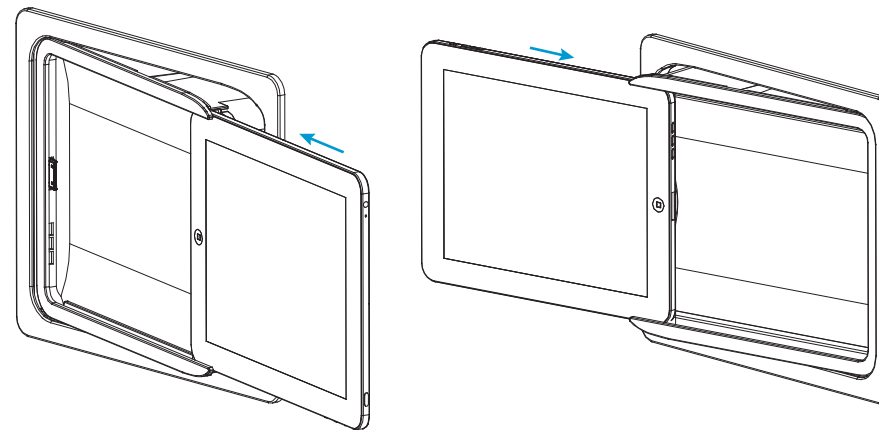
The iPanel contains a retractable sleeve that provides a power connection for the iPad while also providing a flush-mount appearance. The sleeve is moved from the open position to the closed position by pushing the sleeve.



Insert the iPad

To insert the iPad into the iPanel, perform the following procedure:

1. Hold the iPad horizontally with the iPad's dock connector facing into the iPanel and slide it into the iPanel's retractable sleeve until the iPad connects with the dock connector.

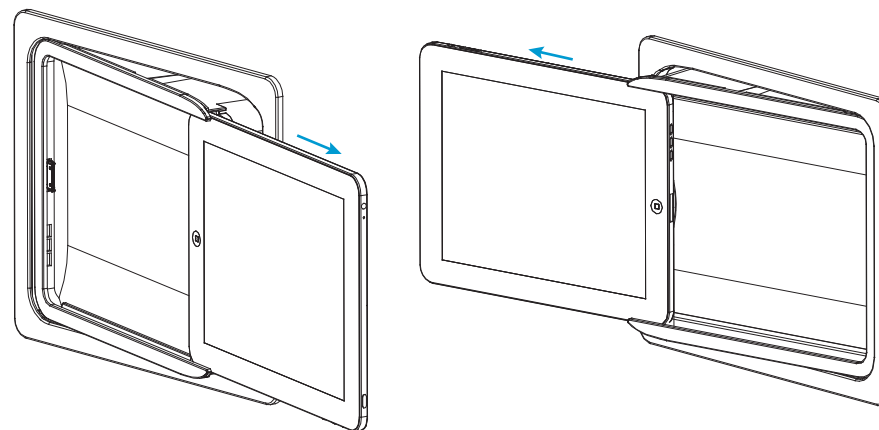


2. Push the sleeve to make the sleeve flush with the wall.

Remove the iPad

To remove the iPad from the iPanel, perform the following procedure:

1. Push the sleeve to make the sleeve pop out of the wall.
2. Hold the side of the iPad and pull it out of the sleeve.



DO Learn More

Visit the website for additional information and the latest firmware updates.

Crestron Electronics
15 Volvo Drive, Rockleigh, NJ 07647
888.CRESTRON | www.crestron.com



CE As of the date of manufacture, the product has been tested and found to comply with specifications for CE marking.

Federal Communications Commission (FCC) Compliance Statement

This device complies with part 15 of the FCC Rules. Operation is subject to the following conditions:

(1) This device may not cause harmful interference and (2) this device must accept any interference received, including interference that may cause undesired operation.

Caution: Changes or modifications not expressly approved by the manufacturer responsible for compliance could void the user's authority to operate the equipment.

Note: This equipment has been tested and found to comply with the limits for a Class B digital device, pursuant to part 15 of the FCC Rules. These limits are designed to provide reasonable protection against harmful interference in a residential installation. This equipment generates, uses and can radiate radio frequency energy and, if not installed and used in accordance with the instructions, may cause harmful interference to radio communications. However, there is no guarantee that interference will not occur in a particular installation.

If this equipment does cause harmful interference to radio or television reception, which can be determined by turning the equipment off and on, the user is encouraged to try to correct the interference by one or more of the following measures:

- Reorient or relocate the receiving antenna
- Increase the separation between the equipment and receiver
- Connect the equipment into an outlet on a circuit different from that to which the receiver is connected
- Consult the dealer or an experienced radio/TV technician for help

Industry Canada (IC) Compliance Statement

CAN ICES-3(B)/NMB-3(B)

The specific patents that cover Crestron products are listed at www.patents.crestron.com.

Crestron, the Crestron logo, and iPanel are either trademarks or registered trademarks of Crestron Electronics, Inc. in the United States and/or other countries. iPad is either a trademark or registered trademark of Apple, Inc. in the United States and/or other countries. Other trademarks, registered trademarks, and trade names may be used in this document to refer to either the entities claiming the marks and names or their products. Crestron disclaims any proprietary interest in the marks and names of others. Crestron is not responsible for errors in typography or photography. This document was written by the Technical Publications department at Crestron.

©2015 Crestron Electronics, Inc.

The product warranty can be found at www.crestron.com/warranty.