



Description

The Crestron drapery track motors, CSM-QMTDC-DRP-3-CN and CSM-QMTDC-DRP-3-EX, are easily replaceable. Refer to the procedure that follows for details.

Additional Resources

Visit the product page on the Crestron website (www.crestron.com) for additional information and the latest firmware updates. Use a QR reader application on your mobile device to scan the QR images.



CSM-QMTDC-DRP-3-EX

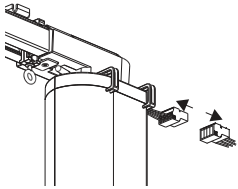


CSM-QMTDC-DRP-3-CN

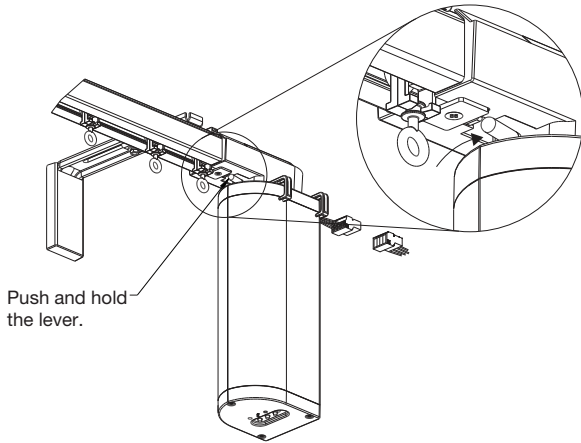
Installation

NOTE: Before using the CSM-QMTDC-DRP-3-CN or CSM-QMTDC-DRP-3-EX, ensure the device is using the latest firmware. Check for the latest firmware for the CSM-QMTDC-DRP-3-CN or CSM-QMTDC-DRP-3-EX at www.crestron.com/firmware. Firmware is loaded onto the device using Crestron Toolbox™ software.

1. Disconnect the Cresnet® power cable.



2. Push and hold the lever.

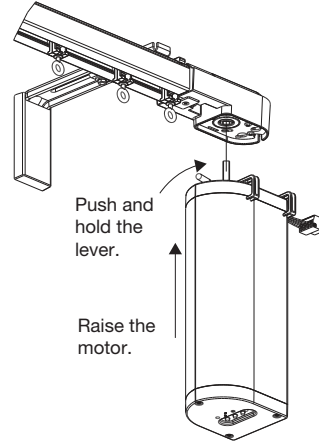


Push and hold the lever.

3. Pull the motor straight down to remove it from the track.
4. Push and hold the lever on the new motor and insert the metal driveshaft into the pulley.

WARNING: Ensure that the motor is properly secured before letting go of the motor. If the motor is not properly secured it can fall and result in damage to the unit or bodily harm.

5. Fully press the motor onto the pulley and release the lever.



Push and hold the lever.

Raise the motor.

8. Connect the Cresnet® power cable.
9. Program the motor. Refer to the CSM-QMTDC-DRP-3-CN and CSM-QMTDC-DRP-3-EX Programming Guide (Doc. 7829) at www.crestron.com/manuals for more information.

The product warranty can be found at www.crestron.com/warranty.

The specific patents that cover Crestron products are listed at patents.crestron.com.

Certain Crestron products contain open source software. For specific information, please visit www.crestron.com/opensource.

Crestron, the Crestron logo, Cresnet, and Crestron Toolbox are either trademarks or registered trademarks of Crestron Electronics, Inc. in the United States and/or other countries. Other trademarks, registered trademarks, and trade names may be used in this document to refer to either the entities claiming the marks and names or their products. Crestron disclaims any proprietary interest in the marks and names of others. Crestron is not responsible for errors in typography or photography.

This document was written by the Technical Publications department at Crestron.

©2016 Crestron Electronics, Inc.

Crestron Electronics, Inc.
15 Volvo Drive Rockleigh, NJ 07647
Tel: 888.CRESTRON
Fax: 201.767.7576
www.crestron.com

Installation Guide - DOC. 7907A
(2047056)
06.16

Specifications subject to
change without notice.