

Crestron **MK-IM-RX**  
Pole Mount Kit for iMedia Receivers  

---

Installation Guide



This document was prepared and written by the Technical Documentation department at:



Crestron Electronics, Inc.

15 Volvo Drive

Rockleigh, NJ 07647

1-888-CRESTRON

# Contents

<b>Pole Mount Kit for iMedia Receivers: MK-IM-RX</b>	<b>1</b>
Introduction .....	1
Features and Functions .....	1
Physical Description .....	1
Assembly to the iMedia Receiver .....	3
Problem Solving .....	9
Further Inquiries .....	9
Future Updates .....	9
Return and Warranty Policies .....	10
Merchandise Returns / Repair Service .....	10
CRESTRON Limited Warranty .....	10



# Pole Mount Kit for iMedia Receivers: MK-IM-RX

## Introduction

### Features and Functions

- Pole mounting kit for iMedia receivers
- Mounts any steel pole with 1.5 to 2.0 inch outer diameter
- Top or side mount to any iMedia receiver

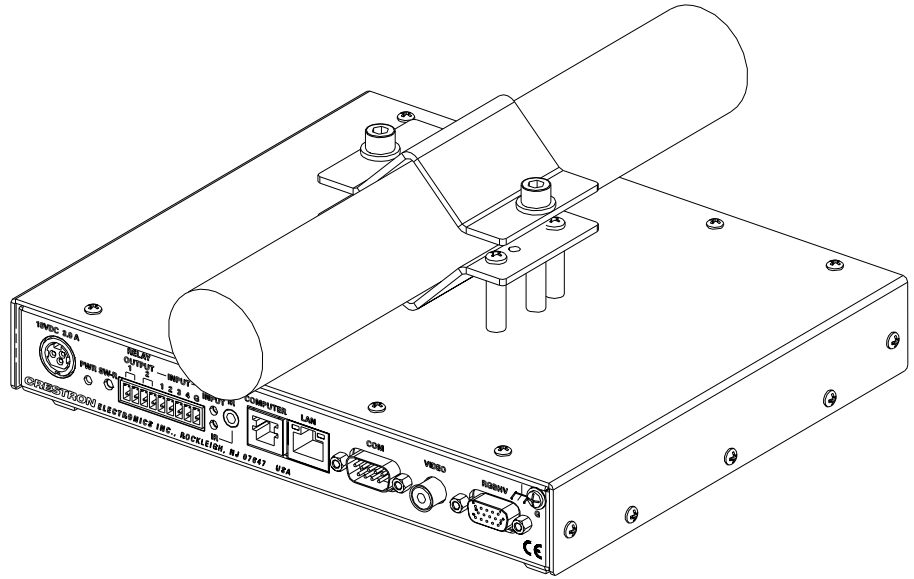
### Supplied Components

DESCRIPTION	PART NUMBER	QTY
Metal Bracket, Mounting, Top	2009784	1
Metal Bracket, Mounting, Bottom	2009785	1
1/4"-20 Screw, 1.5"L, Stainless Steel, Socket, Black	2009932	2
#6-32 Screw, 1.25"L, Stainless Steel, Pan Phil, Black	2009913	4
Washer, Flat, Steel, B Narrow 0.500" OD, 0.281" ID, 0.063" TH, Black	2009915	2
#6 Spacer, 7/8"L, Round, .250"OD, Black	2009911	4
Metal Plate, Pole Mount	2014343	1

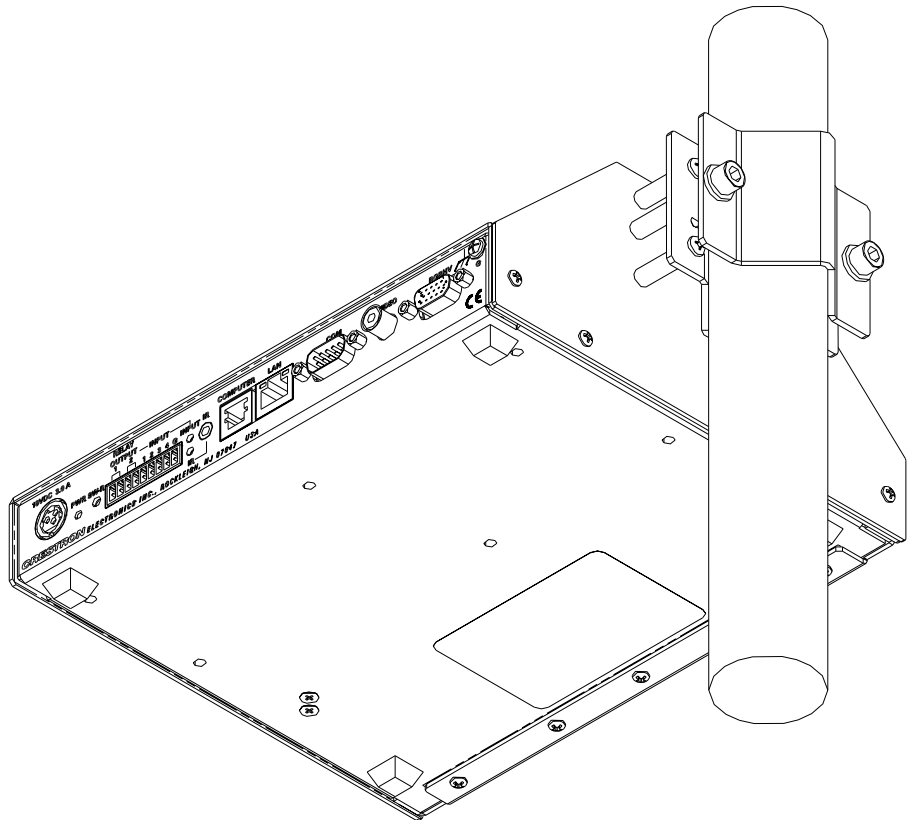
### Physical Description

The MK-IM-RX is a steel mounting kit that allows iMedia receivers to be attached to a pole that holds a projector. The kit can attach to the top or side of the receiver as shown in the following diagrams.

*Top-Mounted iMedia Receiver*



*Side-Mounted iMedia Receiver*



---

## Assembly to the iMedia Receiver

The MK-IM-RX can be assembled and mounted to either the top or the side of an iMedia receiver. Choose the appropriate mounting style for your application.

### *Required Tools*

#1 Phillips screwdriver

¼" Allen wrench

### *Top Mount*

---

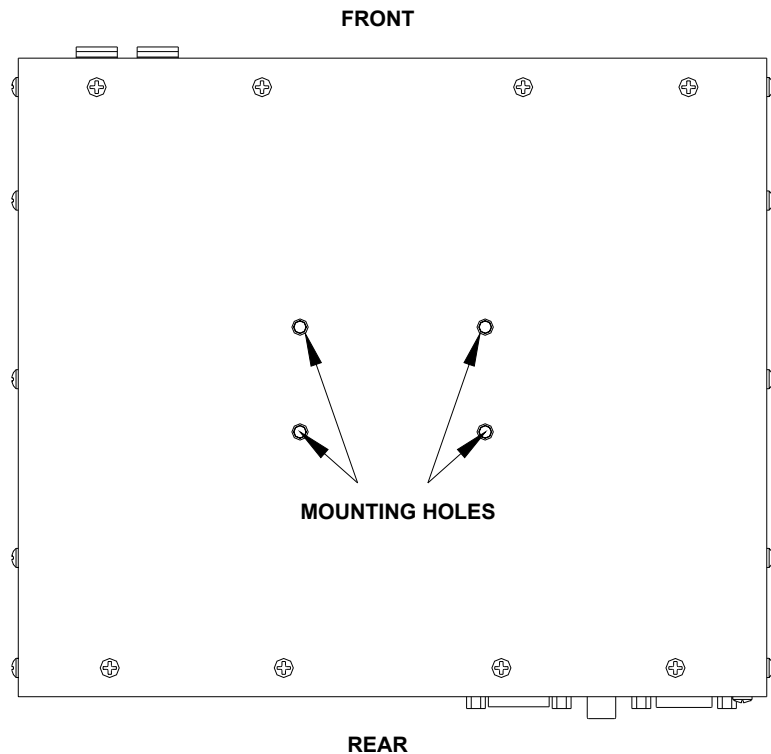
**NOTE:** When installing, observe all local safety codes.

---

To mount the MK-IM-RX to the top of an iMedia receiver, perform the following:

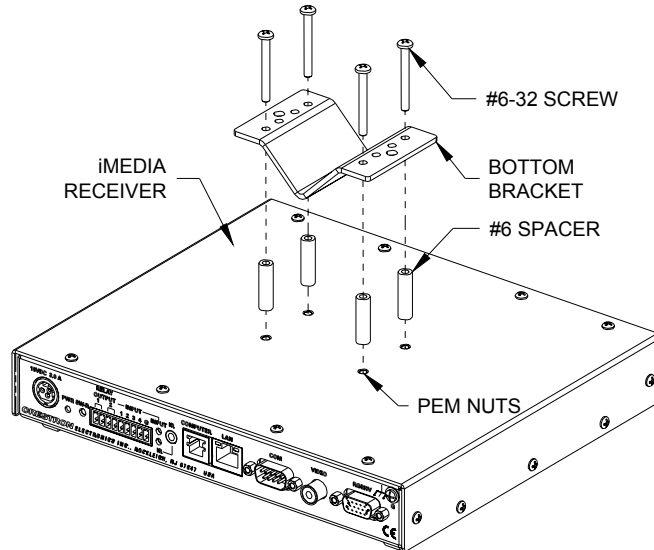
1. Locate the mounting holes in the top cover of the iMedia receiver.

#### *Top Cover Mounting Holes*



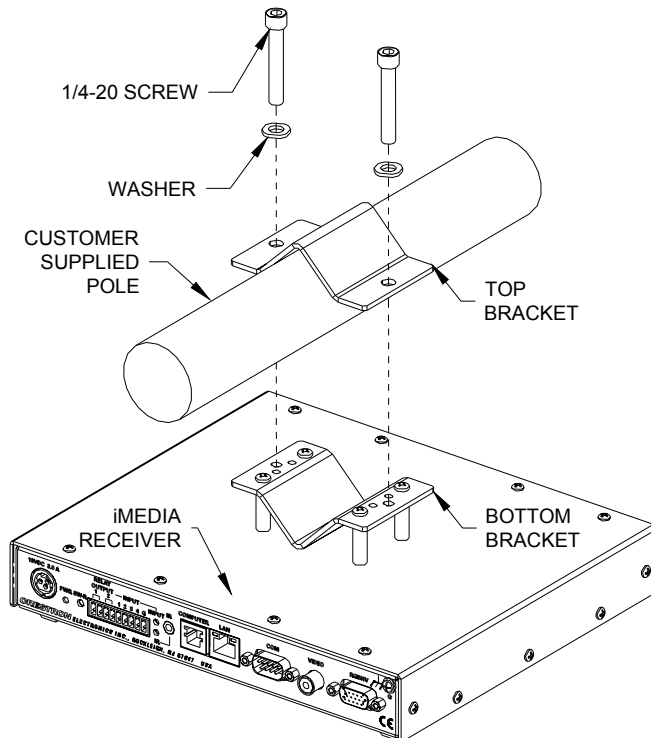
2. Attach the bottom bracket of the MK-IM-RX to the iMedia receiver's mounting holes using the four #6-32 screws and spacers provided. The mounting holes have PEM nuts to hold the screws.

***Attaching Bottom Bracket to Mounting Holes***



3. Secure the assembly to the customer-supplied pole by using the top bracket and the two 1/4"-20 screws and washers provided.

***Securing Assembly to Pole***

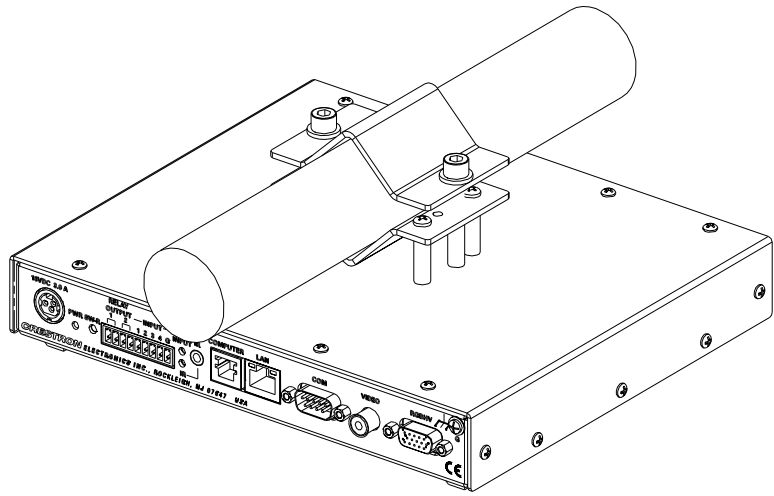


**NOTE:** An Allen wrench is required to tighten the 1/4"-20 screws.



4. Connect iMedia transmitters and display devices to the mounted iMedia receiver.

*Top-Mounted iMedia Receiver*



**Side Mount**

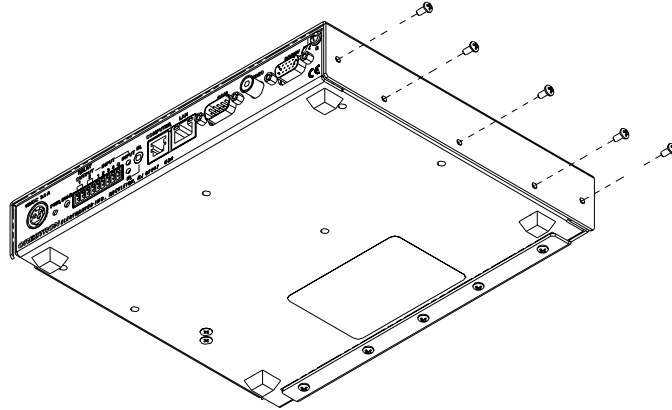
---

**NOTE:** When installing, observe all local safety codes.

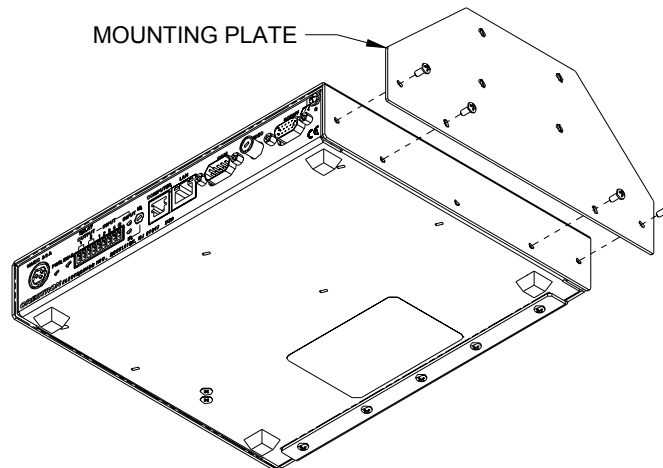
---

The MK-IM-RX attaches to the iMedia receiver in a side-mount application with the included mounting plate. To mount the MK-IM-RX to the side of an iMedia receiver, perform the following:

1. Remove all of the cover screws from the side of the iMedia receiver.

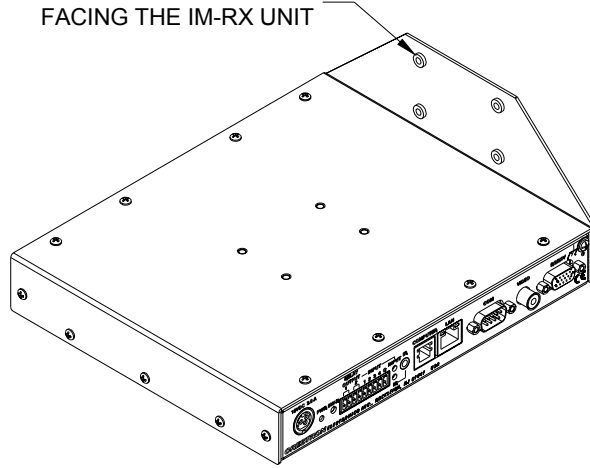
***Remove Cover Screws***

2. Attach the mounting plate of the MK-IM-RX (with the integrated PEM nuts facing the receiver) to the side of the iMedia receiver's mounting holes using four of the screws removed from the previous step. Tighten the outer screws prior to tightening the inner screws.

***Attach Mounting Plate***

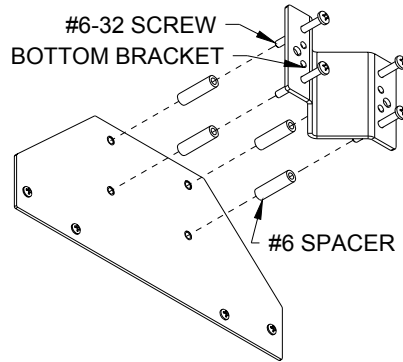
*Locating the PEM Nuts*

NUTS MUST BE ON THE SIDE  
FACING THE IM-RX UNIT



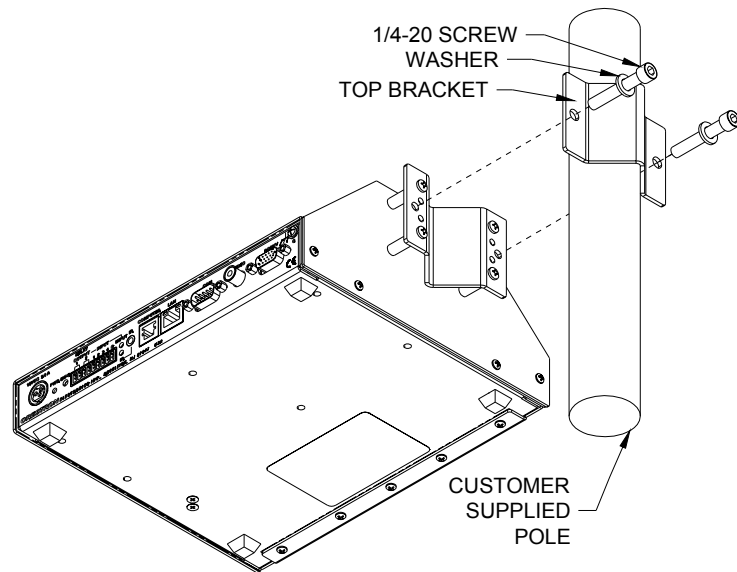
3. Attach the bottom bracket of the MK-IM-RX to the attached mounting plate using the four #6-32 screws and spacers provided.

*Attaching Bottom Bracket to Mounting Plate*



- Secure the assembly to the customer-supplied pole with the top bracket and the two 1/4"-20 screws and washers provided.

***Securing Assembly to Pole***



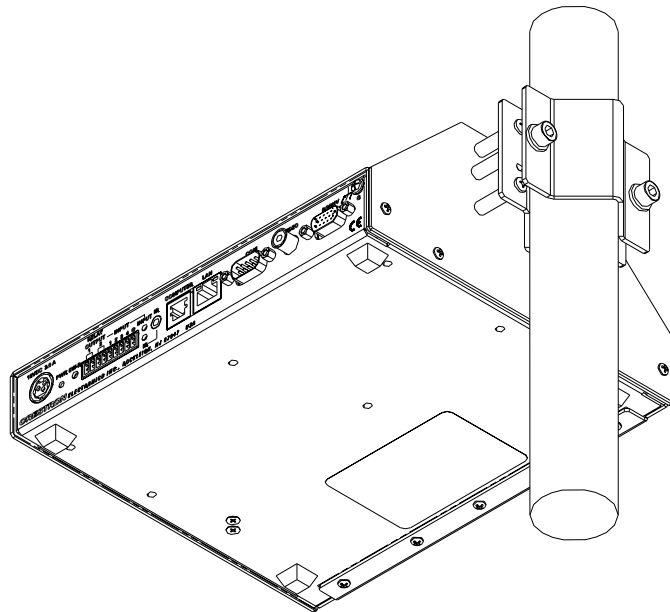
---

**NOTE:** An Allen wrench is required to tighten the 1/4"-20 screws.

---

- Connect iMedia transmitters and display devices to the mounted iMedia receiver.

***Side-Mounted iMedia Receiver***



## Problem Solving

### Further Inquiries

If you cannot locate specific information or have questions after reviewing this guide, please take advantage of Crestron's award winning customer service team by calling the Crestron corporate headquarters at 1-888-CRESTRON [1-888-273-7876]. For assistance in your local time zone, refer to the Crestron website (<http://www.crestron.com/>) for a listing of Crestron worldwide offices.

You can also log onto the online help section of the Crestron website to ask questions about Crestron products. First-time users will need to establish a user account to fully benefit from all available features.

### Future Updates

As Crestron improves functions, adds new features, and extends the capabilities of the MK-IM-RX, additional information may be made available as manual updates. These updates are solely electronic and serve as intermediary supplements prior to the release of a complete technical documentation revision.

Check the Crestron website periodically for manual update availability and its relevance. Updates are identified as an “Addendum” in the Download column.

---

## Return and Warranty Policies

### Merchandise Returns / Repair Service

1. No merchandise may be returned for credit, exchange, or service without prior authorization from CRESTRON. To obtain warranty service for CRESTRON products, contact an authorized CRESTRON dealer. Only authorized CRESTRON dealers may contact the factory and request an RMA (Return Merchandise Authorization) number. Enclose a note specifying the nature of the problem, name and phone number of contact person, RMA number, and return address.
2. Products may be returned for credit, exchange, or service with a CRESTRON Return Merchandise Authorization (RMA) number. Authorized returns must be shipped freight prepaid to CRESTRON, 6 Volvo Drive, Rockleigh, N.J. or its authorized subsidiaries, with RMA number clearly marked on the outside of all cartons. Shipments arriving freight collect or without an RMA number shall be subject to refusal. CRESTRON reserves the right in its sole and absolute discretion to charge a 15% restocking fee, plus shipping costs, on any products returned with an RMA.
3. Return freight charges following repair of items under warranty shall be paid by CRESTRON, shipping by standard ground carrier. In the event repairs are found to be non-warranty, return freight costs shall be paid by the purchaser.

### CRESTRON Limited Warranty

CRESTRON ELECTRONICS, Inc. warrants its products to be free from manufacturing defects in materials and workmanship under normal use for a period of three (3) years from the date of purchase from CRESTRON, with the following exceptions: disk drives and any other moving or rotating mechanical parts, pan/tilt heads and power supplies are covered for a period of one (1) year; touchscreen display and overlay components are covered for 90 days; batteries and incandescent lamps are not covered.

This warranty extends to products purchased directly from CRESTRON or an authorized CRESTRON dealer. Purchasers should inquire of the dealer regarding the nature and extent of the dealer's warranty, if any.

CRESTRON shall not be liable to honor the terms of this warranty if the product has been used in any application other than that for which it was intended, or if it has been subjected to misuse, accidental damage, modification, or improper installation procedures. Furthermore, this warranty does not cover any product that has had the serial number altered, defaced, or removed.

This warranty shall be the sole and exclusive remedy to the original purchaser. In no event shall CRESTRON be liable for incidental or consequential damages of any kind (property or economic damages inclusive) arising from the sale or use of this equipment. CRESTRON is not liable for any claim made by a third party or made by the purchaser for a third party.

CRESTRON shall, at its option, repair or replace any product found defective, without charge for parts or labor. Repaired or replaced equipment and parts supplied under this warranty shall be covered only by the unexpired portion of the warranty.

Except as expressly set forth in this warranty, CRESTRON makes no other warranties, expressed or implied, nor authorizes any other party to offer any warranty, including any implied warranties of merchantability or fitness for a particular purpose. Any implied warranties that may be imposed by law are limited to the terms of this limited warranty. This warranty statement supersedes all previous warranties.

#### Trademark Information

All brand names, product names, and trademarks are the sole property of their respective owners. Windows is a registered trademark of Microsoft Corporation. Windows95/98/Me/XP and WindowsNT/2000 are trademarks of Microsoft Corporation.

This page intentionally left blank.



**Crestron Electronics, Inc.**  
15 Volvo Drive Rockleigh, NJ 07647  
Tel: 888.CRESTRON  
Fax: 201.767.7576  
[www.crestron.com](http://www.crestron.com)

**Installation Guide – DOC. 6451**  
**(2014346)**  
**05.06**  
Specifications subject to  
change without notice.