

Crestron **WMK-BB-IDOCV-DSW**
Post-Construction Mounting Kit for
CEN-IDOCV-DSW

Installation Guide



This document was prepared and written by the Technical Documentation department at:



Crestron Electronics, Inc.

15 Volvo Drive

Rockleigh, NJ 07647

1-888-CRESTRON

Industry Compliance

As of the date of manufacture, the WMK-BB-IDOCV-DSW has been tested and found to comply with specifications for CE marking and standards per EMC and Radiocommunications Compliance Labelling.



Contents

Post-Construction Mounting Kit for CEN-IDOCV-DSW: WMK-BB-IDOCV-DSW	1
Description.....	1
Setup.....	2
Supplied Hardware.....	2
Installation.....	6
Resources.....	10
Reference Documents.....	10
Further Inquiries.....	10
Future Updates.....	10
Return and Warranty Policies.....	11
Merchandise Returns / Repair Service.....	11
CRESTRON Limited Warranty.....	11

Post-Construction Mounting Kit for CEN-IDOCV-DSW: WMK-BB-IDOCV-DSW

Description

The WMK-BB-IDOCV-DSW is the mounting option for the Crestron[®] CEN-IDOCV-DSW Wall Mount Interface for Apple[®] iPod[®] when the drywall or paneling has already been hung.

The WMK-BB-IDOCV-DSW is a post-construction kit.

Post-construction refers to framed walls with drywall or paneling hung. It is designed to be placed within a cutout made in the mounting surface and secured with the integrated clamps. This enables the mounting option to be placed anywhere on a wall without the support of a stud.

Setup

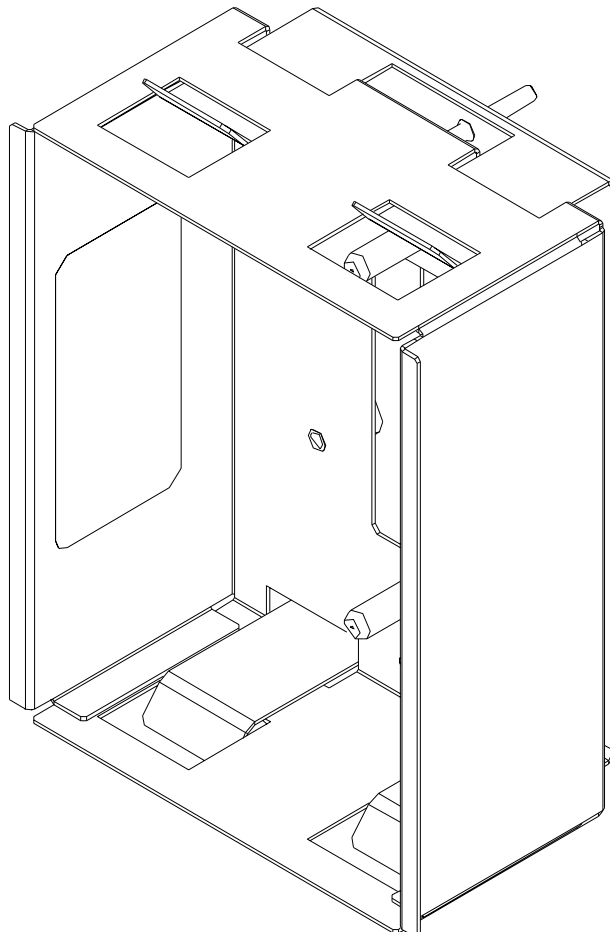
Supplied Hardware

The WMK-BB-IDOCV-DSW consists of a back box assembly that fastens to a cutout within drywall or paneling from 1/2" to 3/4" (13 mm to 19 mm) thick, as well as a cutout template.

The back box assembly (4509344) provides the necessary support for post-construction applications. An overlay cutout template (4509339) is supplied to assure the neat and accurate cutout that is required for the back box assembly, refer to the illustration on page 5 for visual guidance. Separate the wall cutout template along the perforated lines to use the template.

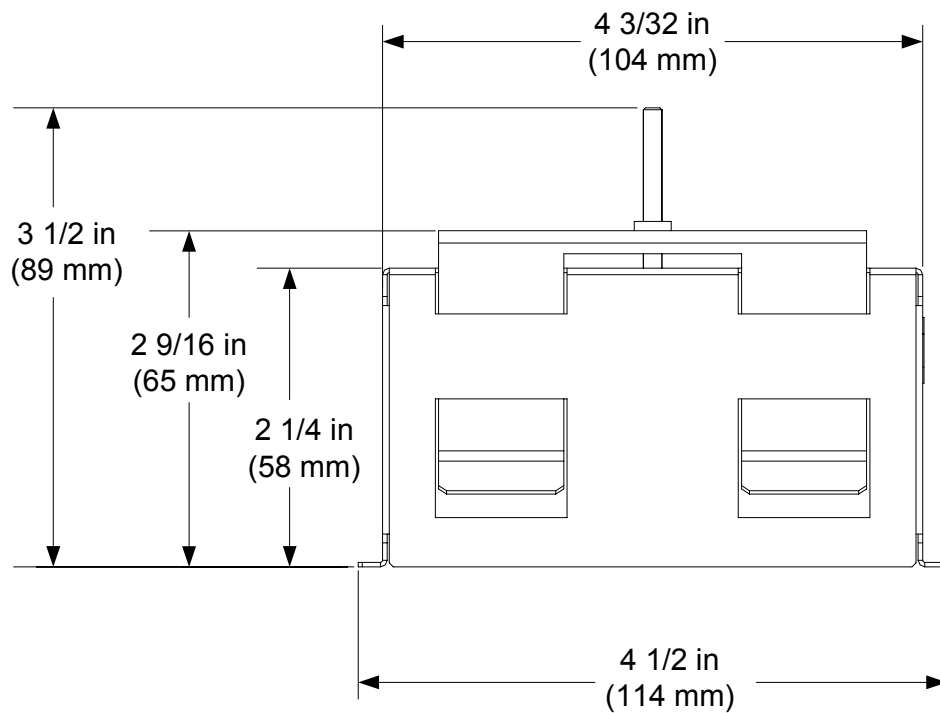
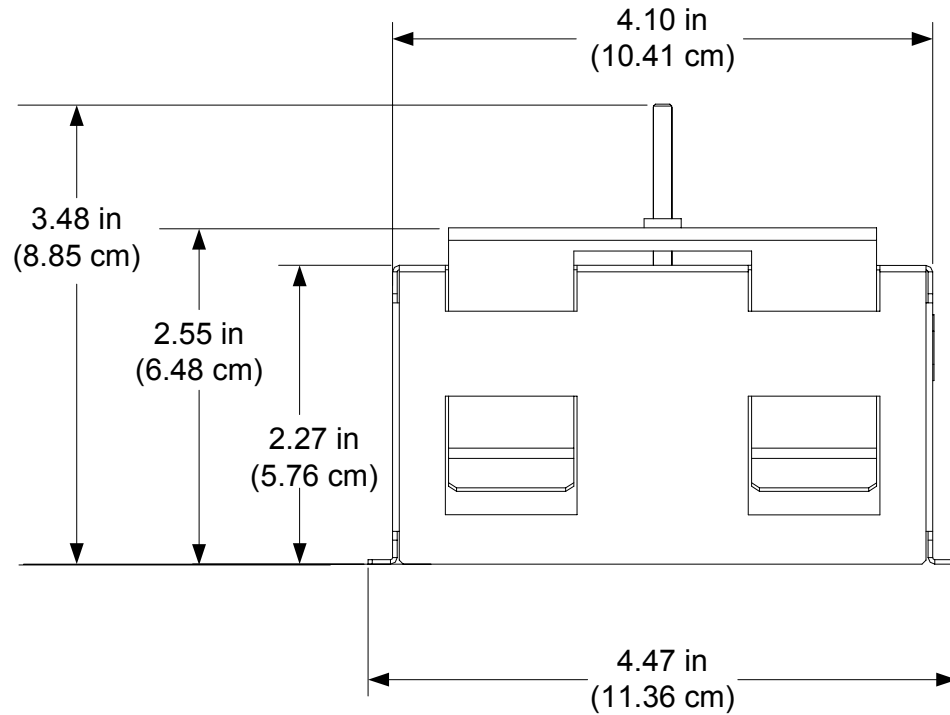
The physical view of the WMK-BB-IDOCV-DSW is shown below.

WMK-BB-IDOCV-DSW Physical View

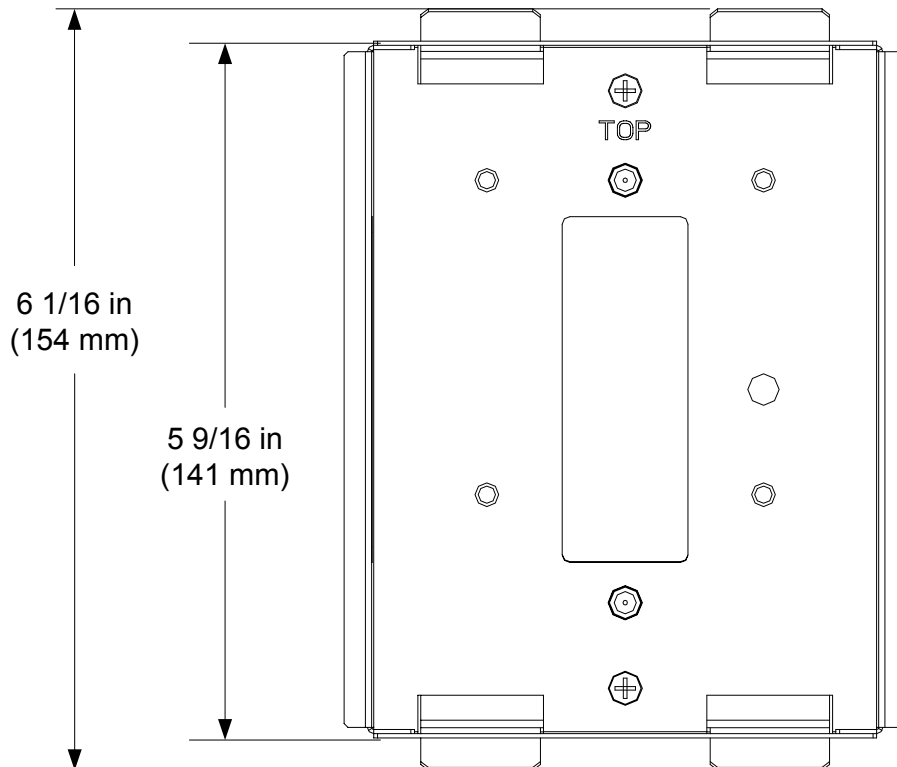
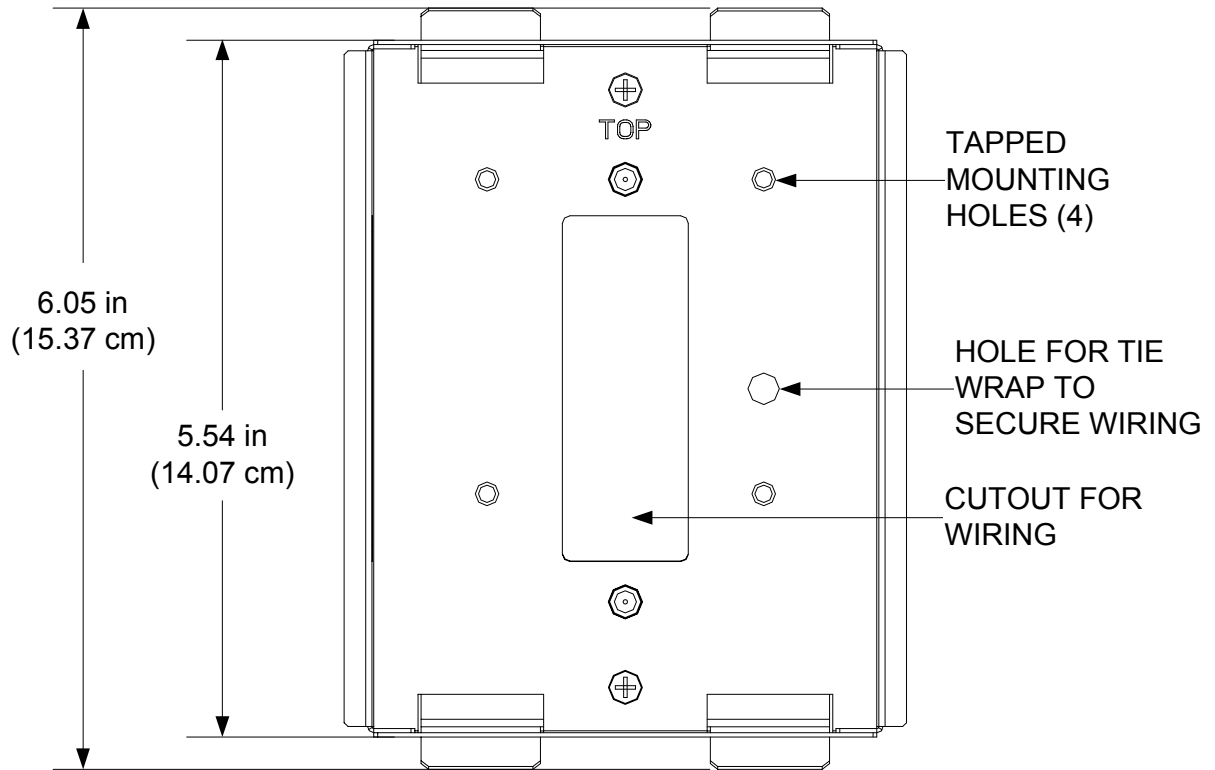


The dimensions of the WMK-BB-IDOCV-DSW are shown below.

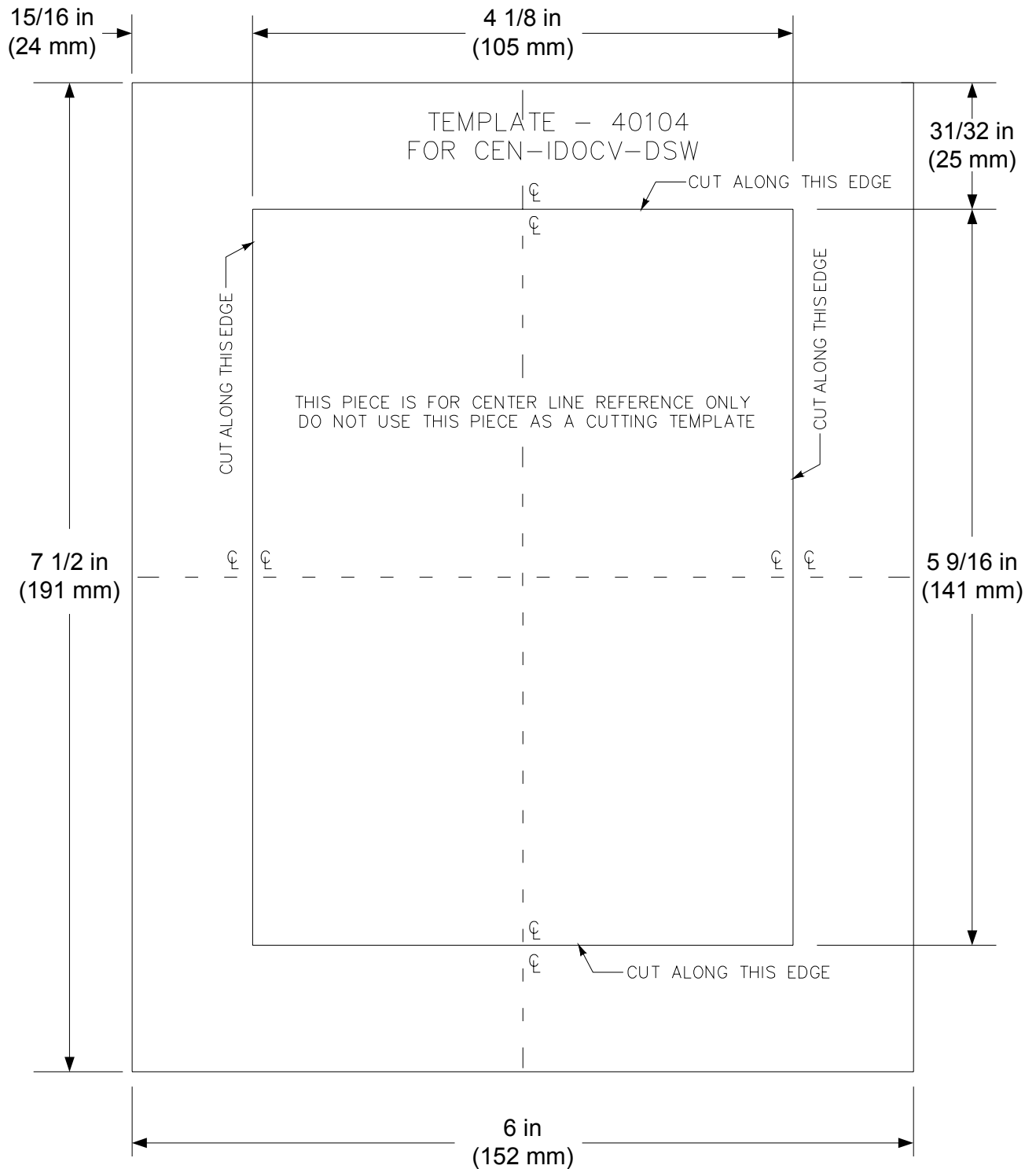
WMK-BB-IDOCV-DSW Overall Dimensions (Top View)



WMK-BB-IDOCV-DSW Overall Dimensions (Front View)



Cutout Template Overall Dimensions (Not Actual Template)



Installation

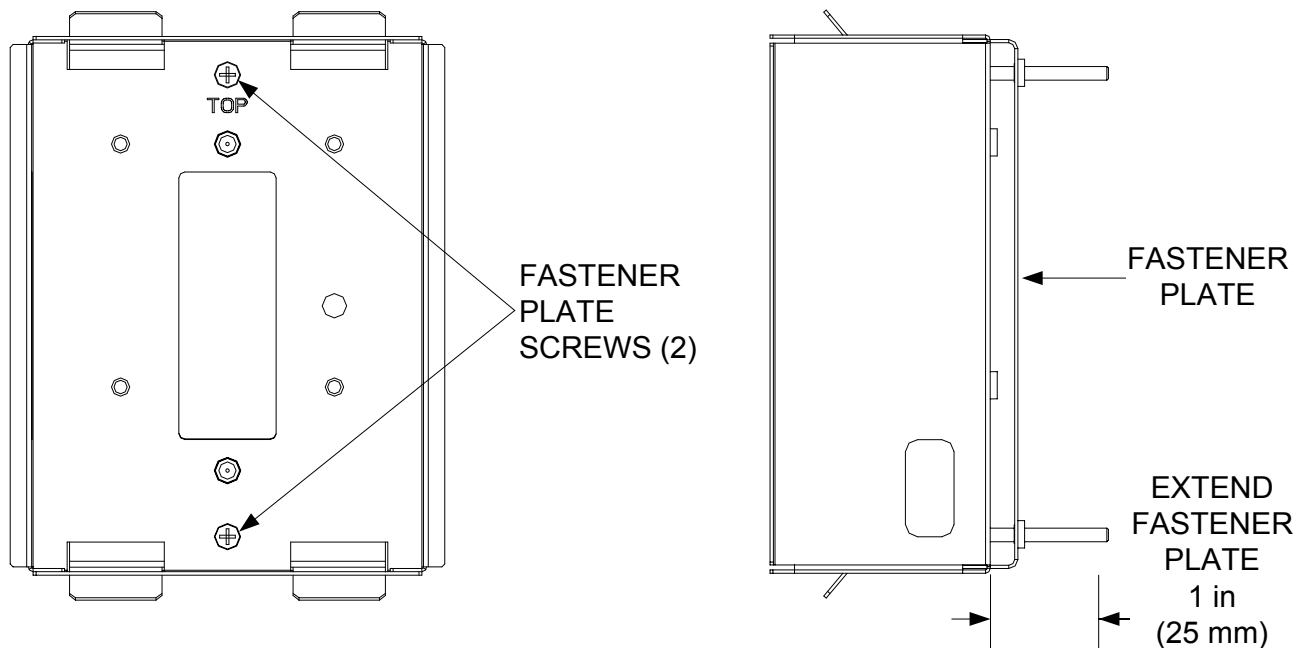
This section provides the necessary steps for the installation of the WMK-BB-IDOCV-DSW into a wall. Review the procedure and complete the steps in the order provided. The only tools or materials required and not supplied are a drywall knife, drywall saw or equivalent, a level and a #2 Phillips screwdriver.

1. Locate an area on the wall that is free of miscellaneous wiring and studs.
2. Make a small hole near the middle of the designated site; verify that the location is suitable.

NOTE: Take extra precautions to ensure the cutout is minimal and accurate. To minimize the device size on the wall, the bezel overhang is relatively small. Extra care must be taken when creating the opening.

NOTE: Before a cutout is made in drywall, use the drywall knife and the provided cutout template to carefully score an outline of the cutout template in the drywall. This cuts the drywall paper and allows the drywall saw to make a clean and accurate cutout without fraying the drywall paper.

3. Use the drywall saw or equivalent and the provided cutout template to produce an accurate and level cutout in the wall.
4. Loosen fastener plate screws until the attached fastener plate extends approximately 1" (25 mm) from the rear of the back box. Refer to the image on the following page for visual guidance.

Loosen Fastener Plate Screws

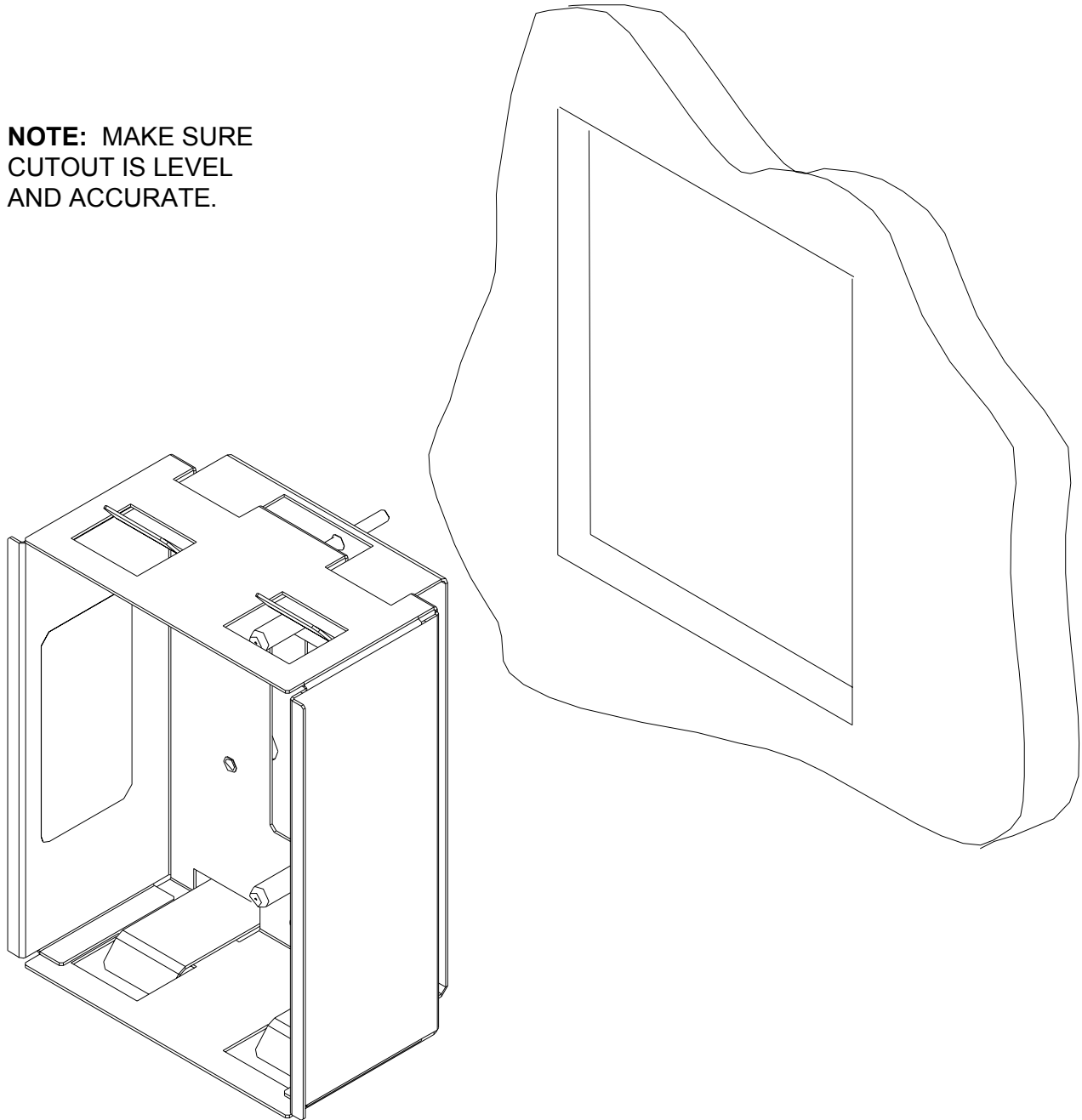
5. Run the necessary cables for the CEN-IDOCV-DSW and secure them to the back box with tie wraps (optional, not supplied). Cables should be run through the cutout before back box is inserted into the opening.
6. Insert the back box assembly into the opening, as shown in the illustration on the following page.

NOTE: Back box assembly must be mounted with the **TOP** sticker properly oriented.

NOTE: The back box assembly is designed to fit tightly within the cutout. Once installed there is minimal room for leveling adjustments.

Insert Back Box Assembly into Opening (Wires Not Shown)

NOTE: MAKE SURE
CUTOUT IS LEVEL
AND ACCURATE.

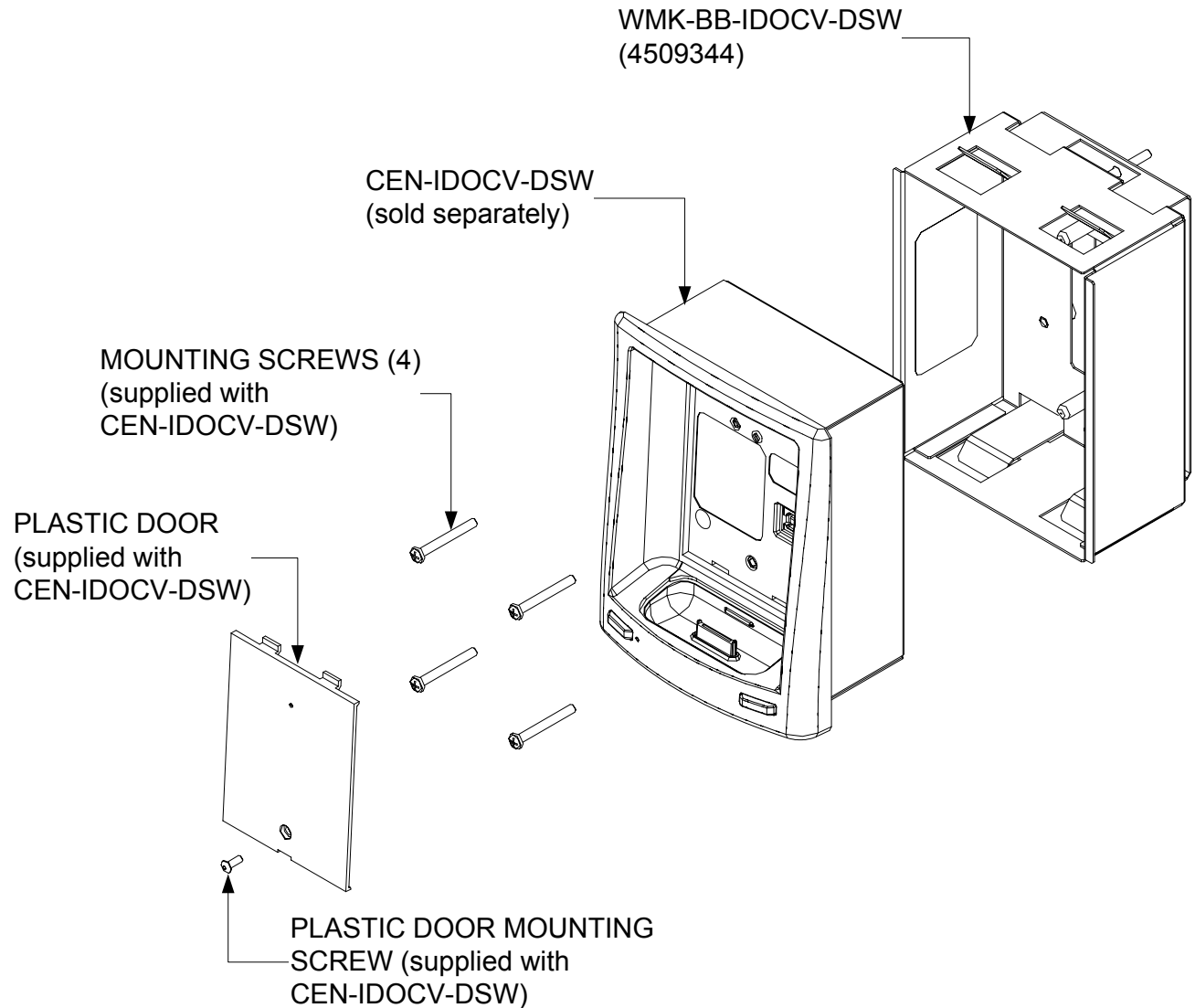


7. When the back box assembly is in position, tighten screws until the unit is secure within the cutout. Do not overtighten.

NOTE: Do not over tighten screws. Doing so may damage the back box assembly or mounting surface.

8. The CEN-IDOCV-DSW can be installed using the four tapped holes in the back box. Refer to the latest revision of the CEN-IDOCV-DSW Installation & Operations Guide (Doc. 6827) for installation instructions. The document is available from the Crestron website (www.crestron.com/manuals). Refer also to the comprehensive illustration below.

CEN-IDOCV-DSW Mounting with WMK-BB-IDOCV-DSW - Exploded View



Resources

Reference Documents

The latest version of all documents mentioned within the guide can be obtained from the Crestron website (www.crestron.com/manuals). This link will provide a list of product manuals arranged in alphabetical order by model number.

List of Related Reference Document

DOCUMENT TITLE
CEN-IDOCV-DSW Wall Mount Interface for Apple® iPod®

Further Inquiries

If you cannot locate specific information or have questions after reviewing this guide, please take advantage of Crestron's award winning customer service team by calling Crestron at 1-888-CRESTRON [1-888-273-7876].

You can also log onto the online help section of the Crestron website (www.crestron.com/onlinehelp) to ask questions about Crestron products. First-time users will need to establish a user account to fully benefit from all available features.

Future Updates

As Crestron improves functions, adds new features and extends the capabilities of the WMK-BB-IDOCV-DSW, additional information may be made available as manual updates. These updates are solely electronic and serve as intermediary supplements prior to the release of a complete technical documentation revision.

Check the Crestron website periodically for manual update availability and its relevance. Updates are identified as an “Addendum” in the Download column.

Return and Warranty Policies

Merchandise Returns / Repair Service

1. No merchandise may be returned for credit, exchange or service without prior authorization from CRESTRON. To obtain warranty service for CRESTRON products, contact an authorized CRESTRON dealer. Only authorized CRESTRON dealers may contact the factory and request an RMA (Return Merchandise Authorization) number. Enclose a note specifying the nature of the problem, name and phone number of contact person, RMA number and return address.
2. Products may be returned for credit, exchange or service with a CRESTRON Return Merchandise Authorization (RMA) number. Authorized returns must be shipped freight prepaid to CRESTRON, 6 Volvo Drive, Rockleigh, N.J. or its authorized subsidiaries, with RMA number clearly marked on the outside of all cartons. Shipments arriving freight collect or without an RMA number shall be subject to refusal. CRESTRON reserves the right in its sole and absolute discretion to charge a 15% restocking fee plus shipping costs on any products returned with an RMA.
3. Return freight charges following repair of items under warranty shall be paid by CRESTRON, shipping by standard ground carrier. In the event repairs are found to be non-warranty, return freight costs shall be paid by the purchaser.

CRESTRON Limited Warranty

CRESTRON ELECTRONICS, Inc. warrants its products to be free from manufacturing defects in materials and workmanship under normal use for a period of three (3) years from the date of purchase from CRESTRON, with the following exceptions: disk drives and any other moving or rotating mechanical parts, pan/tilt heads and power supplies are covered for a period of one (1) year; touchscreen display and overlay components are covered for 90 days; batteries and incandescent lamps are not covered.

This warranty extends to products purchased directly from CRESTRON or an authorized CRESTRON dealer. Purchasers should inquire of the dealer regarding the nature and extent of the dealer's warranty, if any.

CRESTRON shall not be liable to honor the terms of this warranty if the product has been used in any application other than that for which it was intended or if it has been subjected to misuse, accidental damage, modification or improper installation procedures. Furthermore, this warranty does not cover any product that has had the serial number altered, defaced or removed.

This warranty shall be the sole and exclusive remedy to the original purchaser. In no event shall CRESTRON be liable for incidental or consequential damages of any kind (property or economic damages inclusive) arising from the sale or use of this equipment. CRESTRON is not liable for any claim made by a third party or made by the purchaser for a third party.

CRESTRON shall, at its option, repair or replace any product found defective, without charge for parts or labor. Repaired or replaced equipment and parts supplied under this warranty shall be covered only by the unexpired portion of the warranty.

Except as expressly set forth in this warranty, CRESTRON makes no other warranties, expressed or implied, nor authorizes any other party to offer any warranty, including any implied warranties of merchantability or fitness for a particular purpose. Any implied warranties that may be imposed by law are limited to the terms of this limited warranty. This warranty statement supersedes all previous warranties.

Trademark Information

All brand names, product names and trademarks are the sole property of their respective owners. Windows is a registered trademark of Microsoft Corporation. Windows95/98/Me/XP/Vista and WindowsNT/2000 are trademarks of Microsoft Corporation.



Crestron Electronics, Inc.
15 Volvo Drive Rockleigh, NJ 07647
Tel: 888.CRESTRON
Fax: 201.767.7576
www.crestron.com

Installation Guide – DOC. 6830A
(2025043)
07.09

Specifications subject to
change without notice.