

HZ2-FP

Horizon® 2 Faceplate



Shown in 1-gang Size

- *Precision fit and finish for Horizon 2 devices*
- *Available in 1, 2, 3, and 4 gang sizes*
- *Decorator-style options available*
- *Available in white, black, almond, white glass, and black glass*

Horizon® 2 faceplates ([HZ2-FP-G](#) series) are essential installation components of every Horizon 2 installation to provide a finished appearance with customizable design elements. Each faceplate features side panels that match the keypad's textured button faces to provide a clean, contiguous surface from edge to edge.

Multigang Expansion with Horizon 2 Faceplates

Install up to four Horizon® 2 devices side-by-side in a US multigang electrical box with a compatible [HZ2-FP-G](#) series faceplate. When multiple devices are installed in a 2-, 3-, or 4-gang faceplate, the buttons on the devices are aligned to form one continuous control surface.

Horizon 2 Faceplates Supporting Decorator-Style Devices

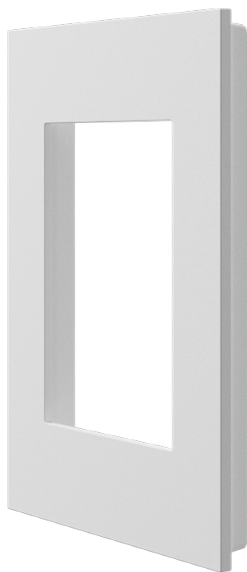
Decorator-style faceplates (FP-G-D series) accommodate a wide variety of Decorator-style third party devices alongside Horizon 2 devices. They are offered in white, black, and almond in a variety of configurations. Nonsymmetrical faceplates can be reversed to support the decorator-style device on either side of the Horizon 2 device(s).

NOTE: Crestron recommends using Schneider Square D X Series wiring devices for the best match to Horizon 2 colors and textures.

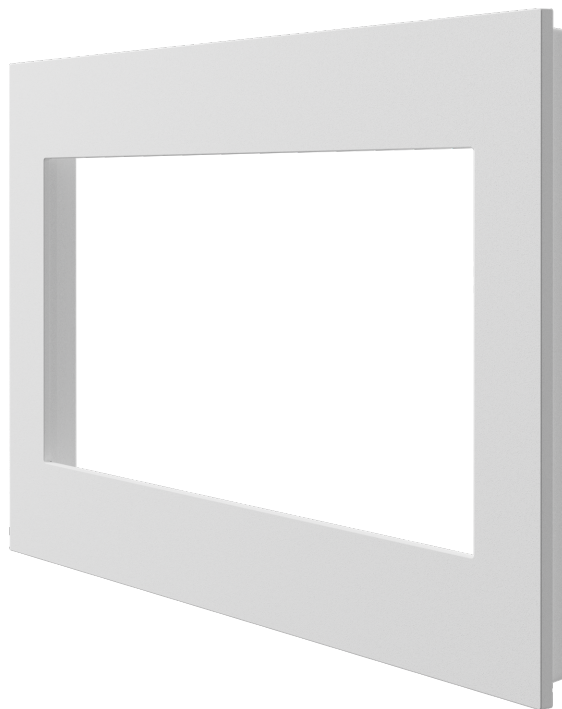
HZ2-FP

Horizon® 2 Faceplate

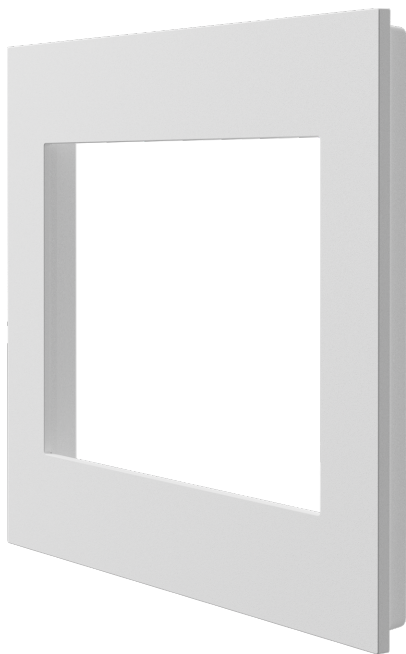
HZ2-FP-G1 shown in White



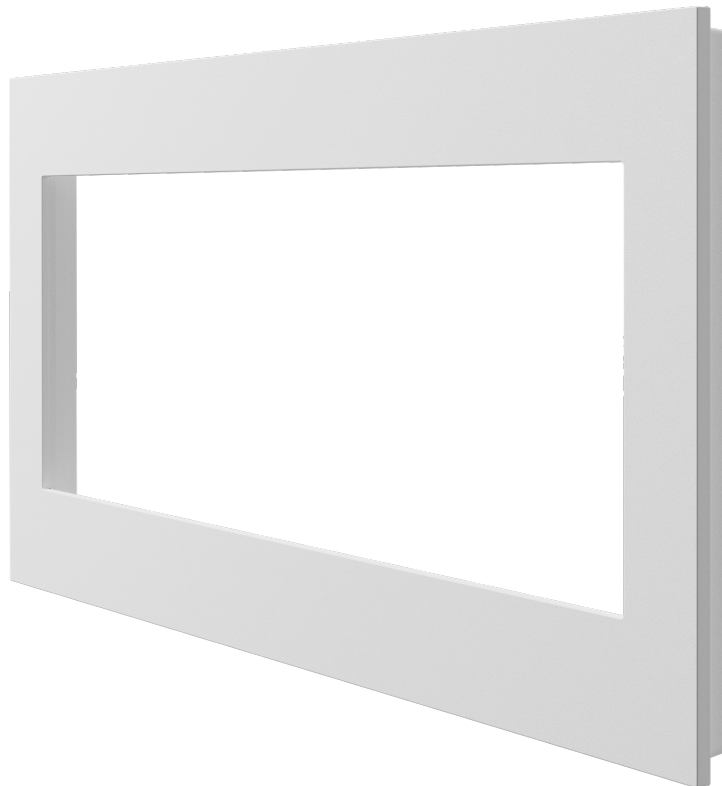
HZ2-FP-G3 shown in White



HZ2-FP-G2 shown in White



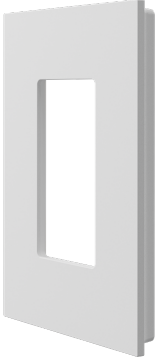
HZ2-FP-G4 shown in White



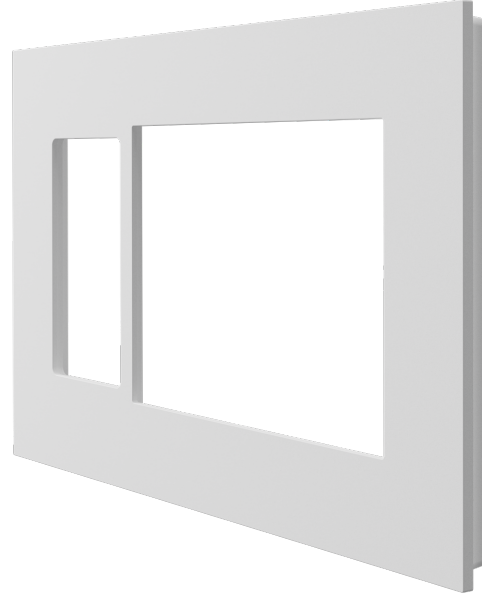
HZ2-FP

Horizon® 2 Faceplate

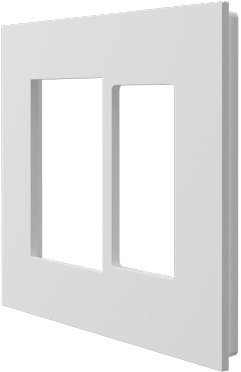
HZ2-FP-G1-D1 shown in White



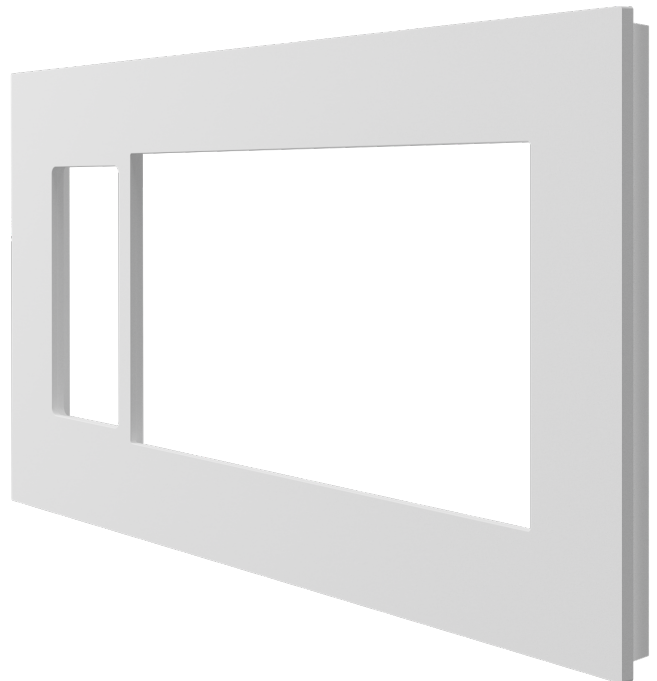
HZ2-FP-G3-D1 shown in White



HZ2-FP-G2-D1 shown in White



HZ2-FP-G4-D1 shown in White



HZ2-FP-G2-D2 shown in White



HZ2-FP

Horizon® 2 Faceplate

Specifications

Construction

Composition (Standard models)	Plastic; White, almond, or black; Textured
Composition (GLASS models)	Glass; White or black
Mounting	Attaches to Horizon devices mounted in a U.S. electrical box or plaster ring (not included); Includes a metal backplate to avoid mounting issues due to drywall or electrical box imperfections

Dimensions

Height	4.73 in. (120 mm)
Height (Decorator Opening)	2.64 in. (67 mm)
Width, 1-Gang	3.07 in. (78 mm)
Width, 2-Gang (Standard, Glass, D2)	4.88 in. (124 mm)
Width, 2-Gang (D1)	5.12 in. (130 mm)
Width, 3-Gang (Standard, Glass)	6.69 in. (170 mm)
Width, 3-Gang (D1)	6.93 in. (176 mm)
Width, 4-Gang (Standard, Glass)	8.50 in. (216 mm)
Width, 4-Gang (D1)	8.74 in. (222 mm)
Width (Decorator Opening)	1.32 in. (34 mm)
Depth (Standard and Decorator)	0.40 in. (10 mm)
Depth (Glass)	0.46 in. (12 mm)

Weight

1.1 – 7.5 oz (32 – 212 g)

Models

HZ2-FP-G1-A	Horizon® 2 Faceplate, 1-Gang, Almond
HZ2-FP-G1-B	Horizon® 2 Faceplate, 1-Gang, Black
HZ2-FP-G1-W	Horizon® 2 Faceplate, 1-Gang, White
HZ2-FP-G1-GLASS-B	Horizon® 2 Faceplate, 1-Gang, Black Glass
HZ2-FP-G1-GLASS-W	Horizon® 2 Faceplate, 1-Gang, White Glass
HZ2-FP-G2-A	Horizon® 2 Faceplate, 2-Gang, Almond
HZ2-FP-G2-B	Horizon® 2 Faceplate, 2-Gang, Black
HZ2-FP-G2-W	Horizon® 2 Faceplate, 2-Gang, White
HZ2-FP-G2-GLASS-B	Horizon® 2 Faceplate, 2-Gang, Black Glass
HZ2-FP-G2-GLASS-W	Horizon® 2 Faceplate, 2-Gang, White Glass
HZ2-FP-G3-A	Horizon® 2 Faceplate, 3-Gang, Almond
HZ2-FP-G3-B	Horizon® 2 Faceplate, 3-Gang, Black
HZ2-FP-G3-W	Horizon® 2 Faceplate, 3-Gang, White
HZ2-FP-G3-GLASS-B	Horizon® 2 Faceplate, 3-Gang, Black Glass
HZ2-FP-G3-GLASS-W	Horizon® 2 Faceplate, 3-Gang, White Glass
HZ2-FP-G4-A	Horizon® 2 Faceplate, 4-Gang, Almond
HZ2-FP-G4-B	Horizon® 2 Faceplate, 4-Gang, Black
HZ2-FP-G4-W	Horizon® 2 Faceplate, 4-Gang, White
HZ2-FP-G4-GLASS-B	Horizon® 2 Faceplate, 4-Gang, Black Glass
HZ2-FP-G4-GLASS-W	Horizon® 2 Faceplate, 4-Gang, White Glass
HZ2-FP-G1-D1-W	Horizon® 2 Faceplate, 1-Gang, 1-Decorator, White
HZ2-FP-G1-D1-B	Horizon® 2 Faceplate, 1-Gang, 1-Decorator, Black
HZ2-FP-G1-D1-A	Horizon® 2 Faceplate, 1-Gang, 1-Decorator, Almond

HZ2-FP

Horizon® 2 Faceplate

HZ2-FP-G2-D1-W

Horizon® 2 Faceplate, 2-Gang, 1-Decorator, White

HZ2-FP-G2-D1-B

Horizon® 2 Faceplate, 2-Gang, 1-Decorator, Black

HZ2-FP-G2-D1-A

Horizon® 2 Faceplate, 2-Gang, 1-Decorator, Almond

HZ2-FP-G2-D2-W

Horizon® 2 Faceplate, 2-Gang, 2-Decorator, White

HZ2-FP-G2-D2-B

Horizon® 2 Faceplate, 2-Gang, 2-Decorator, Black

HZ2-FP-G2-D2-A

Horizon® 2 Faceplate, 2-Gang, 2-Decorator, Almond

HZ2-FP-G3-D1-W

Horizon® 2 Faceplate, 3-Gang, 1-Decorator, White

HZ2-FP-G3-D1-B

Horizon® 2 Faceplate 3-Gang, 1-Decorator, Black

HZ2-FP-G3-D1-A

Horizon® 2 Faceplate, 3-Gang, 1-Decorator, Almond

HZ2-FP-G4-D1-W

Horizon® 2 Faceplate, 4-Gang, 1-Decorator, White

HZ2-FP-G4-D1-B

Horizon® 2 Faceplate, 4-Gang, 1-Decorator, Black

HZ2-FP-G4-D1-A

Horizon® 2 Faceplate, 4-Gang, 1-Decorator, Almond

This product may be purchased from select authorized Crestron dealers and distributors. To find a dealer or distributor, please contact the Crestron sales representative for your area. A list of sales representatives is available online at www.crestron.com/How-To-Buy/Find-a-Representative or contact us for additional information by visiting www.crestron.com/contact/our-locations for your local contact.

The original language version of this document is U.S. English. All other languages are a translation of the original document.

The product warranty can be found at www.crestron.com/warranty.

The specific patents that cover Crestron products are listed online at www.crestron.com/legal/patents.

Certain Crestron products contain open source software. For specific information, please visit www.crestron.com/opensource.

Crestron, the Crestron logo, and Horizon are either trademarks or registered trademarks of Crestron Electronics, Inc. in the United States and/or other countries. Other trademarks, registered trademarks, and trade names may be used in this document to refer to either the entities claiming the marks and names or their products. Crestron disclaims any proprietary interest in the marks and names of others. Crestron is not responsible for errors in typography or photography.

Specifications are subject to change without notice.

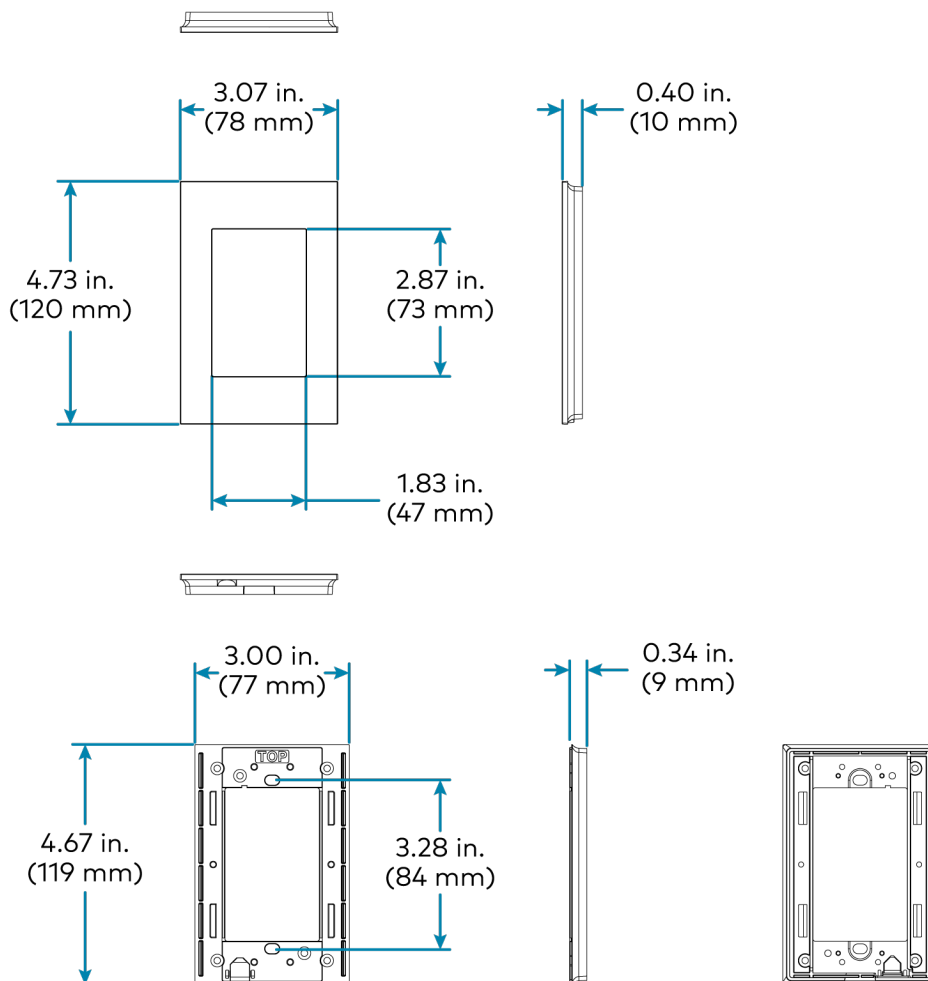
©2024 Crestron Electronics, Inc.

Rev 12/11/24

HZ2-FP

Horizon® 2 Faceplate

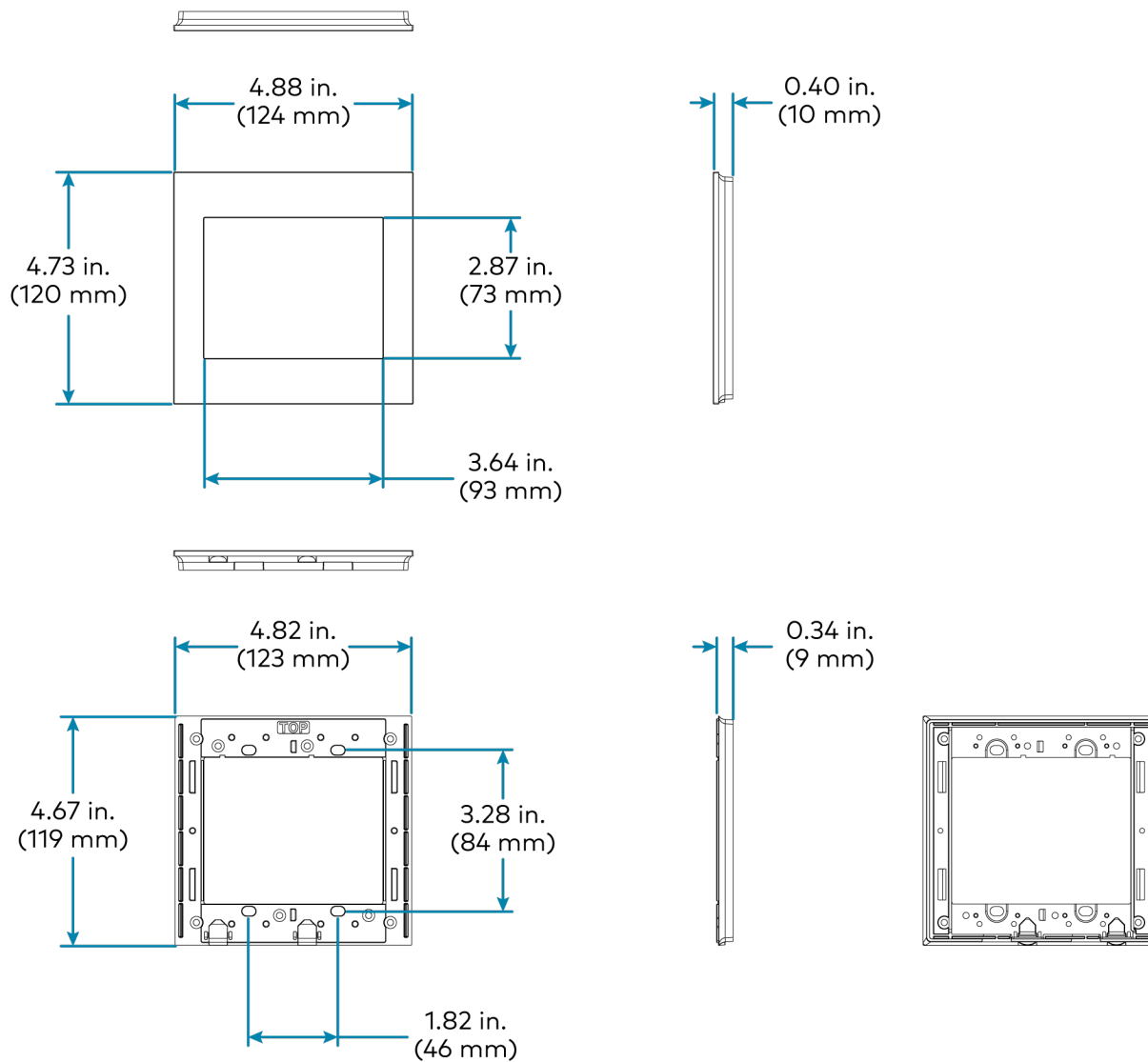
HZ2-FP-G1 (Standard)



HZ2-FP

Horizon® 2 Faceplate

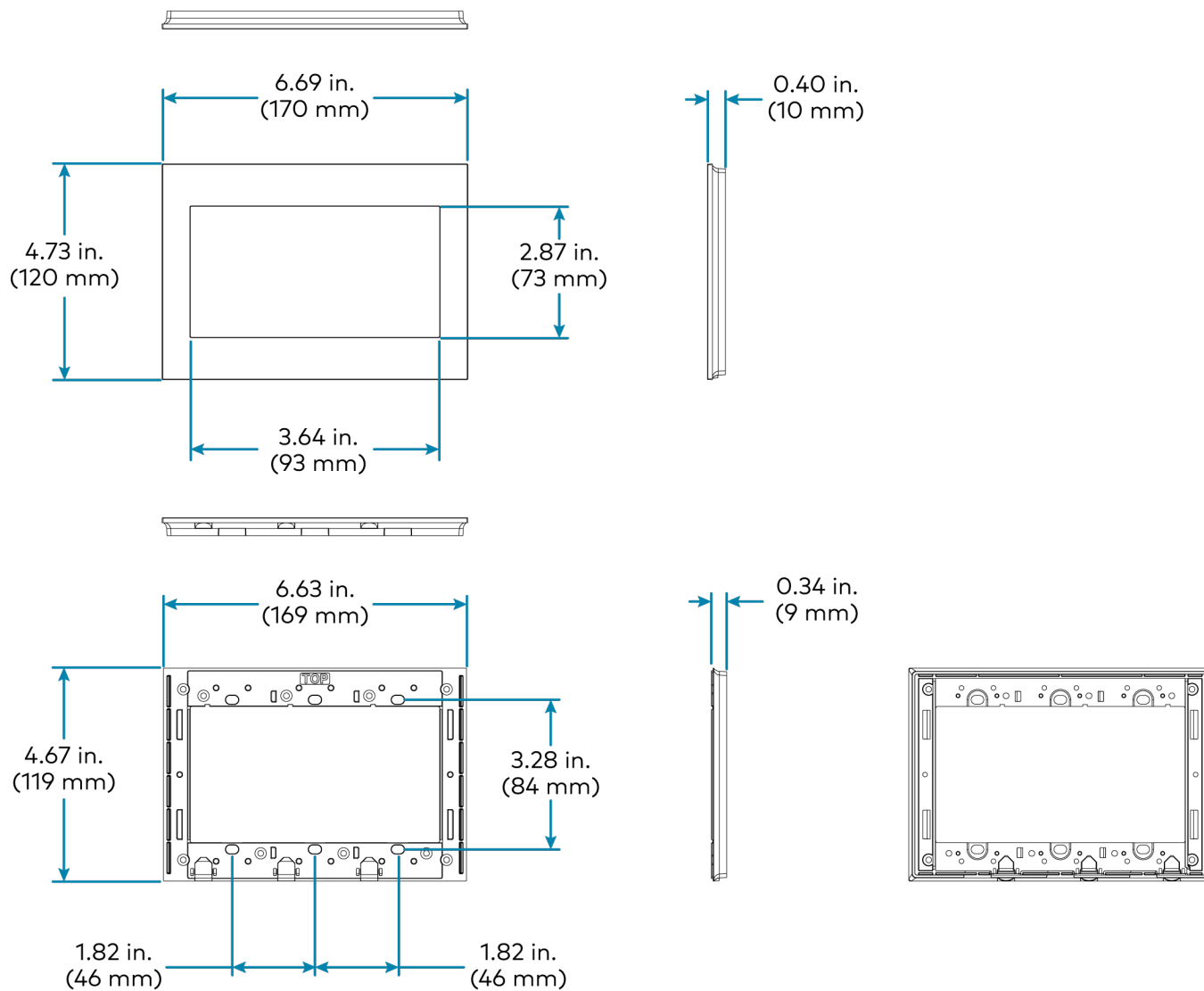
HZ2-FP-G2 (Standard)



HZ2-FP

Horizon® 2 Faceplate

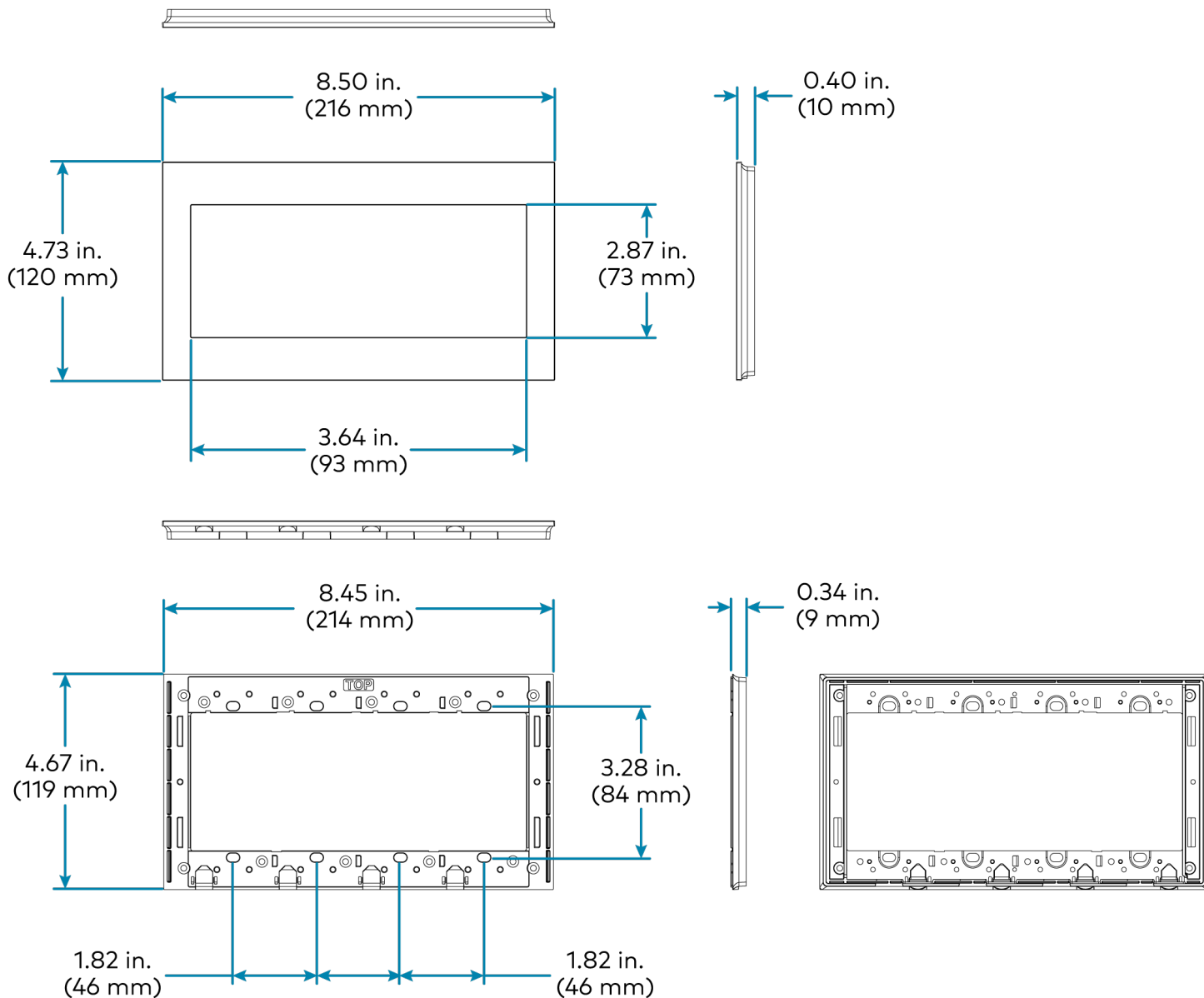
HZ2-FP-G3 (Standard)



HZ2-FP

Horizon® 2 Faceplate

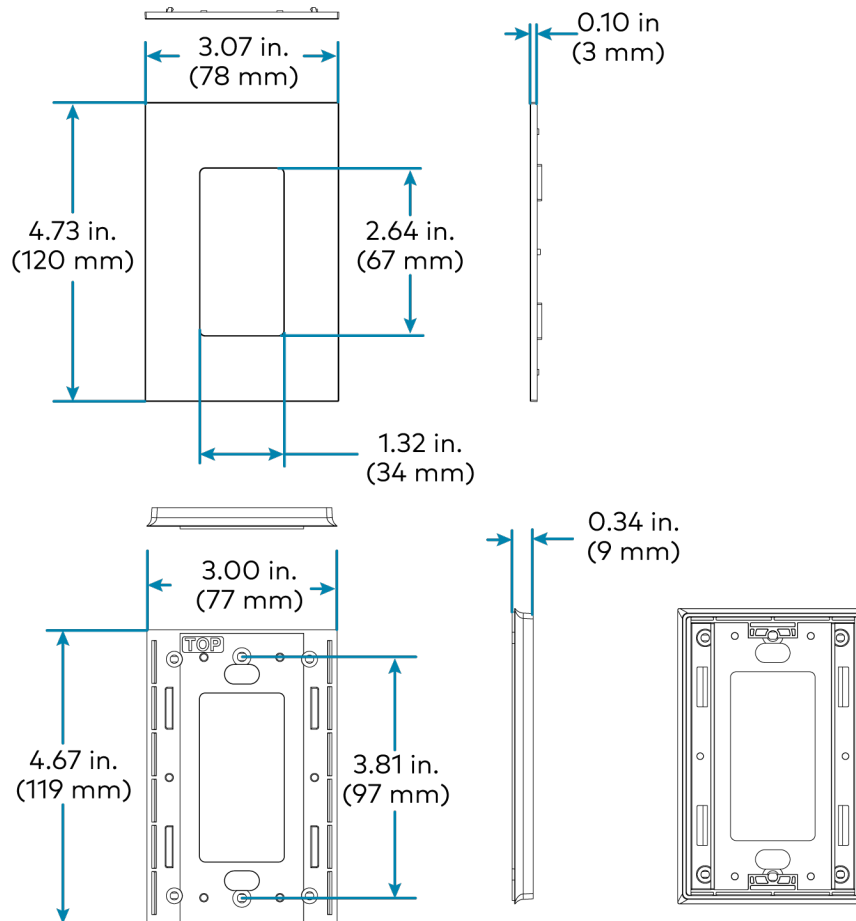
HZ2-FP-G4 (Standard)



HZ2-FP

Horizon® 2 Faceplate

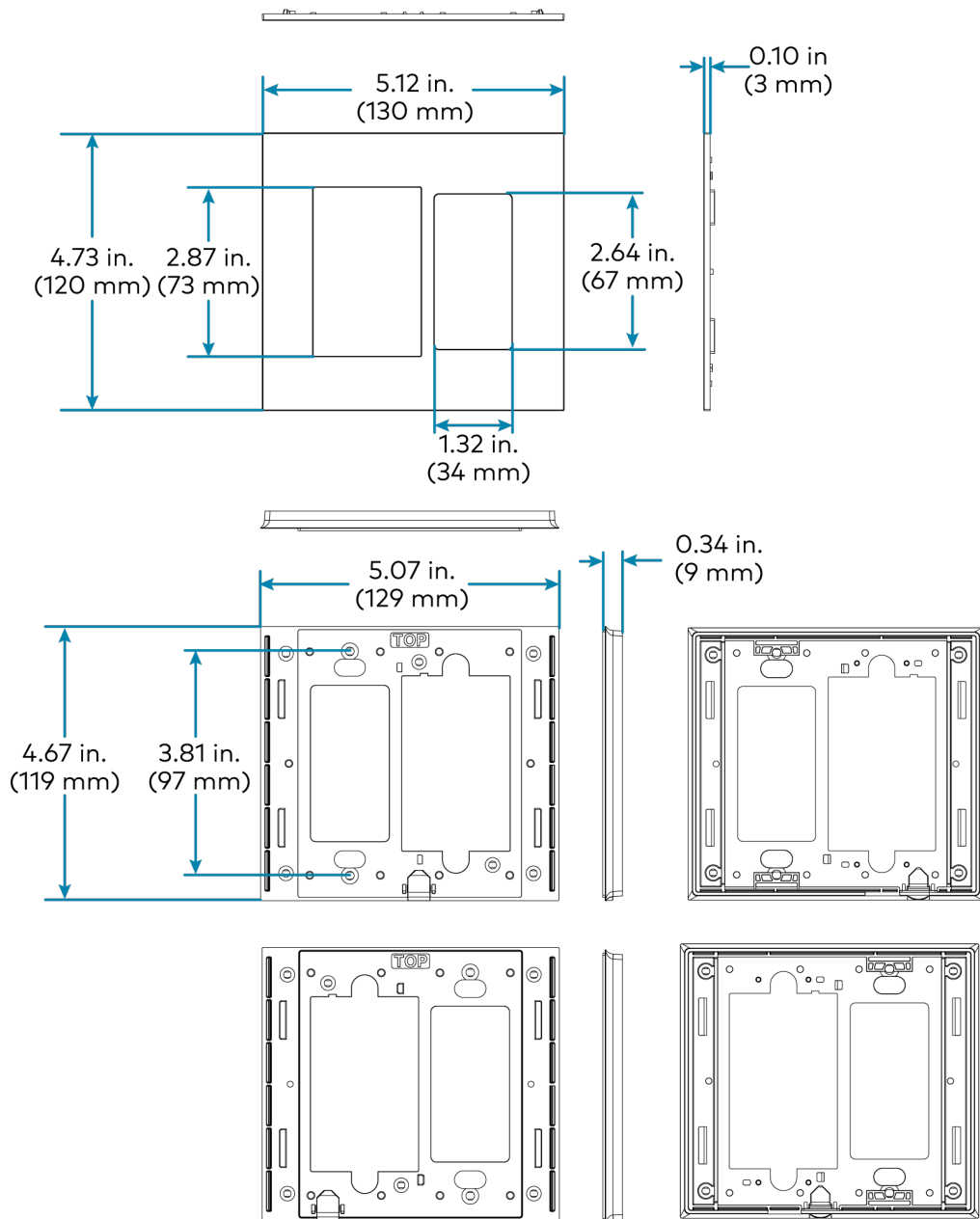
HZ2-FP-G1-D1



HZ2-FP

Horizon® 2 Faceplate

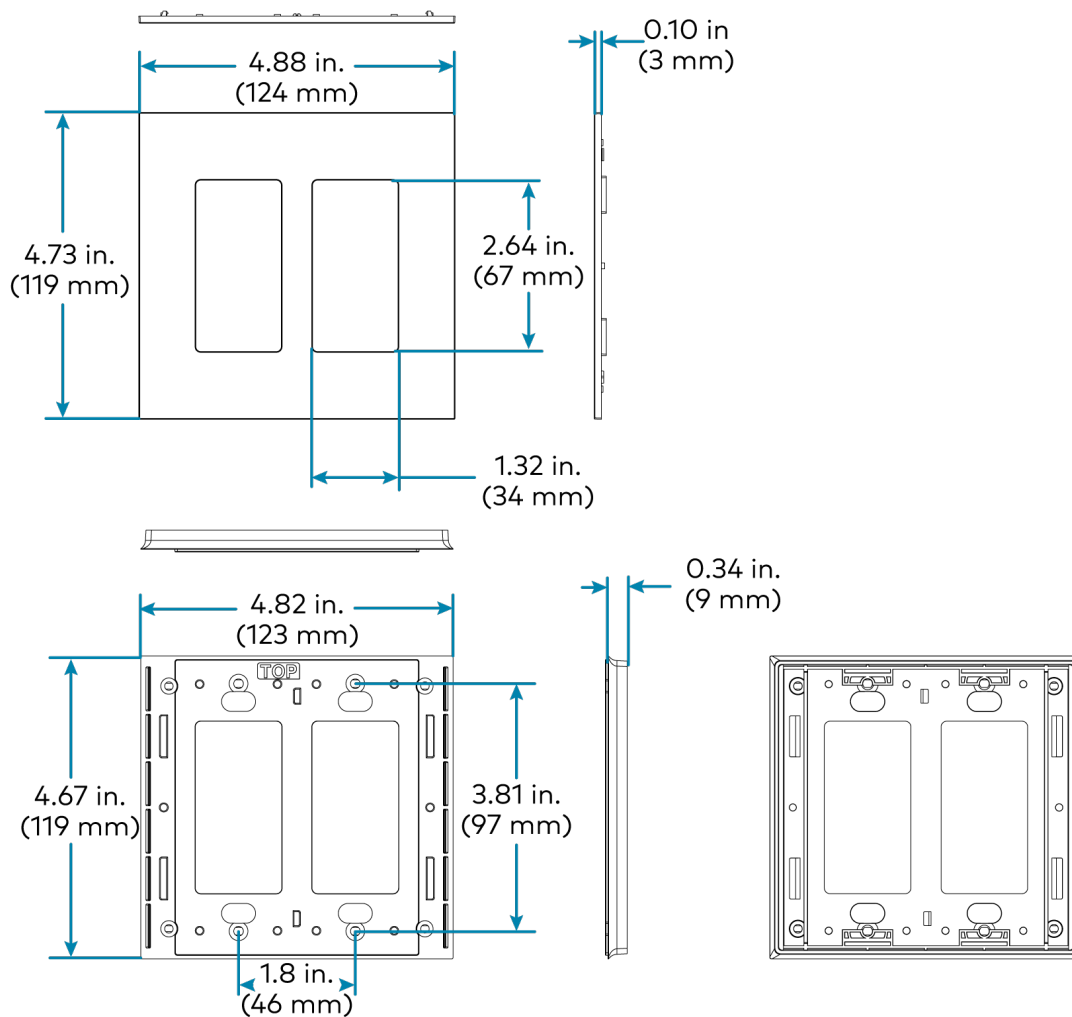
HZ2-FP-G2-D1



HZ2-FP

Horizon® 2 Faceplate

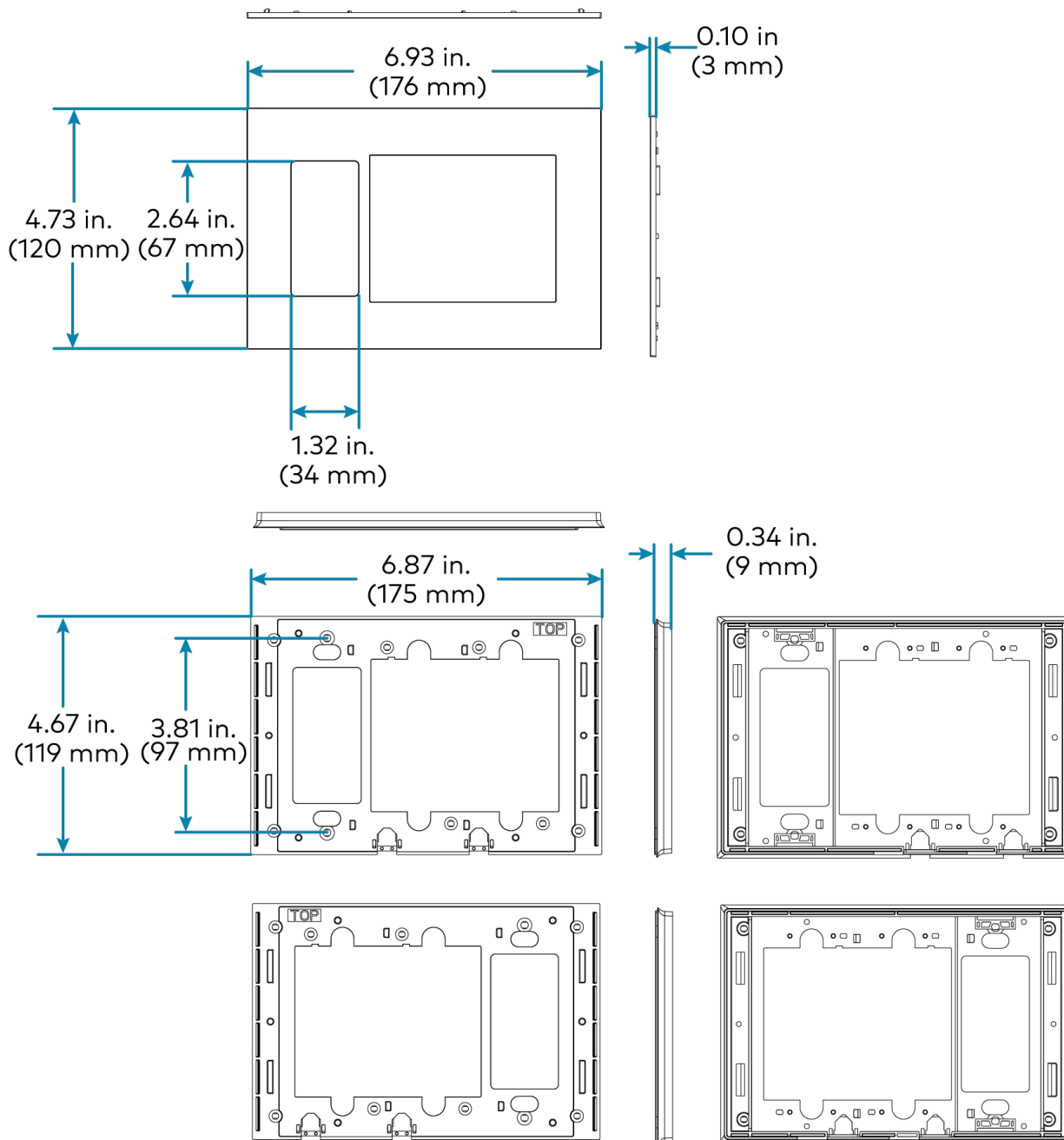
HZ2-FP-G2-D2



HZ2-FP

Horizon® 2 Faceplate

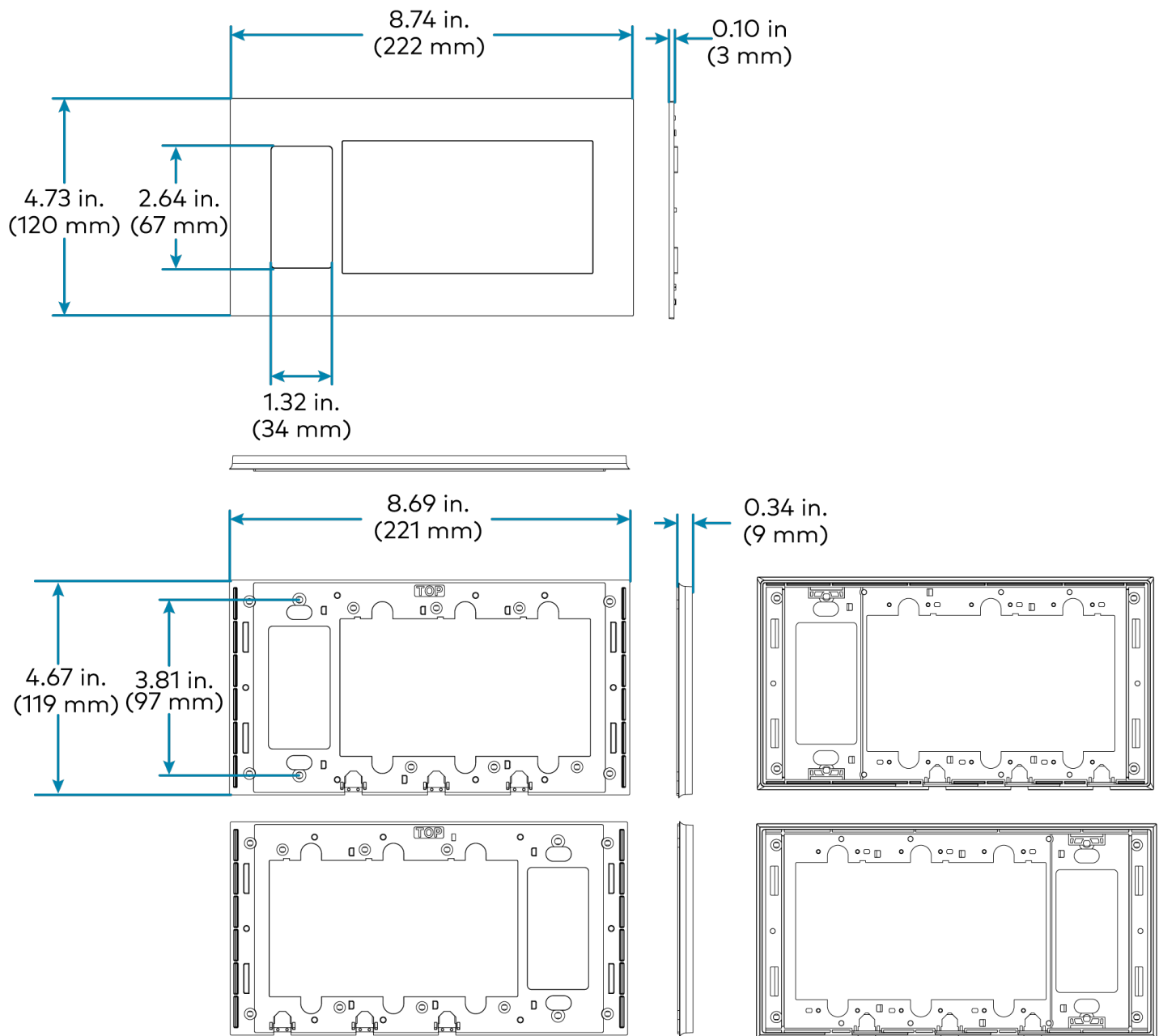
HZ2-FP-G3-D1



HZ2-FP

Horizon® 2 Faceplate

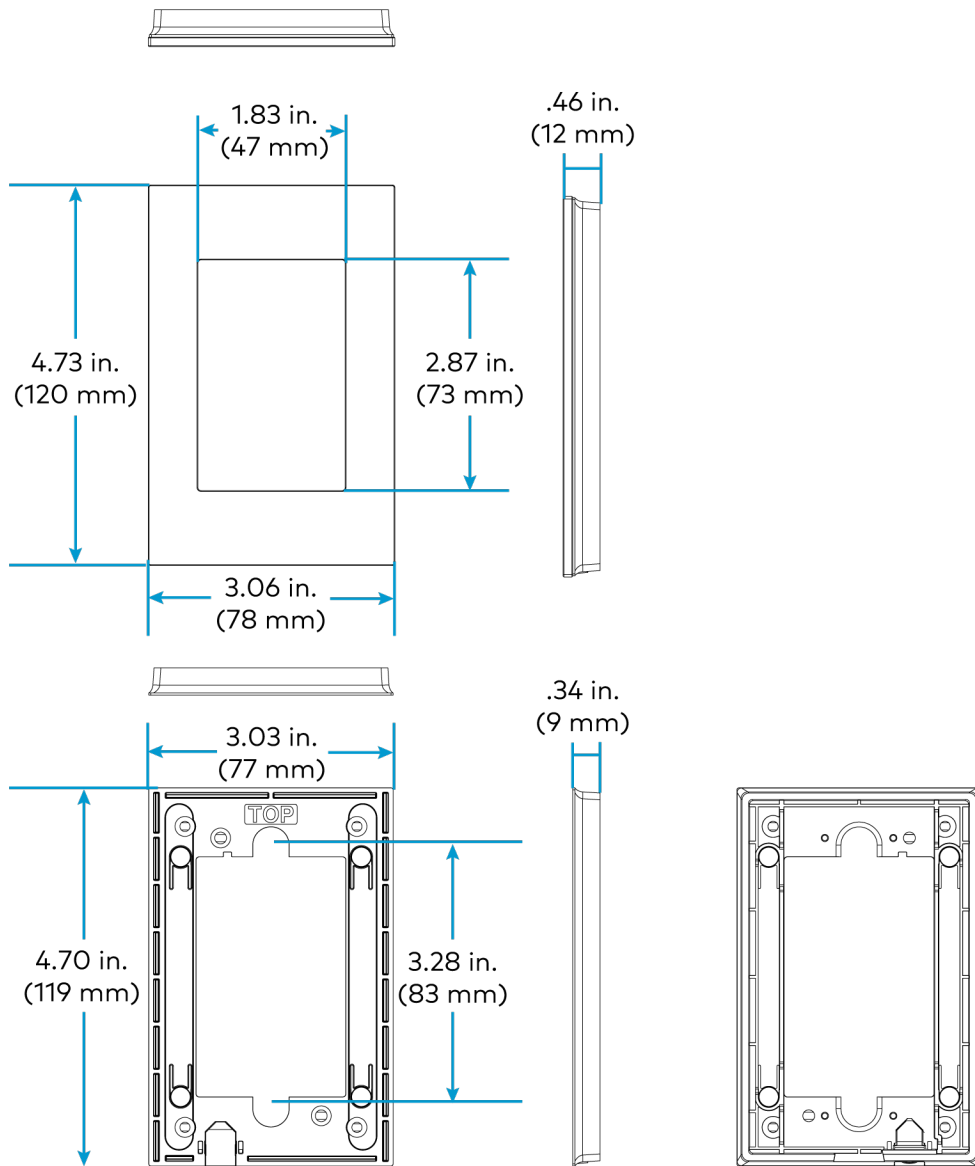
HZ2-FP-G4-D1



HZ2-FP

Horizon® 2 Faceplate

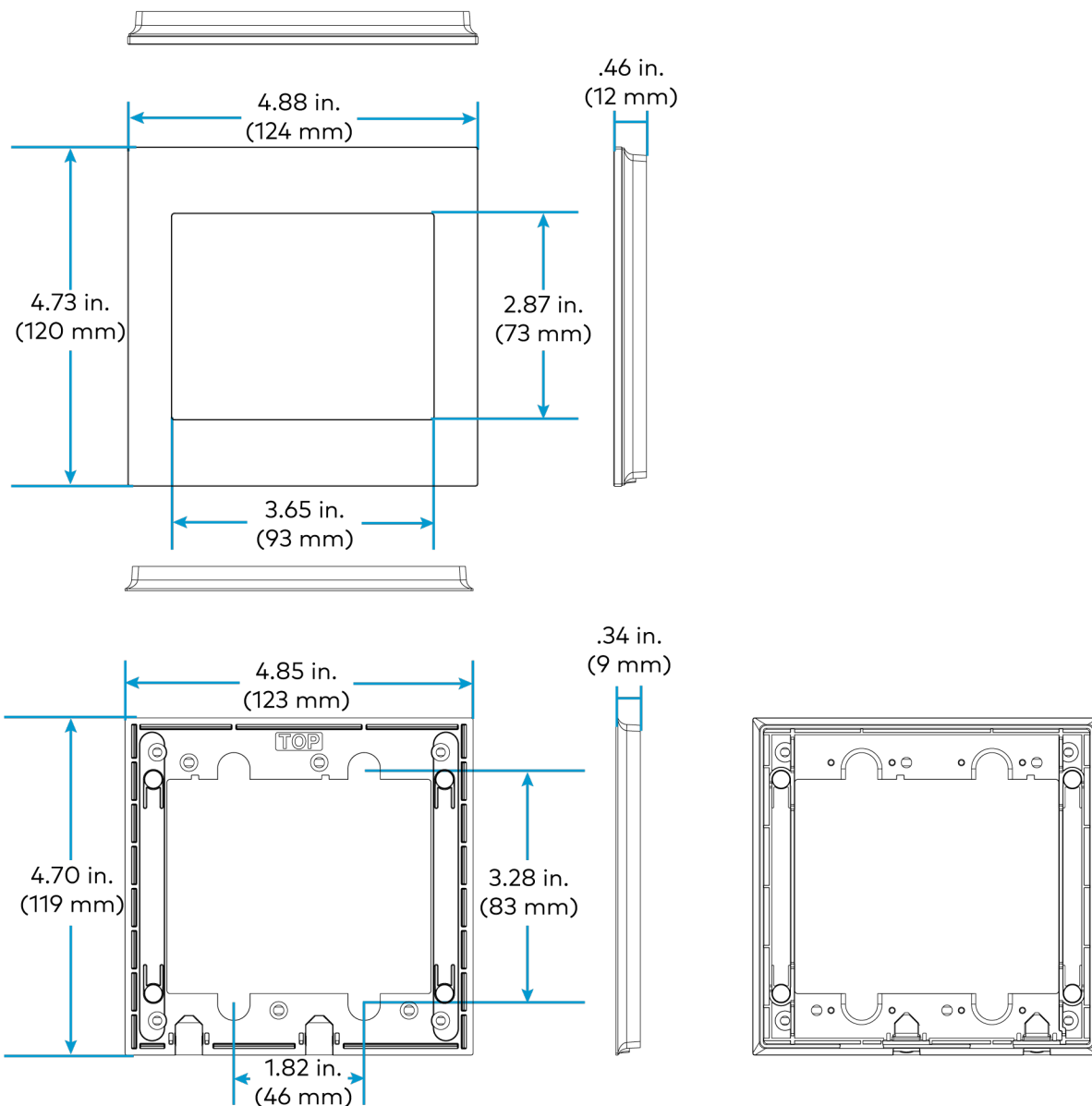
HZ2-FP-G1-GLASS



HZ2-FP

Horizon® 2 Faceplate

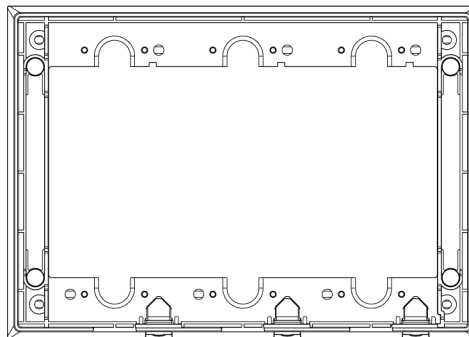
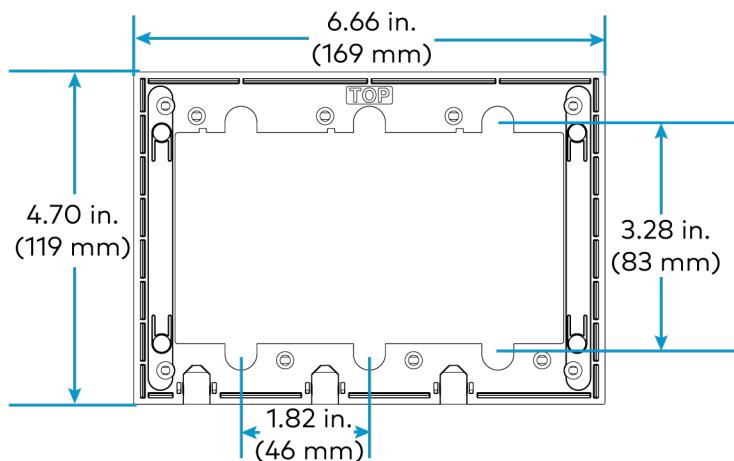
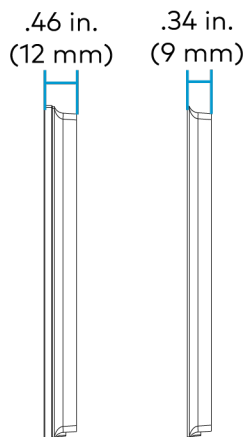
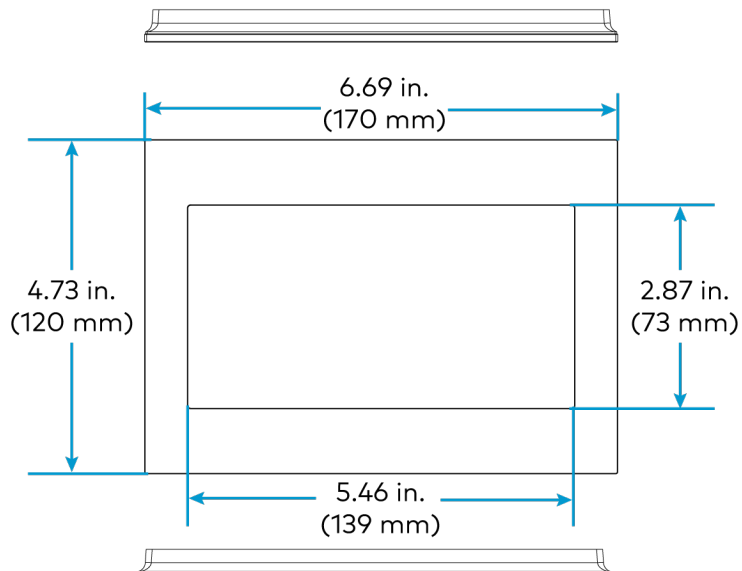
HZ2-FP-G2-GLASS



HZ2-FP

Horizon® 2 Faceplate

HZ2-FP-G3-GLASS



HZ2-FP

Horizon® 2 Faceplate

HZ2-FP-G4-GLASS

