

Crestron **SMK-8T**
Swivel Mount Kit
for TPMC-8T & TPMC-8X-DS

Installation Guide



This document was prepared and written by the Technical Documentation department at:



Regulatory Compliance

As of the date of manufacture, the SMK-8T has been tested and found to comply with specifications for CE marking.



The specific patents that cover Crestron products are listed at patents.crestron.com.

Crestron, the Crestron logo and Isys are either trademarks or registered trademarks of Crestron Electronics, Inc. in the United States and/or other countries. Other trademarks and trade names may be used in this document to refer to either the entities claiming the marks and names or their products. Crestron disclaims any proprietary interest in the marks and names of others.

©2012 Crestron Electronics, Inc.

Contents

Swivel Mount Kit for TPMC-8T & TPMC-8X-DS: SMK-8T	1
Introduction	1
Features and Functions	1
Specifications	2
Physical Description	2
Setup	3
Supplied Hardware	3
Installation	3
Resources	6
Further Inquiries	6
Future Updates	6
Return and Warranty Policies	7
Merchandise Returns / Repair Service	7
Crestron Limited Warranty	7

Swivel Mount Kit for TPMC-8T & TPMC-8X-DS: SMK-8T

Introduction

Features and Functions

- Designed for attachment to the Crestron TPMC-8T Isys[®] TableTop WiFi Touch Screen and TPMC-8X-DS Docking Station
- Swivel mount increases security by reducing the chance of theft, while improving viewing convenience
- Base rotates 330 degrees
- Mounts on the desktop, in a lectern or on a conference table
- Accommodates surface thicknesses from 3/4 inch (~19 mm) minimum to 1 3/8 inches (~35 mm) maximum, using the hardware provided
- Cables route down through center of assembly, keeping cables completely hidden from work surface

Specifications

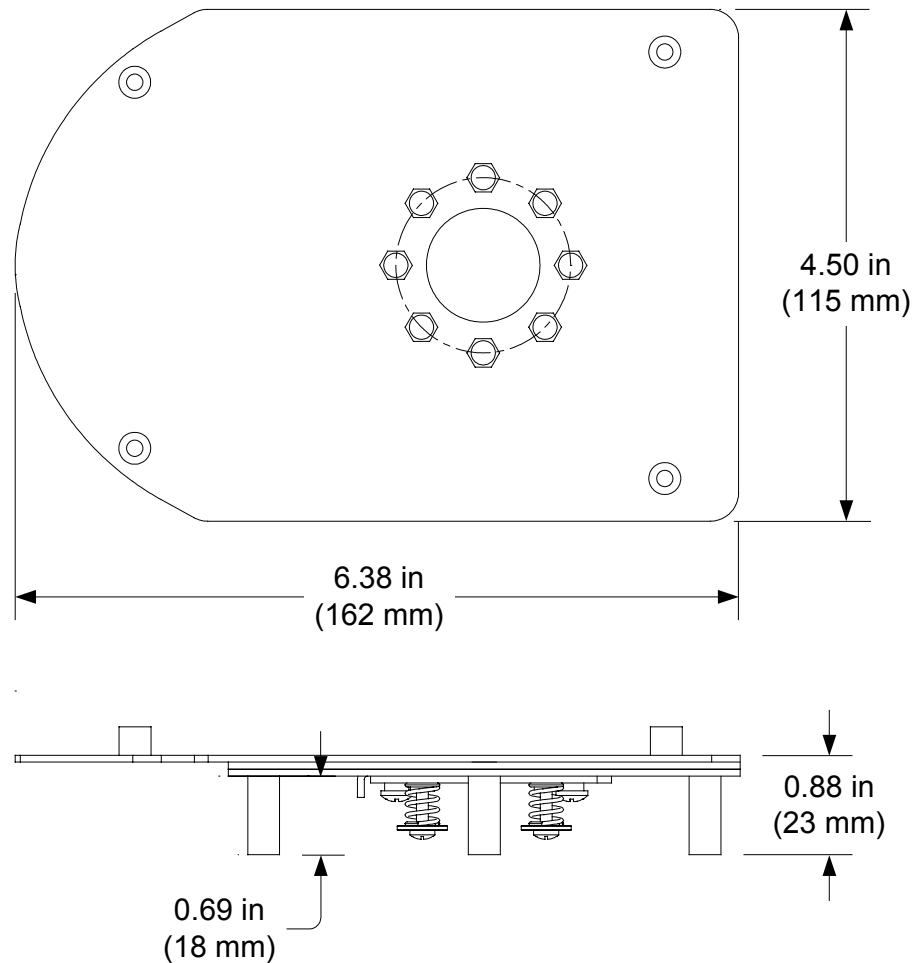
Specifications for the SMK-8T are listed in the following table.

SMK-8T Specifications

SPECIFICATION	DETAILS
Dimensions	
Height	0.88 in (23 mm)
Width	4.50 in (115 mm)
Depth	6.38 in (162 mm)
Weight	15 oz (417 g)

Physical Description

SMK-8T Overall Dimensions



Setup

Supplied Hardware

The hardware supplied in the kit is listed in the following table.

*Supplied Hardware for the SMK-8T**

DESCRIPTION	PART NUMBER	QUANTITY
Metal Plate	2004821	1
Screw #06-32 x 1/2"	2007240	4
Screw #08-32 x 5/8"	2007274	4
Screw #08-32 x 1"	2007276	4

* The SMK-8T Swivel Mount Kit includes a template for preparing the mounting surface.

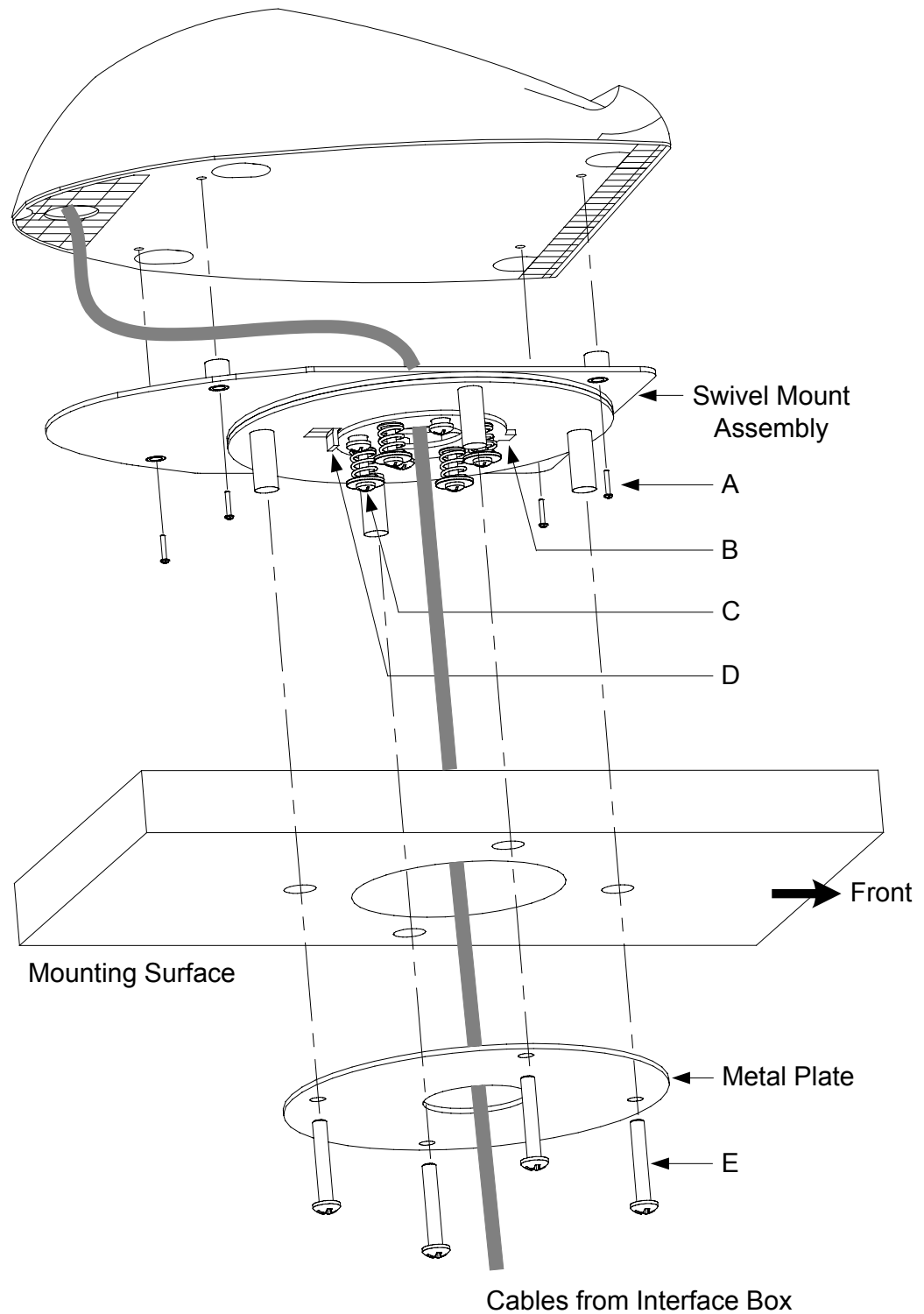
Installation

To attach the SMK-8T Swivel Mount Kit to the TPMC-8T touch screen or TPMC-8X-DS docking station and install the assembly on a suitable mounting surface, refer to the following procedures and the illustration on page 5.

1. Prepare the mounting surface using the template provided with the kit. The center hole for the swivel assembly should be 2.5 inches (64 mm) minimum, 2.6 inches (66 mm) maximum. Position the template so the edge indicated as “front” aligns with the desired front position of the touch screen. Observe the dashed line indicating the front edge of the touch screen or docking station base to ensure the touch screen does not overhang the mounting surface.
2. If necessary, to prevent errors when reconnecting, label and disconnect any cables connected to the touch screen.
3. Refer to the illustration on page 5 and route the cables from the interface box up through the metal plate, through the mounting surface and through the swivel assembly, then through the hole in the base of the touch screen or docking station. Route the cables carefully to avoid chafing.

4. Being careful to avoid damage to the cables, attach the swivel assembly to the base of the touch screen or docking station, using the four included #06-32 x 1/2 inch screws (**A**) through the swivel assembly standoff posts into the threaded holes in the touch screen or docking station base. Make certain the cables are not twisted or crimped and have sufficient slack at the port connections before fully tightening screws.
5. Make certain the tab (**B**) on the swivel mount assembly is positioned toward the front of the swivel assembly and that it is directly opposite bent tab (**D**). Place the touch screen or docking station and swivel mount assembly down on the mounting surface.
6. Hold the metal plate in position under the mounting surface and secure the assembly in place using the four included #08-32 screws (**E**). Use the 5/8 inch screws for surfaces 3/4 inch (~19 mm) to 1 1/8 inches (~29 mm) thick. Use the 1 inch screws for surfaces 1 1/8 inches (~29 mm) to 1 3/8 inches (~35 mm) thick. Use screws (**C**) to adjust tension of the swivel assembly.

SMK-8T Swivel Mount Kit Assembly Diagram



Resources

Further Inquiries

To locate specific information or resolve questions after reviewing this guide, contact Crestron's True Blue Support at 1-888-CRESTRON [1-888-273-7876] or refer to the listing of Crestron worldwide offices on the Crestron Web site (www.crestron.com/offices) for assistance within a particular geographic region.

To post a question about Crestron products, log onto the Online Help section of the Crestron Web site (www.crestron.com/onlinehelp). First-time users must establish a user account to fully benefit from all available features.

Future Updates

As Crestron improves functions, adds new features and extends the capabilities of the SMK-8T, additional information may be made available as manual updates. These updates are solely electronic and serve as intermediary supplements prior to the release of a complete technical documentation revision.

Check the Crestron Web site periodically for manual update availability and its relevance. Updates are identified as an “Addendum” in the Download column.

Return and Warranty Policies

Merchandise Returns / Repair Service

1. No merchandise may be returned for credit, exchange or service without prior authorization from Crestron. To obtain warranty service for Crestron products, contact an authorized Crestron dealer. Only authorized Crestron dealers may contact the factory and request an RMA (Return Merchandise Authorization) number. Enclose a note specifying the nature of the problem, name and phone number of contact person, RMA number and return address.
2. Products may be returned for credit, exchange or service with a Crestron Return Merchandise Authorization (RMA) number. Authorized returns must be shipped freight prepaid to Crestron, 6 Volvo Drive, Rockleigh, N.J. or its authorized subsidiaries, with RMA number clearly marked on the outside of all cartons. Shipments arriving freight collect or without an RMA number shall be subject to refusal. Crestron reserves the right in its sole and absolute discretion to charge a 15% restocking fee plus shipping costs on any products returned with an RMA.
3. Return freight charges following repair of items under warranty shall be paid by Crestron, shipping by standard ground carrier. In the event repairs are found to be non-warranty, return freight costs shall be paid by the purchaser.

Crestron Limited Warranty

Crestron Electronics, Inc. warrants its products to be free from manufacturing defects in materials and workmanship under normal use for a period of three (3) years from the date of purchase from Crestron, with the following exceptions: disk drives and any other moving or rotating mechanical parts, pan/tilt heads and power supplies are covered for a period of one (1) year; touch screen display and overlay components are covered for 90 days; batteries and incandescent lamps are not covered.

This warranty extends to products purchased directly from Crestron or an authorized Crestron dealer. Purchasers should inquire of the dealer regarding the nature and extent of the dealer's warranty, if any.

Crestron shall not be liable to honor the terms of this warranty if the product has been used in any application other than that for which it was intended or if it has been subjected to misuse, accidental damage, modification or improper installation procedures. Furthermore, this warranty does not cover any product that has had the serial number altered, defaced or removed.

This warranty shall be the sole and exclusive remedy to the original purchaser. In no event shall Crestron be liable for incidental or consequential damages of any kind (property or economic damages inclusive) arising from the sale or use of this equipment. Crestron is not liable for any claim made by a third party or made by the purchaser for a third party.

Crestron shall, at its option, repair or replace any product found defective, without charge for parts or labor. Repaired or replaced equipment and parts supplied under this warranty shall be covered only by the unexpired portion of the warranty.

Except as expressly set forth in this warranty, Crestron makes no other warranties, expressed or implied, nor authorizes any other party to offer any warranty, including any implied warranties of merchantability or fitness for a particular purpose. Any implied warranties that may be imposed by law are limited to the terms of this limited warranty. This warranty statement supersedes all previous warranties.



Crestron Electronics, Inc.
15 Volvo Drive Rockleigh, NJ 07647
Tel: 888.CRESTRON
Fax: 201.767.7576
www.crestron.com

Installation Guide – DOC. 6573B
(2017769)

08.12

Specifications subject to
change without notice.