

Swivel Mount Kit for TS-70 Series

The Crestron® [TS-770/1070-SMK](#) provides a means to permanently mount a TS-770 or TS-1070 series tabletop touch screen to a table, desk, or countertop surface while retaining the ability to rotate the touch screen. The swivel range may be customized with optional limiting screws, allowing for a rotation range up to 330 degrees.



In the Box

- 1 TS-770/1070-SMK, Swivel Mount Kit

Additional Items

- 2 Nut, 1-14 (2047864)
- 3 Screw, 6-32 x 1/4 in., Flat Head, Phillips (2007217)
- 2 Screw, 8-32 x 1/8 in., Cap Head, Socket (2017634)
- 6 Screw, 8-8B x 1/2 in., Pan Head, Phillips (2017784)
- 1 Stop Plate, Swivel (4525464)
- 1 Template, Cutout (4531980)
- 1 Washer, Cork (2047823)
- 1 Washer, Flat, Steel (2047812)
- 1 Washer, Keyed (4525459)
- 1 Washer, Plastic (2047822)
- 1 Washer, Rubber (2047824)



Install the Swivel Mount Kit

Prepare the Mounting Surface

1. Prepare the mounting surface using the provided cutout template:
 - Secure the included template to a mounting location that allows the device to pivot fully on the surface.
 - Ensure that the arrow on the template points toward the front edge of the mounting surface.
 - The mounting surface must have a thickness of 1 in. (25 mm) to 1-3/8 in. (34 mm)
2. Use an appropriate table saw to cut a 1-1/16 in. (27 mm) hole for the swivel mechanism tube into the mounting surface at the marked location on the template.

Attach the Swivel Tube

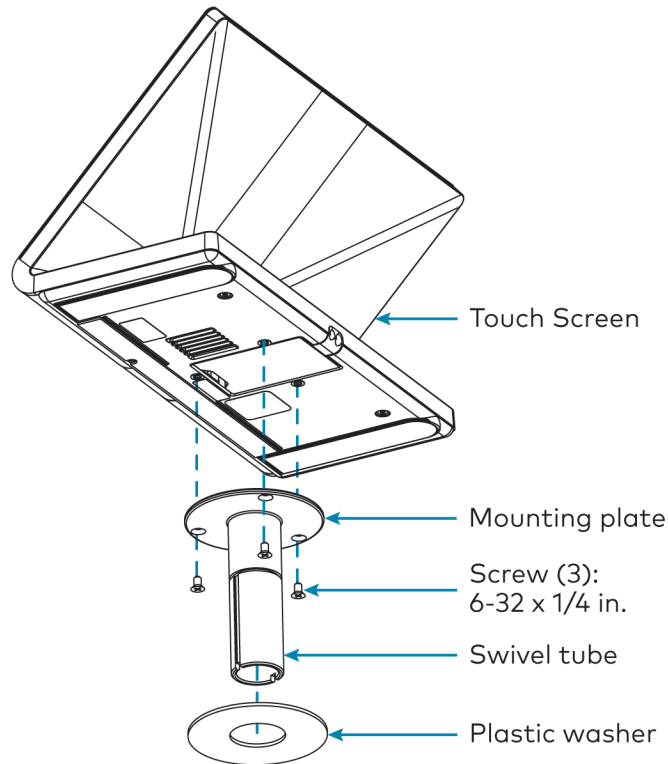
1. Route all device cables into the swivel mechanism tube from the top so that they exit the bottom of the tube.

NOTE: Route thicker cables first, followed by thinner cables.

2. Attach the mounting plate of the swivel mechanism tube to the bottom of the touch screen with the three 6-32 x 1/4 in. screws.
3. Remove the adhesive covering from the included plastic washer.

Swivel Mount Kit for TS-70 Series

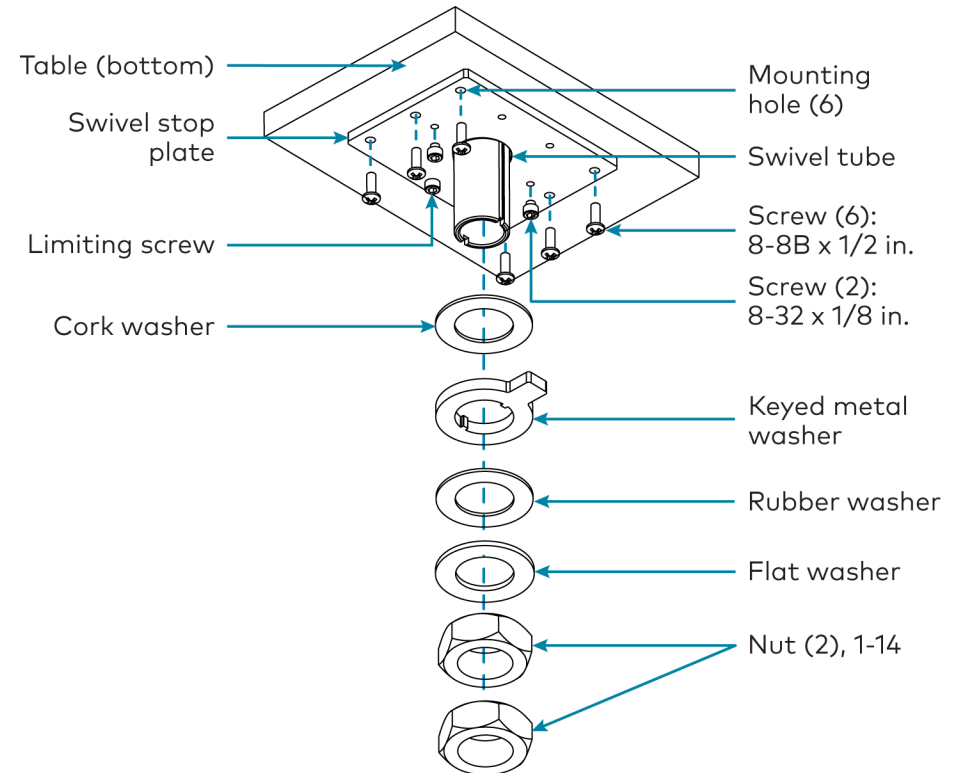
- Slide the plastic washer up and over the swivel mechanism tube, adhesive side first, and then affix the adhesive to the bottom of the tube mounting plate.



Secure the Swivel Mount

- Use the cutout template as a guide to attach the swivel stop plate to the bottom of the mounting surface with the six 8-8B x 1/2 in. screws. Refer to the following illustration for mounting hole locations on the swivel stop plate.
- Pass the device cables and the swivel mechanism tube down through the cutout hole and stop plate.

- Slide the provided mounting hardware up and over the swivel tube in the order shown in the illustration below.



NOTE: The keyed metal washer fits onto the swivel tube in one of two orientations: facing forward, or facing away from the permanent limiting screw in the swivel stop plate. Orient the tab on the washer to face away from the limiting screw.

Swivel Mount Kit for TS-70 Series

- Tighten and adjust the upper 1-14 nut onto the swivel tube to achieve the desired resistance in the swivel assembly motion.

NOTE: A flat tool (such as a large flat head screwdriver) can be placed in the slot on the bottom of the swivel tube to hold the tube in place while tightening the nut.

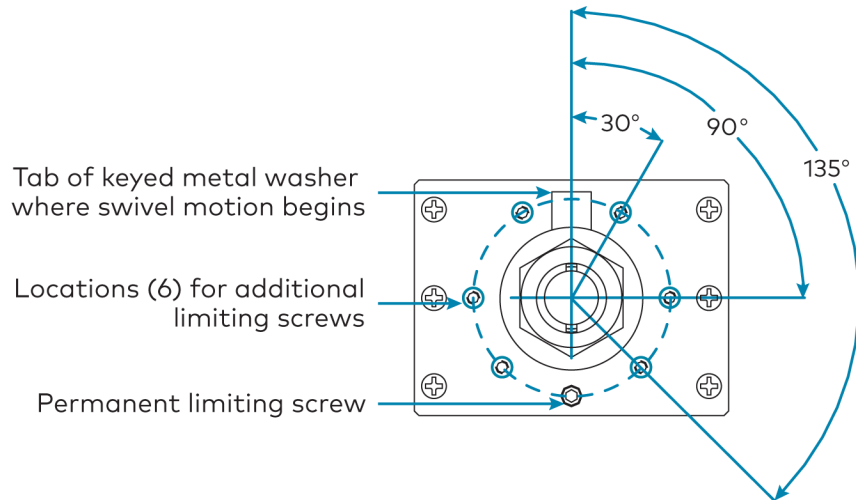
- Tighten the lower 1-14 nut manually to prevent the upper nut from slipping.



Customize the Swivel Range

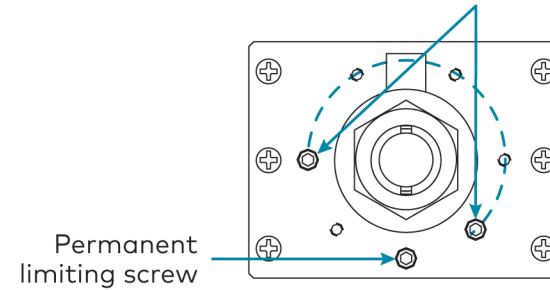
Aside from the permanent limiting screw that is attached to the swivel stop plate, two additional 8-32 x 1/8 in. limiting screws can be attached to the swivel mount plate to set a custom range for swivel movement.

Limiting Screw Locations in Swivel Stop Plate



Stop Plate with Additional Limiting Screws

8-32 x 1/8 in. limiting screws (2)
limit swivel to custom range



Visit the Product Page

Scan the QR code to visit the product page.

TS-770/1070-SMK



www.crestron.com/model/6511519

Swivel Mount Kit for TS-70 Series

Additional Information

Original Instructions

The U.S. English version of this document is the original instructions. All other languages are a translation of the original instructions.

Crestron product development software is licensed to Crestron dealers and Crestron Service Providers (CSPs) under a limited nonexclusive, nontransferable Software Development Tools License Agreement. Crestron product operating system software is licensed to Crestron dealers, CSPs, and end-users under a separate End-User License Agreement. Both of these Agreements can be found on the Crestron website at www.crestron.com/legal/software_license_agreement.

The product warranty can be found at www.crestron.com/warranty.

The specific patents that cover Crestron products are listed at www.crestron.com/legal/patents.

Certain Crestron products contain open source software. For specific information, visit www.crestron.com/opensource.

Crestron and the Crestron logo are either trademarks or registered trademarks of Crestron Electronics, Inc. in the United States and/or other countries. Other trademarks, registered trademarks, and trade names may be used in this document to refer to either the entities claiming the marks and names or their products. Crestron disclaims any proprietary interest in the marks and names of others. Crestron is not responsible for errors in typography or photography.

©2020 Crestron Electronics, Inc.

Doc. 8744A

05/28/20