

Crestron TST-600-DSW-BB
Wall Mount Back Box for TST-600-DSW
Installation Guide



Regulatory Compliance

This product is Listed to applicable UL Standards and requirements by Underwriters Laboratories Inc.



As of the date of manufacture, the TST-600-DSW-BB has been tested and found to comply with specifications for CE marking.



Product warranty can be found at www.crestron.com/warranty.

The specific patents that cover Crestron products are listed at patents.crestron.com.

Crestron and the Crestron logo are either trademarks or registered trademarks of Crestron Electronics, Inc. in the United States and/or other countries. Other trademarks, registered trademarks, and trade names may be used in this document to refer to either the entities claiming the marks and names or their products. Crestron disclaims any proprietary interest in the marks and names of others. *Crestron is not responsible for errors in typography or photography.*

This document was written by the Technical Publications department at Crestron.
©2014 Crestron Electronics, Inc.

Contents

Wall Mount Back Box for TST-600-DSW: TST-600-DSW-BB	1
Description.....	1
Setup	5
Supplied Hardware	5
Assembly	5
Mounting	5
Installation.....	8
Other Mounting Option Accessories	8
Resources.....	9
Reference Documents.....	9
Further Inquiries	9
Future Updates	9

Wall Mount Back Box for TST-600-DSW: TST-600-DSW-BB

Description

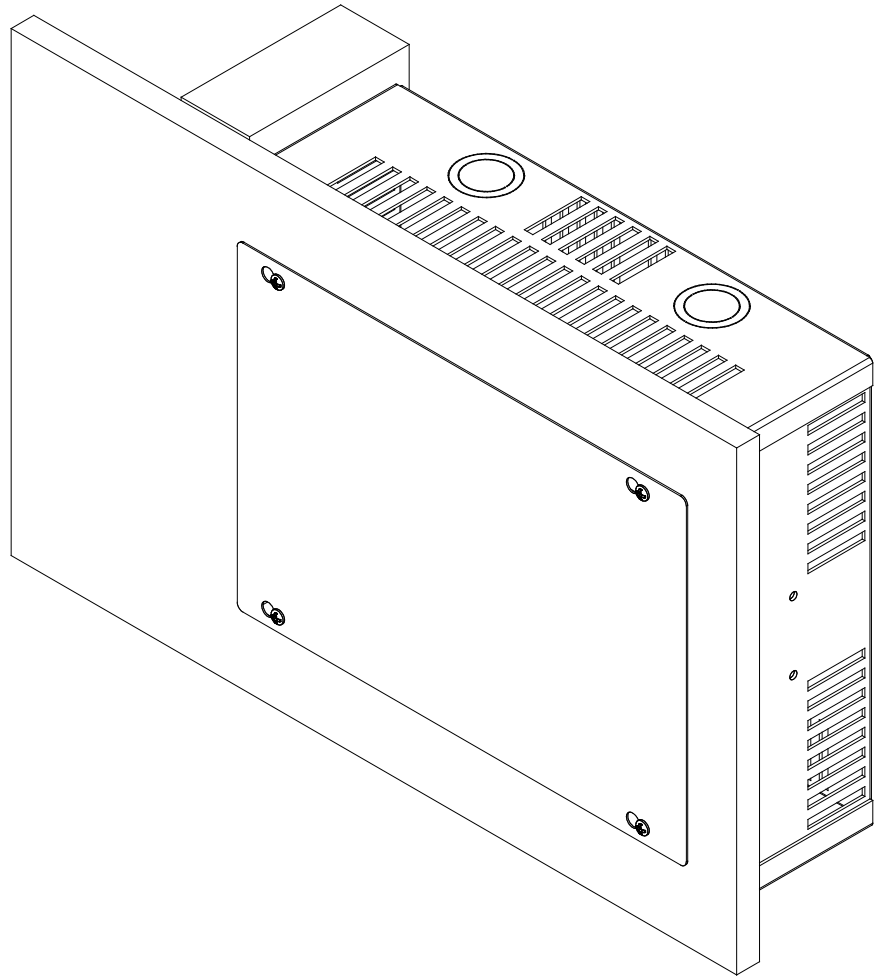
The TST-600-DSW-BB provides a UL[®]-listed, recess wall-mounted metal back box for the Crestron[®] TST-600-DSW Wall Mount Docking Station and the TST-600-WALL and TST-602-WALL Wall Mount Wireless Touch Screens. Designed for pre-construction applications, the TST-600-DSW-BB permits fastening to a stud in a framed wall prior to installation of drywall. Conduit knockouts are provided on the top and bottom. A blank cover plate is included to provide a temporary cover for the opening during construction.

NOTE: If mounting in a material other than drywall (for example, wood lectern, concrete or rock) use the cutout template, available in the post-construction kit TST-600-DSW-MMK or TST-600-DSW-TMK.

NOTE: For concrete and rock mounting material, allow for proper ventilation before mounting the TST-600-DSW.

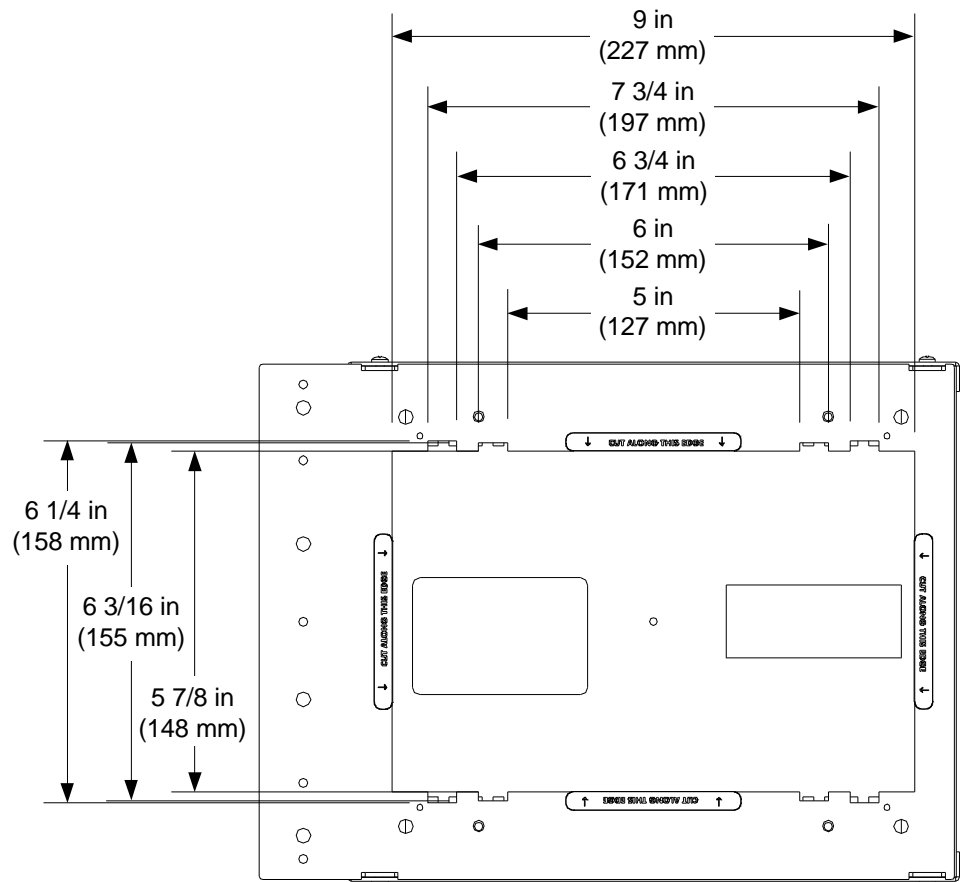
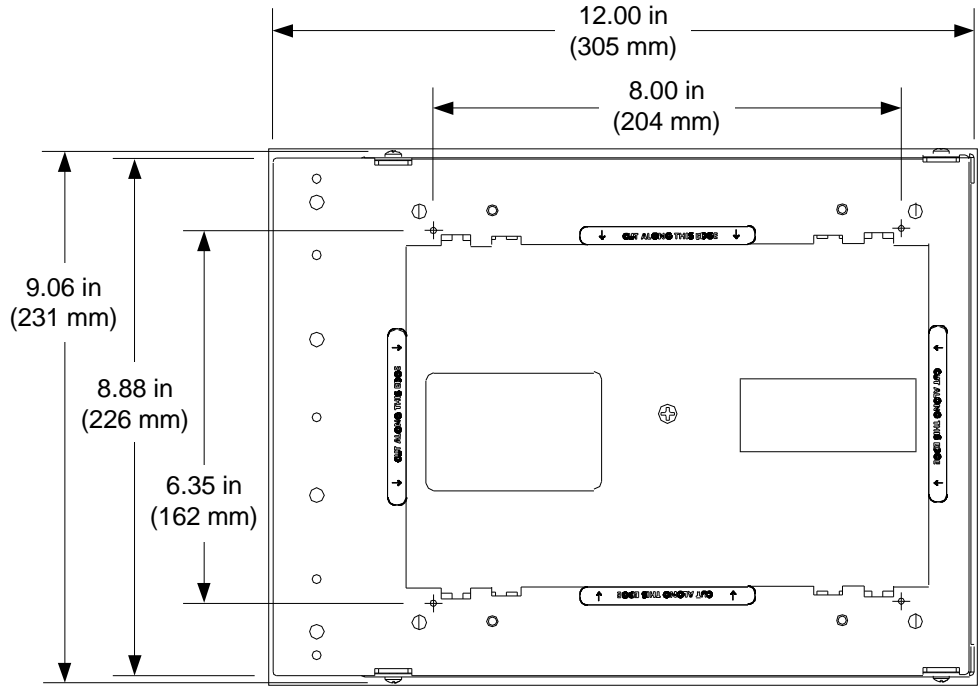
The mounted view of the TST-600-DSW-BB is shown in the following illustration.

TST-600-DSW-BB Mounted View (Optional Cover Plate Attached)

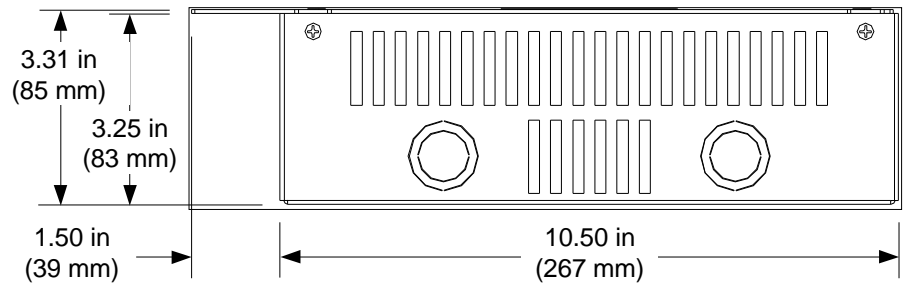


The dimensions of the TST-600-DSW-BB are shown in the following illustrations.

TST-600-DSW-BB Overall Dimensions (Front View)

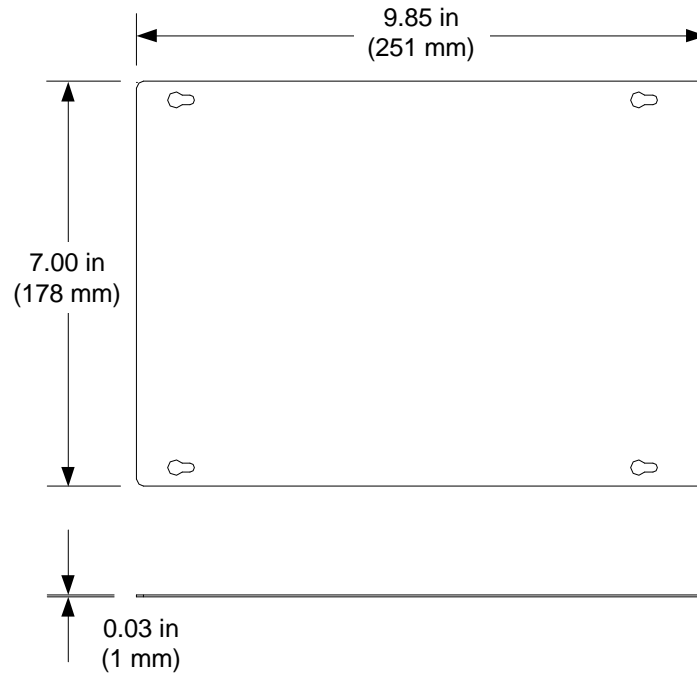


TST-600-DSW-BB Overall Dimensions (Bottom View)



NOTE: Knockout holes are intended for Class 2 wiring only and are 1/2" (13 mm) and 3/4" (19 mm) diameter.

TST-600-DSW-BB Overall Dimensions (Cover Plate)



Setup

Supplied Hardware

The hardware supplied with the TST-600-DSW-BB is listed in the following table.

Supplied Hardware for the TST-600-DSW-BB

DESCRIPTION	PART NUMBER	QUANTITY
Assembly, Wall Mount, Back Box	4507462	1
Metal, Plate, Blank, Cover	2022825	1
Screw, #06-32 x 1 1/2", Pan, Phil	2007254	4
Screw, #08-8B, 1/4", Pan, Phil	2007277	1

Assembly

Required Tools:

- #2 Phillips tip screwdriver

The back box mounting enclosure comes fully assembled except for a grounding screw. To prepare for mounting, complete the following procedure:

1. Remove knockouts as required.
2. Attach the supplied #08-8B self-tapping screw (2007277) to back box mounting enclosure assembly for grounding.

NOTE: The #08-8B self-tapping screw (2007277), supplied for grounding purposes, is installed in the rear of the back box mounting enclosure assembly.

Mounting

Required Tools and Materials:

- #2 Phillips tip screwdriver
- Level
- Standard drywall screws or nails (not included)

CAUTION: Allow an air gap of at least 12 inches (305 mm) in the wall cavity above and below the TST-600-DSW for heat dissipation.

NOTE: If the installation is not on wooden studs, be sure to consider the needs of the particular situation. For example, screw type may vary for steel studs.

To mount the back box, complete the following procedure (refer to illustration on the following page).

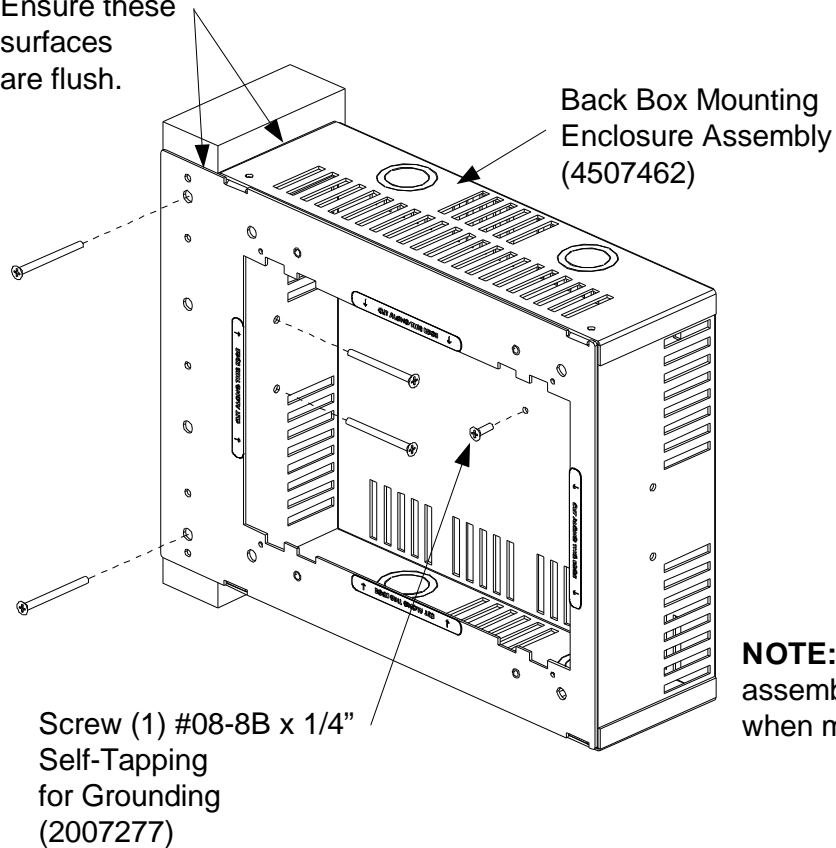
1. Position the back box against the stud so the extended edge of the attached mounting plate covers the front edge of the stud. Ensure the side of the back box is also against the side of the stud.

2. Use the level and verify the back box is horizontal. Leveling must be done before proceeding.
3. Attach the back box to the left or right side of the stud with standard drywall screws or nails (not included). If mounting to the left side of a stud, the back box must be turned over so the extended edge of the attached mounting plate is on the right side.
4. Feed cables through the knockout holes.

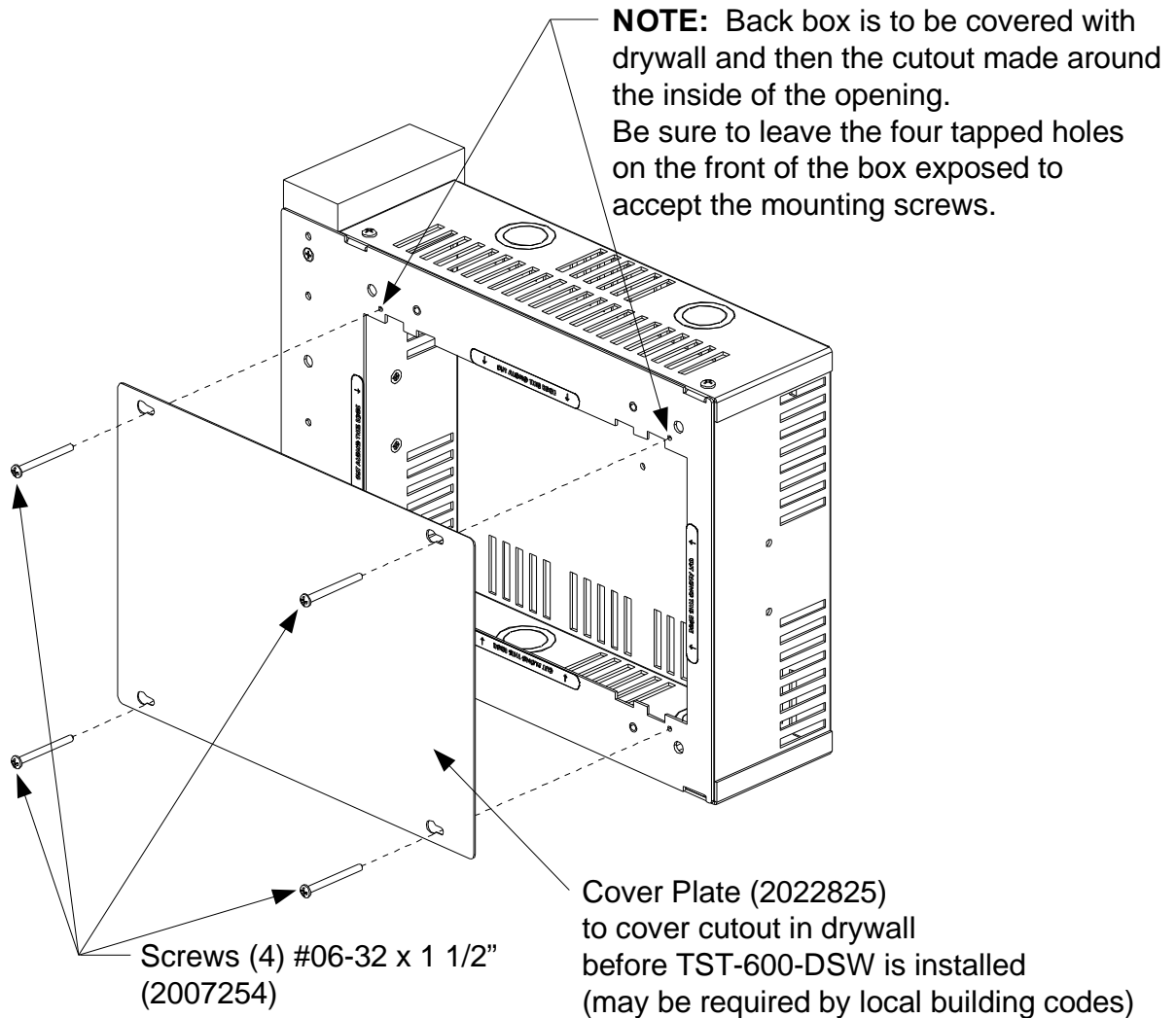
NOTE: This assembly should use Class 2 wiring only.

Mounting the Back Box

Ensure these surfaces are flush.



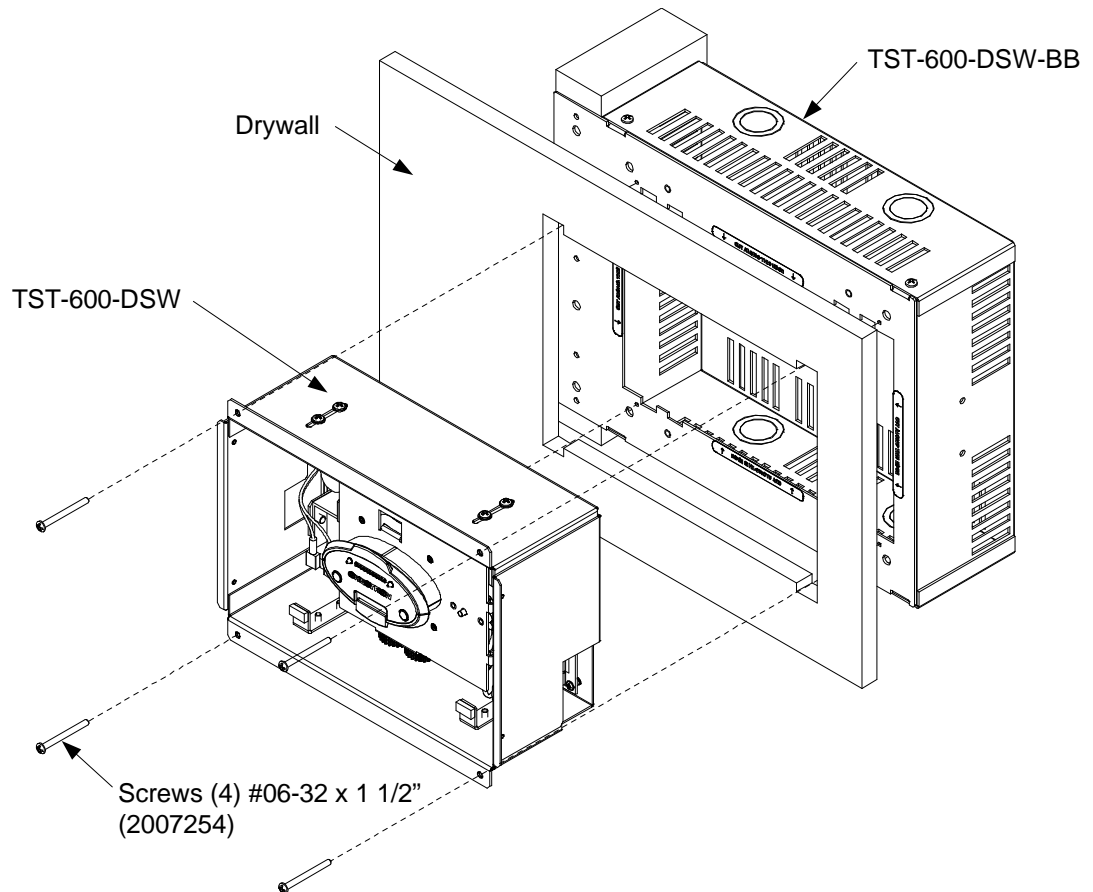
Mounted View with Cover Plate (Mounting Example Prior to Drywall Installation)



Installation

Complete the installation by either installing the TST-600-DSW, leaving the hole open (if permitted by local building codes) or installing the optional cover plate with the included #06-32 x 1 1/2" screws. If the TST-600-DSW is to be installed, refer to the latest version of the TST-600-DSW Operations & Installation Guide (Doc. 7434) for installation instructions. The document is available at www.crestron.com/manuals. Refer also to the following comprehensive illustration.

TST-600-DSW Mounting (Exploded View)



Other Mounting Option Accessories

If too much of the mounting plate is exposed after the drywall is cut, the area may need to be patched. Crestron provides the following accessories:

- TST-600-DSW-TMK (Doc. 7456): for smaller repairs and to provide a smooth edge at the opening. This option provides a finished appearance and is preferred when wallpaper is hung.
- TST-600-DSW-MMK (Doc. 7457): for larger repairs and to fill in larger irregularities around the opening (requires plastering).

The manuals for the TST-600-DSW-MMK and TST-600-DSW-TMK are available at www.crestron.com/manuals.

Resources

Reference Documents

All documents mentioned in this guide are available at www.crestron.com/manuals.

List of Related Reference Documents

DOCUMENT TITLE
TST-600-DSW Wall Mount Docking Station for TST-600
TST-600-DSW-MMK & TST-600-DSW-WMKM Mud Mount Kits for TST-600-DSW
TST-600-DSW-TTK & TST-600-DSW-WMKT Trim Ring Kits for TST-600-DSW

Further Inquiries

To locate specific information or resolve questions after reviewing this guide, contact Crestron's True Blue Support at 1-888-CRESTRON [1-888-273-7876] or, for assistance within a particular geographic region, refer to the listing of Crestron worldwide offices at www.crestron.com/offices.

To post a question about Crestron products, log onto Crestron's Online Help at www.crestron.com/onlinehelp. First-time users must establish a user account to fully benefit from all available features.

Future Updates

As Crestron improves functions, adds new features, and extends the capabilities of the TST-600-DSW-BB, additional information may be made available as manual updates. These updates are solely electronic and serve as intermediary supplements prior to the release of a complete technical documentation revision.

Check the Crestron website periodically for manual update availability and its relevance. Updates are identified as an "Addendum" in the Download column.

This page is intentionally left blank.

This page is intentionally left blank.



Crestron Electronics, Inc.
15 Volvo Drive Rockleigh, NJ 07647
Tel: 888.CRESTRON
Fax: 201.767.7576
www.crestron.com



**Installation Guide – DOC. 7455B
(2035129)**

12.14

Specifications subject to
change without notice.